

(19) World Intellectual Property Organization
International Bureau



(43) International Publication Date
10 January 2008 (10.01.2008)

PCT

(10) International Publication Number
WO 2008/005128 A3

(51) International Patent Classification:
F01M 11/04 (2006.01)

(21) International Application Number:
PCT/US2007/012806

(22) International Filing Date: 31 May 2007 (31.05.2007)

(25) Filing Language: English

(26) Publication Language: English

(30) Priority Data:
60/817,432 29 June 2006 (29.06.2006) US
11/796,772 30 April 2007 (30.04.2007) US

(71) Applicant (for all designated States except US): **ILLINOIS TOOL WORKS INC.** [US/US]; 3600 West Lake Avenue, Glenview, IL 60026 (US).

(72) Inventors; and

(75) Inventors/Applicants (for US only): **STLASKE, William, G.** [US/US]; 3600 West Lake Avenue, Glenview, IL 60026 (US). **JONES, James, D., Jr.** [US/US]; 3600 West Lake Avenue, Glenview, IL 60026 (US). **HEAVENS, Glenn, G.** [US/US]; 3600 West Lake Avenue, Glenview, IL 60026 (US). **HOLT, Jason** [US/US]; 3600 West Lake Avenue, Glenview, IL 60026 (US). **VAN BOVEN, Erwin, W.** [US/US]; 3600 West Lake Avenue, Glenview, IL 60026 (US).

(74) Agent: **HAUPTMAN, Benjamin, J.**; Lowe Hauptman & Berner, LLP, 1700 Diagonal Road, Suite 300, Alexandria, VA 22314 (US).

(81) Designated States (unless otherwise indicated, for every kind of national protection available): AE, AG, AL, AM, AT, AU, AZ, BA, BB, BG, BH, BR, BW, BY, BZ, CA, CH, CN, CO, CR, CU, CZ, DE, DK, DM, DO, DZ, EC, EE, EG, ES, FI, GB, GD, GE, GH, GM, GT, HN, HR, HU, ID, IL, IN, IS, JP, KE, KG, KM, KN, KP, KR, KZ, LA, LC, LK, LR, LS, LT, LU, LY, MA, MD, ME, MG, MK, MN, MW, MX, MY, MZ, NA, NG, NI, NO, NZ, OM, PG, PH, PL, PT, RO, RS, RU, SC, SD, SE, SG, SK, SL, SM, SV, SY, TJ, TM, TN, TR, TT, TZ, UA, UG, US, UZ, VC, VN, ZA, ZM, ZW.

(84) Designated States (unless otherwise indicated, for every kind of regional protection available): ARIPO (BW, GH, GM, KE, LS, MW, MZ, NA, SD, SL, SZ, TZ, UG, ZM, ZW), Eurasian (AM, AZ, BY, KG, KZ, MD, RU, TJ, TM), European (AT, BE, BG, CH, CY, CZ, DE, DK, EE, ES, FI, FR, GB, GR, HU, IE, IS, IT, LT, LU, LV, MC, MT, NL, PL, PT, RO, SE, SI, SK, TR), OAPI (BF, BJ, CF, CG, CI, CM, GA, GN, GQ, GW, ML, MR, NE, SN, TD, TG).

Published:
— with international search report

[Continued on next page]

(54) Title: DRAIN VALVE

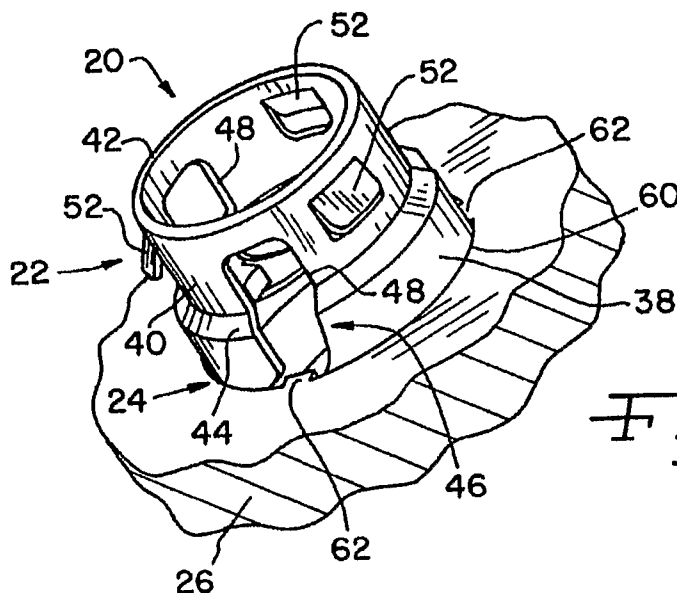


Fig. 1

(57) Abstract: A drain valve (20) for an oil pan (26) of a vehicle lubrication system includes an aperture (24) and a drain plug (22). The drain plug is rotatable relative to the aperture (24) between closed and opened positions with less than a full rotation of the plug. The plug (22) remains secured to the aperture even when the valve is opened.

WO 2008/005128 A3



— *before the expiration of the time limit for amending the claims and to be republished in the event of receipt of amendments*

(88) Date of publication of the international search report:
5 March 2009

INTERNATIONAL SEARCH REPORT

International application No
PCT/US2007/012806

A. CLASSIFICATION OF SUBJECT MATTER
INV. F01M11/04

According to International Patent Classification (IPC) or to both national classification and IPC

B. FIELDS SEARCHED

Minimum documentation searched (classification system followed by classification symbols)
F01M

Documentation searched other than minimum documentation to the extent that such documents are included in the fields searched

Electronic data base consulted during the international search (name of data base and, where practical, search terms used)

C. DOCUMENTS CONSIDERED TO BE RELEVANT

Category*	Citation of document, with indication, where appropriate, of the relevant passages	Relevant to claim No.
X	US 4 717 119 A (TRIN PIERRE [FR]) 5 January 1988 (1988-01-05) the whole document	1-3,8-12
X	FR 2 549 532 A (VALEO [FR]) 25 January 1985 (1985-01-25) figures 1-9 abstract	1,8-12
Y	DE 38 17 981 C1 (DAIMLER-BENZ AG, 7000 STUTTGART, DE) 29 December 1988 (1988-12-29) figures 1-6 abstract	1,6,7
Y	US 5 628 601 A (POPE ROBERT [US]) 13 May 1997 (1997-05-13) figure 1 abstract	1,6,7

Further documents are listed in the continuation of Box C.

See patent family annex.

* Special categories of cited documents :

- *A* document defining the general state of the art which is not considered to be of particular relevance
- *E* earlier document but published on or after the international filing date
- *L* document which may throw doubts on priority claim(s) or which is cited to establish the publication date of another citation or other special reason (as specified)
- *O* document referring to an oral disclosure, use, exhibition or other means
- *P* document published prior to the international filing date but later than the priority date claimed

- *T* later document published after the international filing date or priority date and not in conflict with the application but cited to understand the principle or theory underlying the invention
- *X* document of particular relevance; the claimed invention cannot be considered novel or cannot be considered to involve an inventive step when the document is taken alone
- *Y* document of particular relevance; the claimed invention cannot be considered to involve an inventive step when the document is combined with one or more other such documents, such combination being obvious to a person skilled in the art.
- * & * document member of the same patent family

Date of the actual completion of the international search

30 December 2008

Date of mailing of the international search report

14/01/2009

Name and mailing address of the ISA/
European Patent Office, P.B. 5818 Patentlaan 2
NL - 2280 HV Rijswijk
Tel. (+31-70) 340-2040,
Fax: (+31-70) 340-3016

Authorized officer

Flamme, Emmanuel

INTERNATIONAL SEARCH REPORT

Information on patent family members

International application No

PCT/US2007/012806

Patent document cited in search report		Publication date	Patent family member(s)	Publication date
US 4717119	A	05-01-1988	ES 2002822 A6	01-10-1988
			FR 2588367 A1	10-04-1987
			IT 1195182 B	12-10-1988
FR 2549532	A	25-01-1985	NONE	
DE 3817981	C1	29-12-1988	NONE	
US 5628601	A	13-05-1997	NONE	