

(19) World Intellectual Property Organization  
International Bureau



(43) International Publication Date  
20 June 2002 (20.06.2002)

PCT

(10) International Publication Number  
WO 02/49236 A2

(51) International Patent Classification<sup>7</sup>: H04B 7/00

(21) International Application Number: PCT/US01/46602

(22) International Filing Date: 5 December 2001 (05.12.2001)

(25) Filing Language: English

(26) Publication Language: English

(30) Priority Data:  
60/255,098 13 December 2000 (13.12.2000) US

(71) Applicant: INTERDIGITAL TECHNOLOGY CORPORATION [US/US]; 300 Delaware Avenue, Suite 527, Wilmington, DE 19801 (US).

(72) Inventors: KIM, Younglok; 1090 Kingsland Lane, Fort Lee, NJ 07024 (US). ZEIRA, Ariela; 239 West Neck Road, Huntington, NY 11743 (US).

(74) Agents: VOLPE, Anthony, S. et al.; Volpe and Koenig, P.C., Suite 400, 400 One Penn Center, 1617 John F. Kennedy Boulevard, Philadelphia, PA 19103 (US).

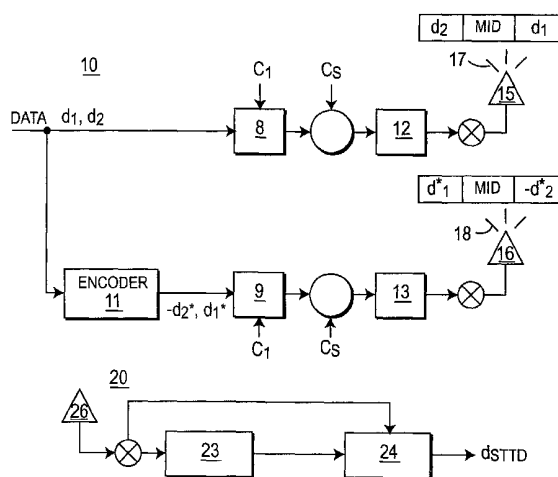
(81) Designated States (*national*): AE, AG, AL, AM, AT, AU, AZ, BA, BB, BG, BR, BY, BZ, CA, CH, CN, CO, CR, CU, CZ, DE, DK, DM, DZ, EC, EE, ES, FI, GB, GD, GE, GH, GM, HR, HU, ID, IL, IN, IS, JP, KE, KG, KP, KR, KZ, LC, LK, LR, LS, LT, LU, LV, MA, MD, MG, MK, MN, MW, MX, MZ, NO, NZ, OM, PH, PL, PT, RO, RU, SD, SE, SG, SI, SK, SL, TJ, TM, TR, TT, TZ, UA, UG, UZ, VN, YU, ZA, ZW.

(84) Designated States (*regional*): ARIPO patent (GH, GM, KE, LS, MW, MZ, SD, SL, SZ, TZ, UG, ZM, ZW), Eurasian patent (AM, AZ, BY, KG, KZ, MD, RU, TJ, TM), European patent (AT, BE, CH, CY, DE, DK, ES, FI, FR, GB, GR, IE, IT, LU, MC, NL, PT, SE, TR), OAPI patent (BF, BJ, CF, CG, CI, CM, GA, GN, GQ, GW, ML, MR, NE, SN, TD, TG).

Published:  
— without international search report and to be republished upon receipt of that report

For two-letter codes and other abbreviations, refer to the "Guidance Notes on Codes and Abbreviations" appearing at the beginning of each regular issue of the PCT Gazette.

(54) Title: MODIFIED BLOCK SPACE TIME TRANSMIT DIVERSITY ENCODER



MID = MIDAMBLE

(57) Abstract: The present invention is a system and method for transmitting data symbols in a CDMA communication system including a transmitter having an antenna array and a receiver. The system generates a first and second data field of symbols, then encodes them to produce complex conjugates of the respective symbols. A first communication burst including the first and second data fields, which are separated by a midamble, over a first antenna, and a second communication burst produced using said complex conjugates of said first and second data fields, which are separated by a midamble, over a second antenna are then transmitted by the transmitter. The receiver then receives and decodes the first and second communication bursts to recover the first and second data fields.

WO 02/49236 A2



second data field is produced by modifying the first data field. The negation of the conjugate of  $D_{12}$ ,  $-D_{12}^*$ , is the first portion of the second data field and the conjugate of  $D_{11}$ ,  $D_{11}^*$ , is the second portion. The second data field is simultaneously transmitted by the second antenna. This type of system results in the joint detection implemented at the receiver needing only to estimate the same amount of symbols as in the case of a single transmit antenna. A block diagram of this system is illustrated in Figure 1.

[0008] Neglecting the cross interference between the blocks the received signal model can be approximated as

$$\begin{bmatrix} \vec{r} \\ \vec{r}_2^* \end{bmatrix} = \underbrace{\begin{bmatrix} A_{11} & -B_{11} \\ B_{22}^* & A_{22}^* \end{bmatrix}}_E \cdot \begin{bmatrix} \vec{d}_1 \\ \vec{d}_2^* \end{bmatrix} + \begin{bmatrix} \vec{n}_1 \\ \vec{n}_2^* \end{bmatrix} \quad \text{Equation 1}$$

where

$$\begin{aligned} \vec{d}_1 &= [S_1, S_2, \dots, S_{N/2}]^T \\ \vec{d}_2 &= [S_{N/2+1}, S_{N/2+2}, \dots, S_N]^T \end{aligned}$$

are the vector forms of the transmit symbol sequences.  $A_{ij}$  and  $B_{ij}$  are the sub-matrices of the banded propagation matrices  $A$  and  $B$  according to the channels from antenna 1 and 2 to a specific user respectively. They are rewritten by the following (2 x 2) block matrix representations:

$$A = \begin{bmatrix} A_{11} & 0 \\ A_{21} & A_{22} \end{bmatrix}, \quad B = \begin{bmatrix} B_{11} & 0 \\ B_{21} & B_{22} \end{bmatrix}.$$

Each column of the matrices  $A$  and  $B$  is the shifted versions of the convolution of the spreading code and the channel impulse response from the first and diversity antennas respectively.

[0009] The model of Equation 1 can be solved using a MMSE BLE by

$$\begin{bmatrix} \vec{d}_{mmse1} \\ \vec{d}_{mmse2}^* \end{bmatrix} = D^{-1} \cdot E^H \begin{bmatrix} \vec{r}_1 \\ \vec{r}_2^* \end{bmatrix}, \quad \text{with } D = E^H E + \sigma_n^2 I \quad \text{Equation 2}$$

where  $\sigma_n^2$  is the variance of the additive white Gaussian noise. It can be simplified using the sub-block matrix manipulations and banded Toeplitz approximations.

[00010] The problem with the above-transmit diversity system is that the first and second portion,  $D_{11}$ ,  $D_{12}$  of the first data field requires the same number of symbols in each of the portions. Some TDD data fields include an odd number of symbols. Therefore, when the data field is split into two portions, the portions have a different number of symbols. A method to deal with this inequality must be implemented. One approach duplicates the first symbol to alleviate this problem. Other approaches are known in the art. Utilizing one of these methods results in additional computations for joint detection at the receiver. In particular, the first symbol is not STTD encoded, and hence the STTD encoder output becomes:

$$S_1, -(S_{(N+1)/2+1}, S_{(N+1)/2+2}, \dots, S_N)^*, \quad (S_2, S_3, \dots, S_{(N+1)/2})^*$$

[00011] Furthermore, the initial approximation by eliminating the center elements of Equation 1 introduces a small error in the joint detection process.

[00012] Accordingly, there exists a need for other transmit diversity systems.

[00013] SUMMARY

[00014] The present invention is a system and method for transmitting data symbols in a CDMA communication system including a transmitter having an antenna array and a receiver. The system generates a first and second data field of symbols, then encodes them to produce complex conjugates of the respective symbols. A first communication burst including the first and second data fields, which are separated by a midamble, over a first antenna, and a second communication burst produced using said complex conjugates of said first and second data fields, which are separated by a

midamble, over a second antenna are then transmitted by the transmitter. The receiver then receives and decodes the first and second communication bursts to recover the first and second data fields.

[00015] BRIEF DESCRIPTION OF THE DRAWINGS

[00016] Figure 1 is a block diagram of a prior art communication system employing space-time transmit diversity.

[00017] Figure 2 is a block diagram of a transmitter and receiver in a communication system in accordance with the preferred embodiment of the present invention.

[00018] Figure 3 is a flow diagram of the transmit diversity system of the present invention

[00019] Figure 4 is a graphical illustration of the performance of the present invention.

[00020] DETAILED DESCRIPTION OF THE PREFERRED EMBODIMENTS

[00021] Figure 2 is a block diagram of a transmitter 10, preferably located at a base station, and a receiver 20, preferably located at a user equipment (UE), in a CDMA communication system in accordance with the preferred embodiment of the present invention. Although it is preferable to have the transmitter located at a base station and the receiver located at the UE, the receiver and transmitter may switch locations and the present invention operate on an uplink communication. The transmitter 10 comprises a block encoder 11, a plurality of channelization devices 8, 9, a plurality of spreading sequence insertion devices 12, 13, and a plurality of antennas 15, 16. Although Figure 1 illustrates a transmitter comprising two (2) antennas, it should be apparent to those having skill in the art that more than two (2) antennas may be used, such as N antennas.

[00022] A typical communication burst has two data fields separated by a midamble sequence. Data to be transmitted by the transmitter 10 is produced by a data generator (not shown). The resulting data symbols ( $S_{11}, S_{12}, \dots, S_{1x}$ ) of the first data field and ( $S_{21}, S_{22}, \dots, S_{2x}$ ) of the second data field, represented as  $d_1$  and  $d_2$  respectively, are forwarded to the first channelization device 8 and the block encoder 11. Preferably, the block encoder 11 is a block space time transmit diversity (BSTTD) encoder. The block encoder 11 encodes the input symbols of both data fields  $d_1, d_2$  and generates the complex conjugate of  $d_1$  and the negation of the complex conjugate of  $d_2$ :  $d_1^*, -d_2^*$ . The encoder 11 also changes the order of the data fields so that  $-d_2^*$  is ahead of  $d_1^*$ .

[00023] Once the complex conjugates have been generated and the order changed, the encoder 11 forwards the two data fields  $-d_2^*, d_1^*$  to a second channelization device 9. The first and second channelization devices 8, 9 spread their respective data fields using the same channelization code. The first channelization device spreading data fields  $d_1, d_2$  and the second channelization device spreading data fields  $-d_2^*, d_1^*$ . The spread data fields from each of the channelization devices 8, 9 are then scrambled using a scrambling code associated with the transmitter 10.

[00024] After each spread data field is scrambled, they are forwarded to a first and second training sequence insertion device 12, 13, respectively. Spread data fields  $d_1, d_2$  are forwarded to the first training sequence device 12 and spread data fields  $-d_2^*, d_1^*$  are forwarded to the second training sequence device 13. The training sequence devices 12, 13 insert between the spread data fields associated with each respective sequence device 12, 13 a first and second midamble, respectively. The first midamble is associated with a first of the plurality of antennas 15 and the second midamble is associated with a second of the plurality of antennas 15. The insertion of the midamble between the spread data fields produces two communication bursts 17, 18, respectively. A typical communication burst 17 has the midamble, a guard period, and two data fields  $d_1, d_2$ , as shown in Figure 2. The two bursts 17, 18 are modulated

and simultaneously transmitted to the receiver 20 over antenna 15 and diversity antenna 16, respectively.

[00025] Referring back to Figure 2, the receiver 20 comprises two joint detection devices (JD) 24, a BSTTD decoder 22, a channelization device 23, and an antenna 26. The antenna 26 of the UE receives various RF signals including the communication bursts 12, 18 from the transmitter 10. The RF signal are then demodulated to produce a baseband signal.

[00026] The baseband signal is then forwarded to the JD 24 and the channel estimation device 23. The channel estimation device 23 provides channel information, such as channel impulse responses, to the JD 24. The JD 24 are coupled to the channel estimation device 23 and the BSTTD decoder utilizes the channel information and the channelization codes to detect the data fields  $d_1$ ,  $d_2$ ,  $-d_2^*$ ,  $d_1^*$  of the transmitted communication bursts 17, 18 in the received signal. The exact received signal model in accordance with the preferred embodiment of the present invention can be represented by:

$$\begin{bmatrix} r_1 \\ r_2^* \end{bmatrix} = \begin{bmatrix} A - B \\ B^* A^* \end{bmatrix} \begin{bmatrix} d_1 \\ d_2^* \end{bmatrix} + \begin{bmatrix} n_1 \\ n_2^* \end{bmatrix}$$

Equation 3

where  $r_1$  and  $r_2$  are the received signals, and  $d_1$  and  $d_2$  are the transmitted symbol sequence of the first and second data fields, respectively. As those skilled in the art know, A and B are the banded propagation matrices according to the channels from antennas 15 and 16. Since the  $d_1$  and  $d_2$  are bordered by the guard period and the midamble, which is typically cancelled, the middle terms of the within a data field encoding drop out. Accordingly, Equation 3 is not an approximation.

[00027] The JDs 24, 25 may use any type of data detection method and, preferably, which utilizes the above representation of the received signal. Preferably, a minimum means square encoder block linear equalizer (MMSE BLE) method is used for data detection. The MMSE BLE based data detection is written by

$$\begin{bmatrix} d_{mmse1} \\ d_{mmse2}^* \end{bmatrix} = D^{-1} \begin{bmatrix} d_{wmf1} \\ d_{wmf2}^* \end{bmatrix} \tag{Equation 4}$$

4

where

$$D = E^H E + \sigma_n^2 I = \begin{bmatrix} D_{11} & D_{21}^H \\ D_{21} & D_{11}^* \end{bmatrix} \tag{Equation 5}$$

5

with

$$\begin{aligned} D_{11} &= A^H A + (B^H B)^* + \sigma_n^2 I \\ D_{21} &= (B^H A)^T - B^H A \end{aligned}$$

( $\cdot$ )<sup>T</sup>, ( $\cdot$ )<sup>H</sup> and ( $\cdot$ )<sup>\*</sup> denote the transpose, complex conjugate transpose and complex conjugate functions, respectively. Using the cycle reduction for the Cholesky decomposition of the banded Toeplitz matrix together with some sub-matrix manipulation, the data fields  $d_1$ ,  $d_2$ ,  $-d_2^*$ ,  $d_1^*$  are estimated by the JD 24 using the block STTD BLE-JD algorithm, for example.

[00028] The flow diagram of the communication system the present invention is illustrated in Figure 3. A data generator generates data to be transmitted to the receiver 20 (Step 301). The data fields  $d_1$ ,  $d_2$  are forwarded to the block encoder 11 and the first channelization device 8 (Step 302). The sub-data fields forwarded to the block encoder 11 are encoded (Step 303) and forwarded to the second channelization device 9 (Step 304). Each channelization device 8, 9 spreads their respective data field input using a channelization code (Step 305). The two spread signals are then scrambled, using the scrambling code associated with the transmitter 10 (Step 306) and transmitted to the receiver 20 over diversity antennas 15, 16 (Step 307).

[00029] The receiver 20 receives an RF communication signal including the two spread signals from the diversity antennas 15, 16 (Step 308), demodulates the signal and forwards the demodulated signal to the channel estimation device 23 and joint detection device 24 (Step 309). The received signal is processed by the channel

estimation device 23 (Step 310) and the channel information is applied by the joint detection devices 24, 25 along with the channelization codes, to estimate and decode the transmit symbols from the diversity antennas 15, 16 (Step 311), yielding the data fields soft symbols.

[00030] The system of the preferred embodiment provides an efficient method of transmitting data using block space time transmit diversity over a CDMA communication system. Figure 4 is a graphical illustration of the performance of the system of the present invention, BSTTD based on two data fields, versus the conventional BSTTD based on one data field. The improved performance of the present invention is partly due to the fact that the interference between the two data fields is not introduced, due to the midamble and guard period separation between them. The present invention also eliminates the need for the receiver to compensate for the unequal data field portion encoding by using the first symbol twice or implementing some other method of compensation providing a less complex system when transmitting a data field with an odd number of symbols.

\* \* \*

## CLAIMS

What is claimed is:

1. A method for transmitting data symbols in a CDMA communication system including a transmitter having an antenna array and a receiver, the method comprising the steps of:

generating a first and second data field of symbols;

encoding said first and second data field producing complex conjugates of the symbols of said first and second data field;

transmitting from the said transmitter a first communication burst including said first and second data fields separated by a midamble over a first antenna and a second communication burst produced using said complex conjugates of said first and second data fields separated by a midamble over a second antenna; and

receiving and decoding at said receiver said first and second communication bursts to recover said first and second data fields.

2. The method of claim 1 wherein said encoding includes producing the negation of said complex conjugates of said second data field symbols.

3. The method of claim 2 further comprising the step of generating said first and second communication burst wherein said first communication burst comprises said first data field followed by said first burst midamble followed by said second data field; and

said second communication burst comprises said negative complex conjugate of said second data field followed by said second burst midamble followed by said complex conjugate of said first data field.

4. The method of claim 3 wherein said receiving and decoding step comprises:

estimating a channel response of said first and second communication bursts using said bursts' midambles; and

detecting the symbols of said first and second communication bursts in response to said channel response.

5. The method of claim 4 wherein a base station includes said receiver and a user equipment includes said transmitter.

6. The method of claim 4 wherein a user equipment (UE) includes said receiver and a base station includes said transmitter.

7. A CDMA communication system including a base station and a user equipment (UE), comprising:

an encoder which encodes a first and second data field of symbols to produce complex conjugates of the symbols of said first and second data fields;

a first and second antenna of a transmitter which transmits RF signals including a first and second communication burst, wherein said first communication burst including said first and second data fields separated by a midamble is transmitted by said first antenna and said second communication burst produced using said complex conjugates of said first and second data fields separated by a midamble is transmitted by said second antenna; and

a receiver comprising a decoder which decodes said RF signals to recover said first and second data fields.

8. The system of claim 7 wherein said encoder negates said complex conjugate of said second data field.

9. The system of claim 8 wherein said transmitter further comprises:  
a first burst generator, associated with said first antenna, which generates a first communication burst including said first data field followed by said first burst midamble followed by said second data field; and  
a second burst generator, associated with said second antenna, which generates a second communication burst including said negated complex conjugate of said second data field followed by said second burst midamble followed by said complex conjugate of said first data field.
10. The system of claim 9 wherein said base station includes said receiver and said UE includes said transmitter.
11. The system of claim 9 wherein said UE includes said receiver and said base station includes said receiver.
12. A transmitter which transmits data symbols in a CDMA communication system including a base station and a user equipment (UE), said transmitter comprising:  
an encoder which encodes a first and second data field of symbols to produce complex conjugates of the symbols of said first and second data fields; and  
a first and second antenna which transmit RF signals including a first and second communication burst, wherein said first communication burst including said first and second data fields separated by a midamble is transmitted by said first antenna and said second communication burst produced using said complex conjugates of said first and second data fields separated by a midamble is transmitted by said second antenna.

13. The transmitter of claim 12 wherein said encoder negates said complex conjugate of said second data field.

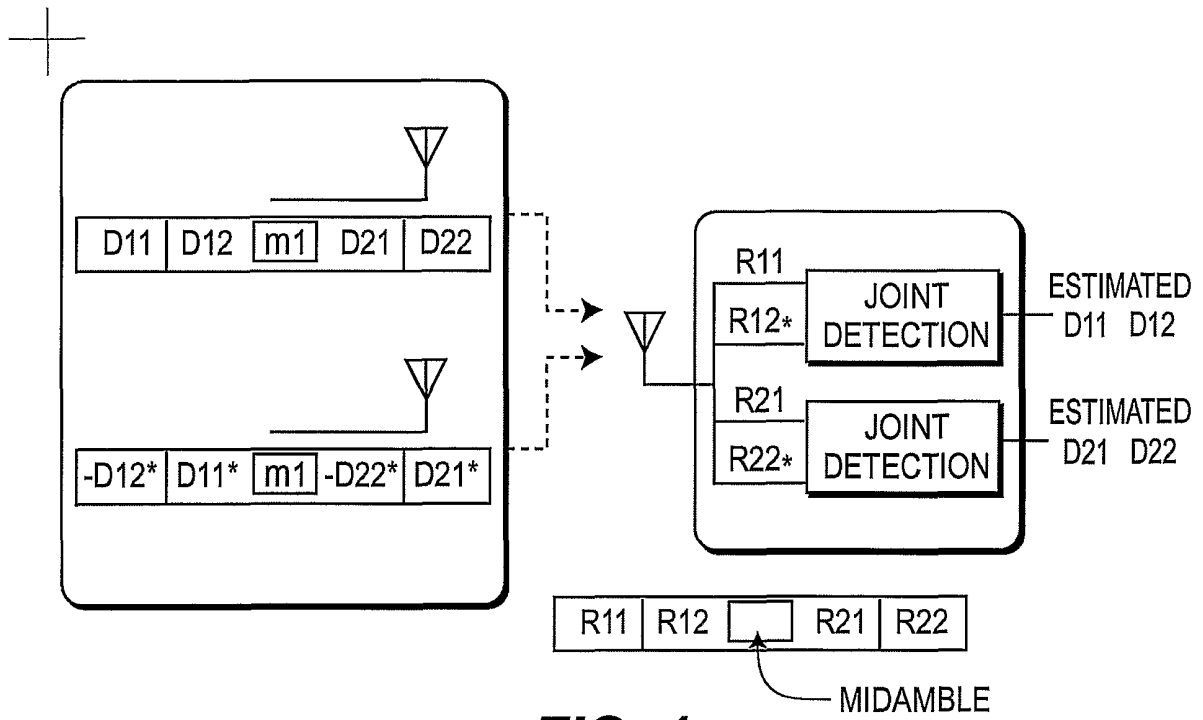
14. The transmitter of claim 13 further comprising:

a first burst generator, associated with said first antenna, which generates said first communication burst including said first data field followed by said first burst midamble followed by said second data field; and

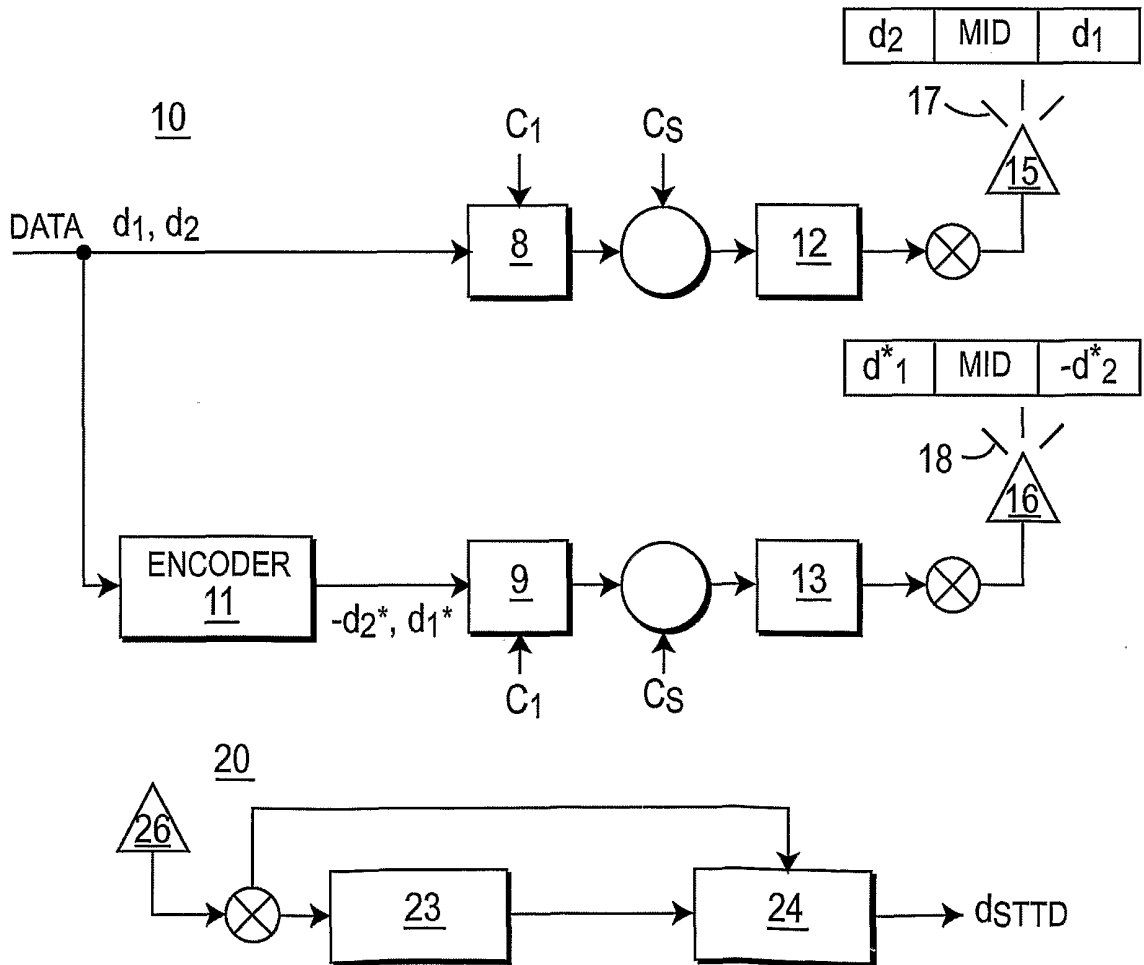
a second burst generator, associated with said second antenna, which generates said second communication burst including said negated complex conjugates of said second data field followed by said second burst midamble followed by said complex conjugates of said first data field.

15. The transmitter of claim 14 wherein said base station includes said receiver and said UE includes said transmitter.

16. The transmitter of claim 14 wherein said UE includes said receiver and said base station includes said receiver.



**FIG. 1**



**FIG. 2**

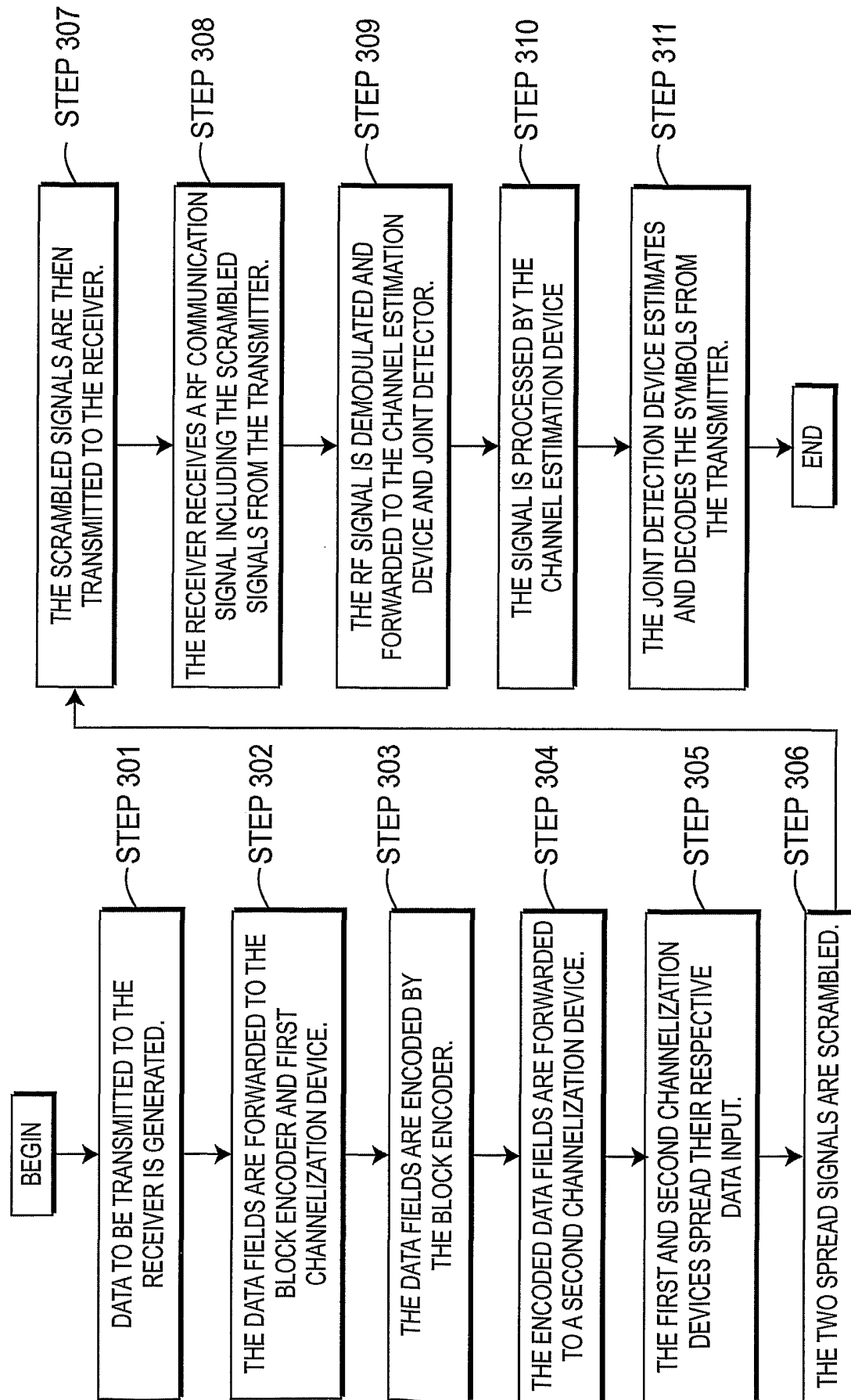
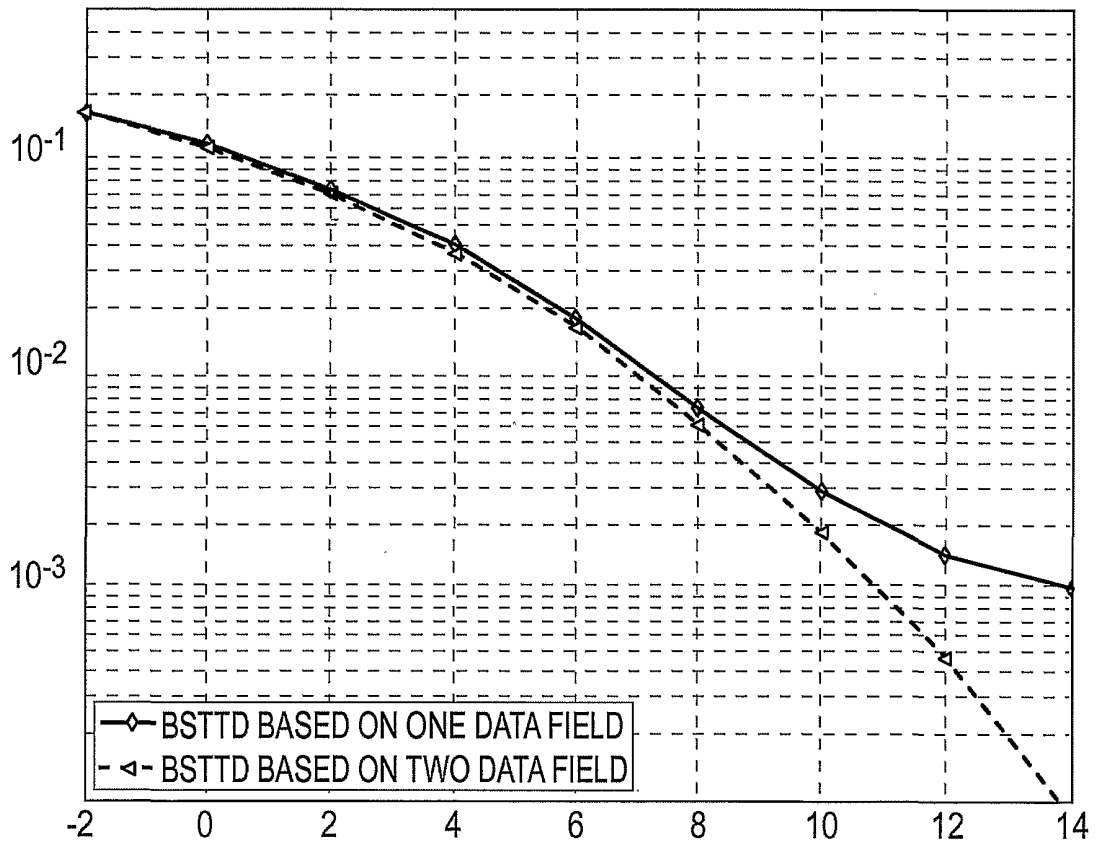


FIG. 3





**FIG. 4**

