



US00D569778S

(12) **United States Design Patent**
Kim

(10) **Patent No.:** **US D569,778 S**

(45) **Date of Patent:** **** May 27, 2008**

(54) **AUTOMOTIVE WHEEL**

(75) Inventor: **Paul J. Kim**, Industry, CA (US)

(73) Assignee: **The Wheel Group**, Industry, CA (US)

(**) Term: **14 Years**

(21) Appl. No.: **29/301,136**

(22) Filed: **Feb. 13, 2008**

(51) **LOC (8) CL.** **12-16**

(52) **U.S. CL.** **D12/211**

(58) **Field of Classification Search** D12/204-213;
301/37.101, 64.101, 65, 64.201

See application file for complete search history.

(56) **References Cited**

U.S. PATENT DOCUMENTS

D422,258 S *	4/2000	Hale, Jr.	D12/211
D492,927 S *	7/2004	Fitzgerald	D12/211
D499,062 S *	11/2004	Cheng	D12/209
D514,496 S *	2/2006	Neeper	D12/211

D518,430 S *	4/2006	Scheu	D12/211
D526,267 S *	8/2006	Looho	D12/211
D543,493 S *	5/2007	Kim	D12/209
D548,165 S *	8/2007	Young	D12/211
D553,070 S *	10/2007	Tirado	D12/211

* cited by examiner

Primary Examiner—Stacia Cadmus

(57) **CLAIM**

The ornamental design for an automotive wheel, as shown and described.

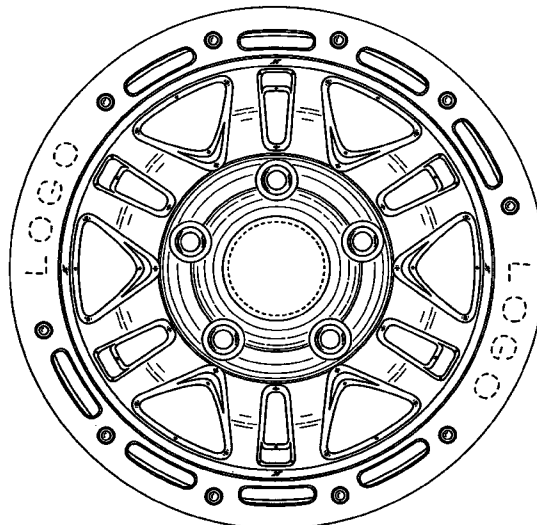
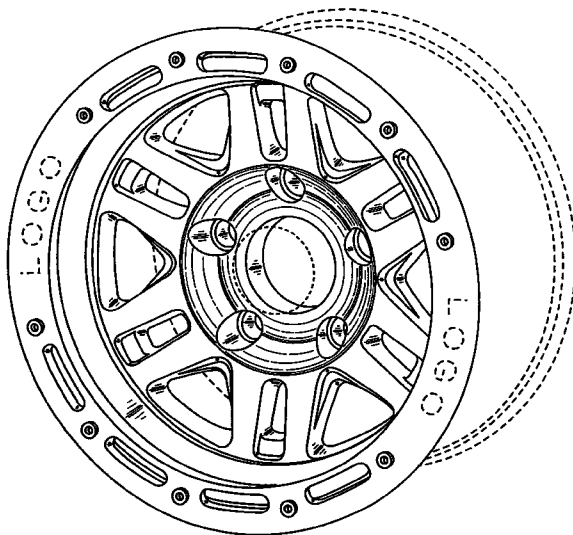
DESCRIPTION

FIG. 1 is a perspective view of an automotive wheel showing my new design; and,

FIG. 2 is a front elevational view of an automotive wheel showing the design herein described.

The broken lines are for illustrative purposes only, and form no part of the claimed design.

1 Claim, 2 Drawing Sheets



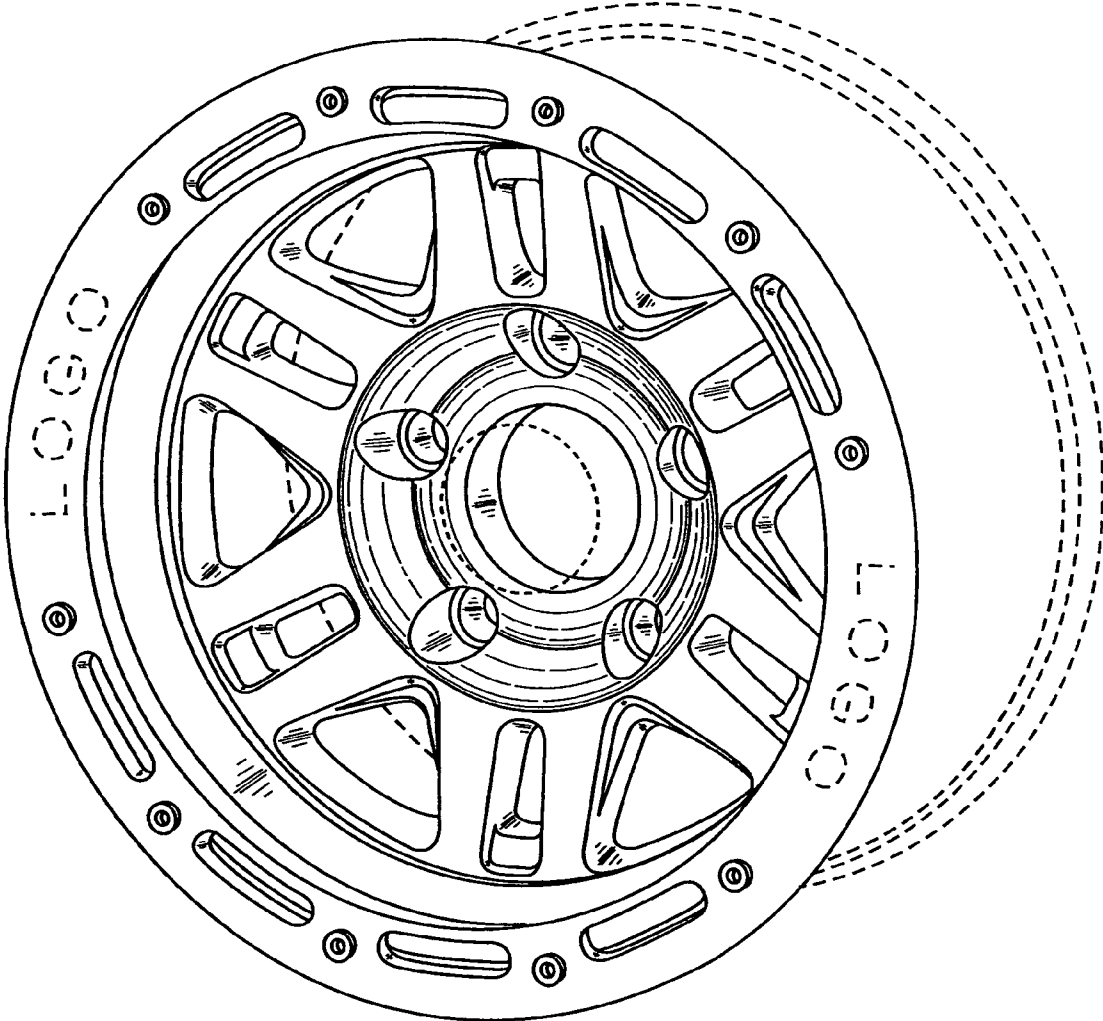


Fig. 1

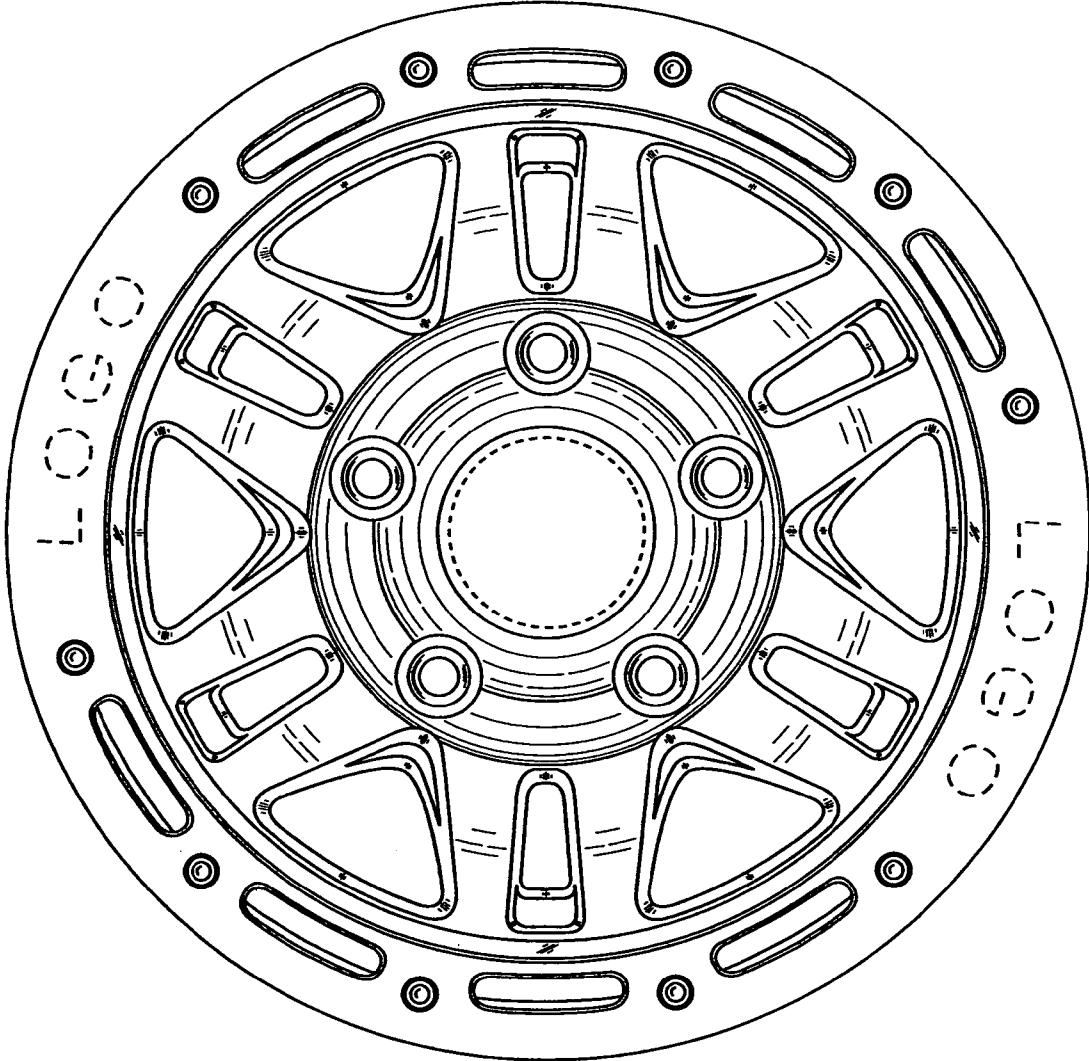


Fig. 2