



US00D683077S

(12) **United States Design Patent**  
**Klotz et al.**

(10) **Patent No.:** **US D683,077 S**

(45) **Date of Patent:** **\*\* May 21, 2013**

(54) **VISOR INTERFACE**  
  
(75) Inventors: **Robert Klotz**, Jefferson Hills, PA (US);  
**Rebecca Kreke**, Pittsburgh, PA (US);  
**Mark Hall**, Spring Church, PA (US)

D373,223 S \* 8/1996 Pernicka et al. .... D29/110  
D374,951 S \* 10/1996 Machson ..... D29/110  
D375,583 S \* 11/1996 Landis et al. .... D29/108  
D376,674 S \* 12/1996 Kamata ..... D29/107  
D380,872 S \* 7/1997 Wickland ..... D29/109

(Continued)

(73) Assignee: **Mine Safety Appliances Company**,  
Cranberry Township, PA (US)

*Primary Examiner* — Elizabeth J Oswecki  
(74) *Attorney, Agent, or Firm* — Bartony & Associates, LLC

(\*\*) Term: **14 Years**

(57) **CLAIM**  
The ornamental design for a visor interface, as shown and described.

(21) Appl. No.: **29/388,889**

(22) Filed: **Apr. 4, 2011**

**DESCRIPTION**

(51) **LOC (9) Cl.** ..... **29-02**  
(52) **U.S. Cl.** .....  
USPC ..... **D29/110**  
(58) **Field of Classification Search** ..... D29/100,  
D29/102, 103, 104, 105, 106, 107, 108, 109,  
D29/110, 111, 122; D24/189, 190, 191,  
D24/124; 2/9, 410-414, 416-425, 209.13,  
2/906, 6.7, 7, 8.1, 8.2, 8.6, 8.7, 171, 171.3,  
2/427, 429, 10, 206, 173, 4, 457; 128/889,  
128/201.24, 201.15, 857, 858, 891; 602/74,  
602/41, 58; 604/358

FIG. 1 is a perspective view of a visor interface showing our new design in an unused condition;  
FIG. 2 is a front view thereof, the rear view is identical;  
FIG. 3 is a top view thereof;  
FIG. 4 is a perspective view of the visor interface of FIG. 1 shown in a used condition;  
FIG. 5 is another perspective view of the visor interface of FIG. 1 shown in a used condition, connected to a chin guard and a visor frame which is connected to a helmet, wherein the chin guard, the visor frame and the helmet are illustrated in broken lines;  
FIG. 6 is a front view of the visor interface of FIG. 1 shown in a used condition;  
FIG. 7 is a rear view thereof, shown in a used condition;  
FIG. 8 is a side view thereof, shown in a used condition, the opposite side view is identical; and,  
FIG. 9 is a top view thereof, shown in a used condition.  
The dashed-dot-dashed lines shown beneath and to the sides of the shaded area on the visor interface form the boundary line of the claimed design. The broken lines of the outer edges of the visor frame in FIGS. 1-9, chin guard in FIG. 5, visor frame in FIG. 5 and helmet in FIG. 5 form no part of the claimed design.

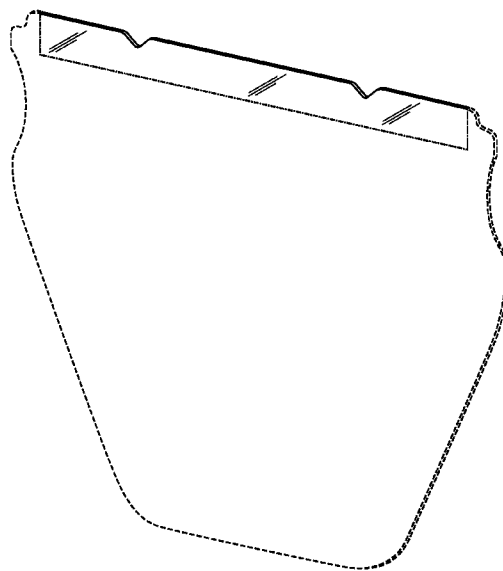
See application file for complete search history.

(56) **References Cited**

**U.S. PATENT DOCUMENTS**

1,337,036 A \* 4/1920 Bergmann ..... 2/12  
2,968,812 A \* 1/1961 Vivolo ..... 2/12  
3,605,115 A \* 9/1971 Bohner ..... 2/10  
D254,638 S \* 4/1980 Bay, Jr. .... D29/109  
5,007,109 A \* 4/1991 Wheeler ..... 2/10  
D331,820 S \* 12/1992 Scanlon ..... D29/110  
5,206,956 A \* 5/1993 Olson ..... 2/13  
D341,230 S \* 11/1993 Kamata ..... D29/107  
D359,586 S \* 6/1995 Lofton ..... D29/110  
D361,868 S \* 8/1995 Raugh ..... D29/109  
D370,310 S \* 5/1996 Reuber et al. .... D29/110

**1 Claim, 8 Drawing Sheets**



# US D683,077 S

Page 2

---

## U.S. PATENT DOCUMENTS

D380,873	S	*	7/1997	Reuber	.....	D29/110	D481,173	S	*	10/2003	Alexander et al.	.....	D29/110
5,765,223	A	*	6/1998	McCausland	.....	2/9	D492,450	S	*	6/2004	Fournier et al.	.....	D29/122
D404,849	S	*	1/1999	Desy	.....	D29/110	D541,991	S	*	5/2007	Lawrence	.....	D29/122
D417,756	S	*	12/1999	Crupi et al.	.....	D29/110	D568,545	S	*	5/2008	Schaffner	.....	D29/110
D454,667	S	*	3/2002	Chartrand et al.	.....	D29/110	7,725,949	B2	*	6/2010	Landis	.....	2/9

\* cited by examiner

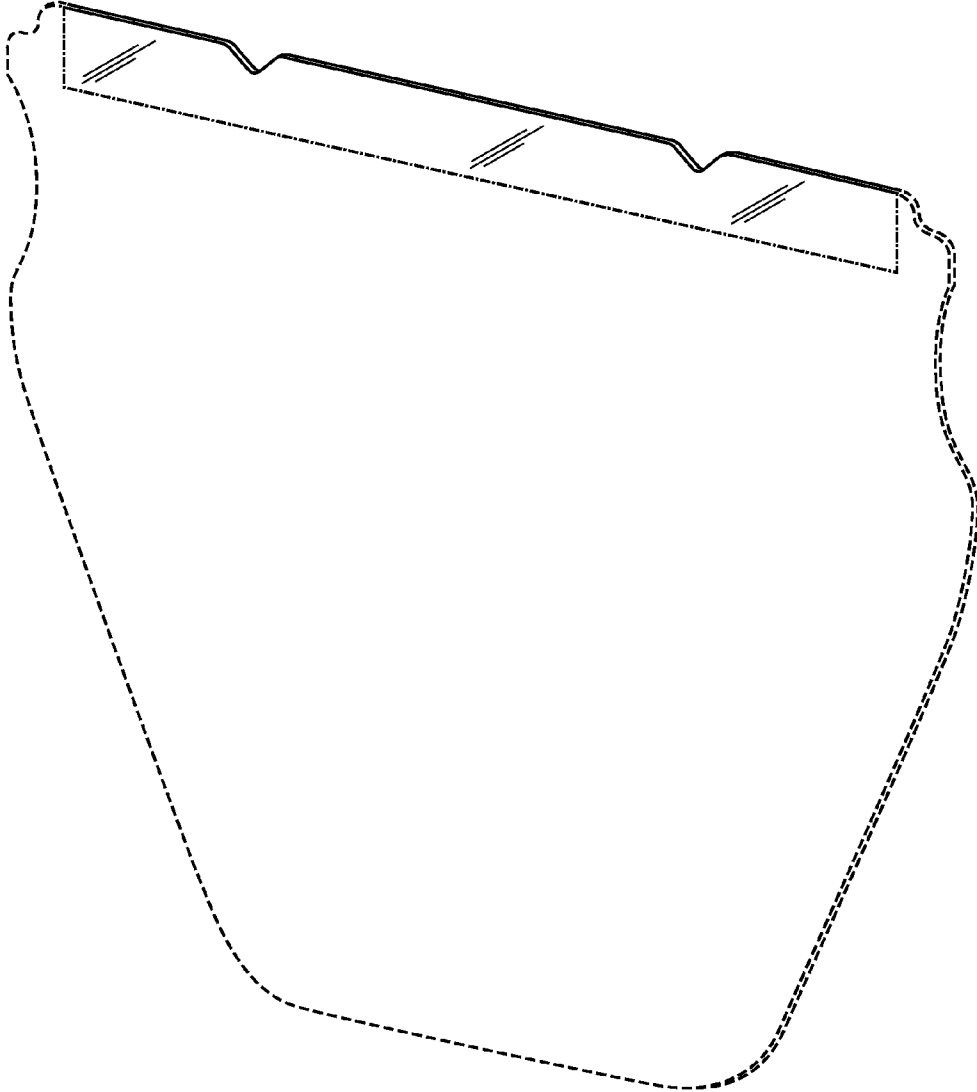


FIG. 1

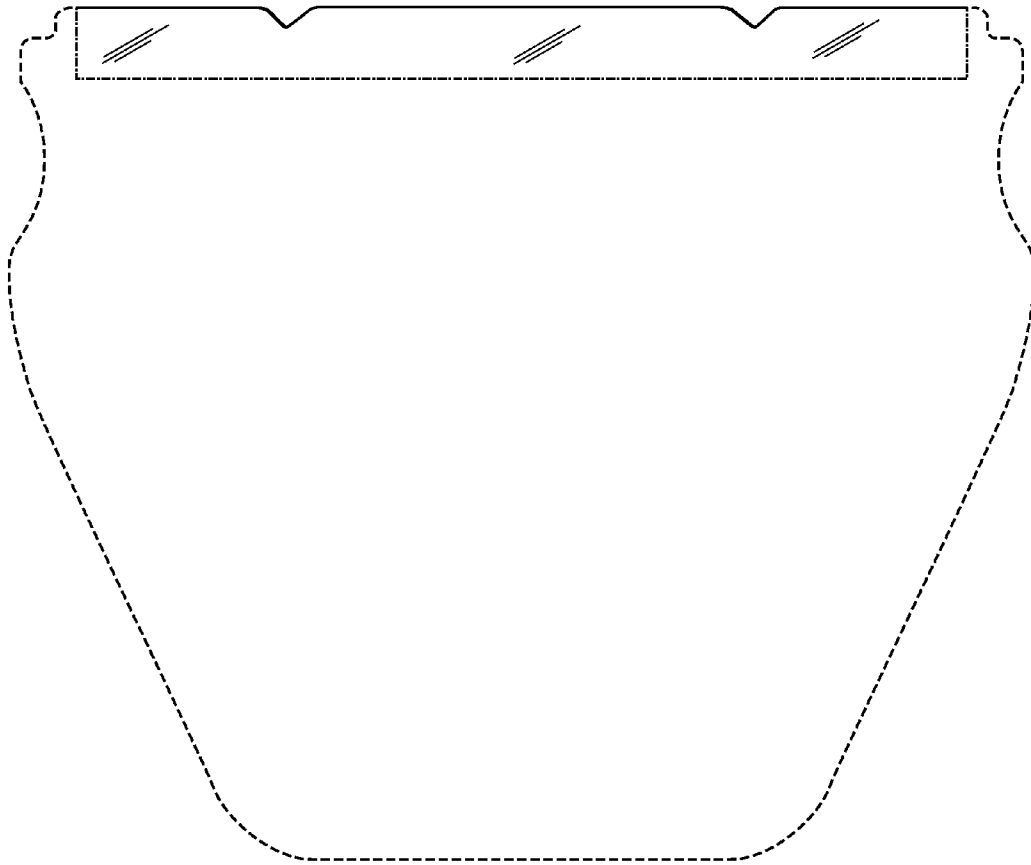


FIG. 2



FIG. 3

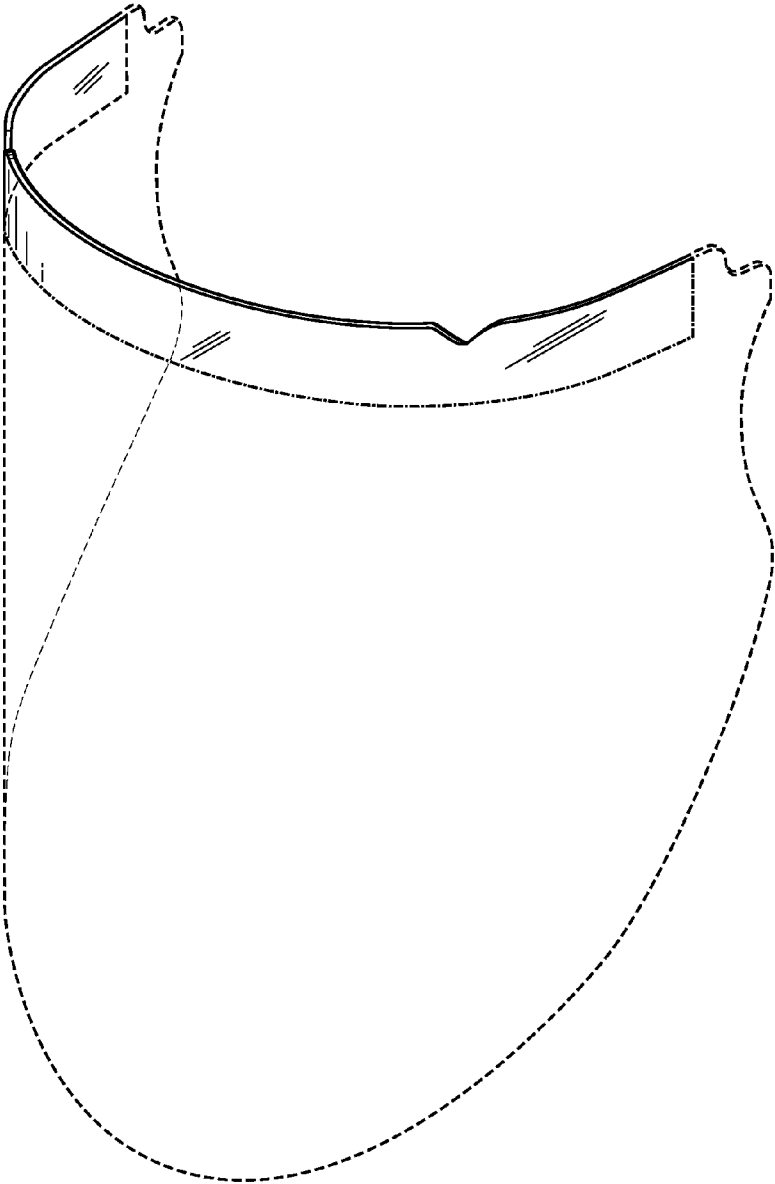


FIG. 4

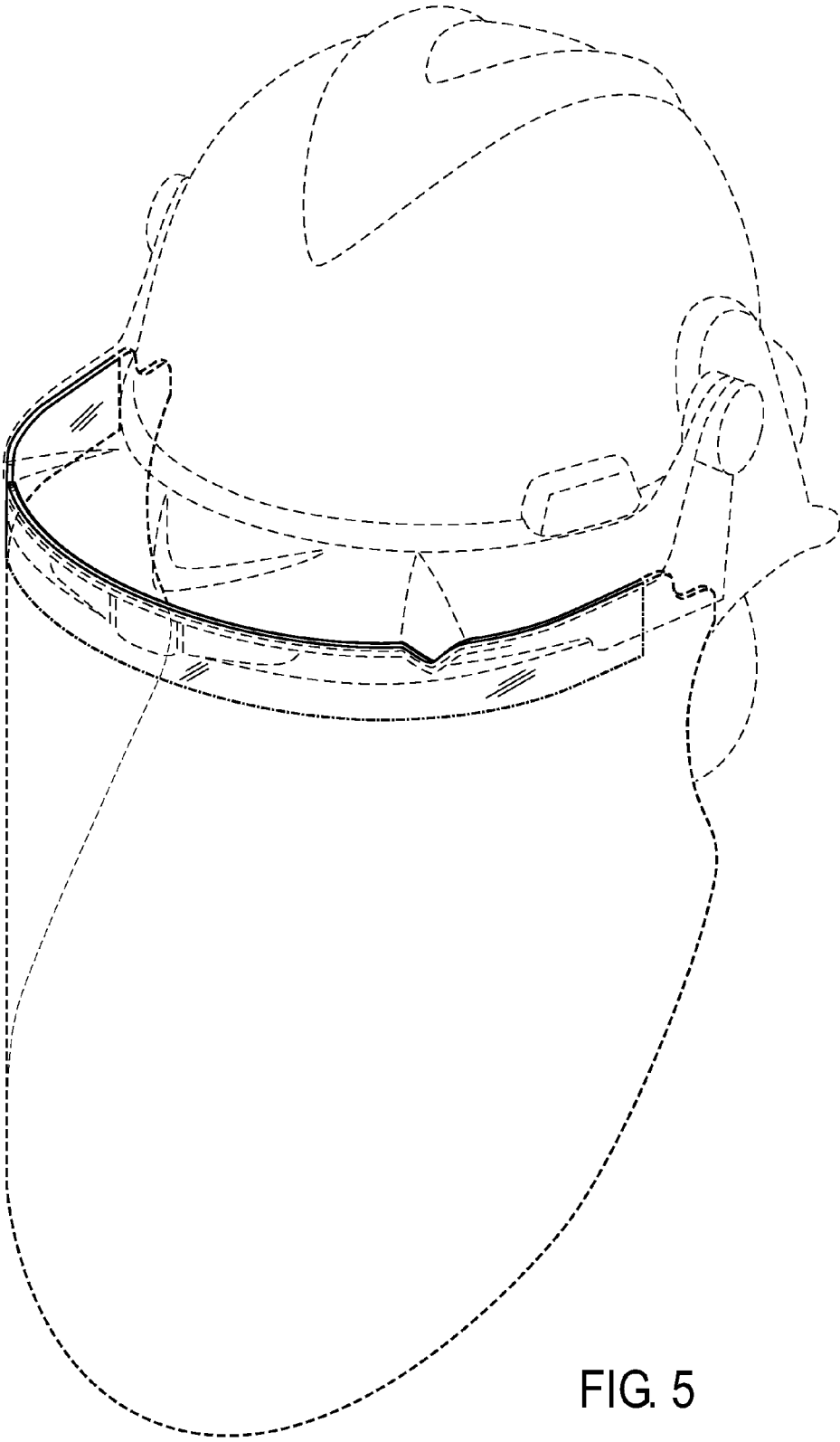


FIG. 5

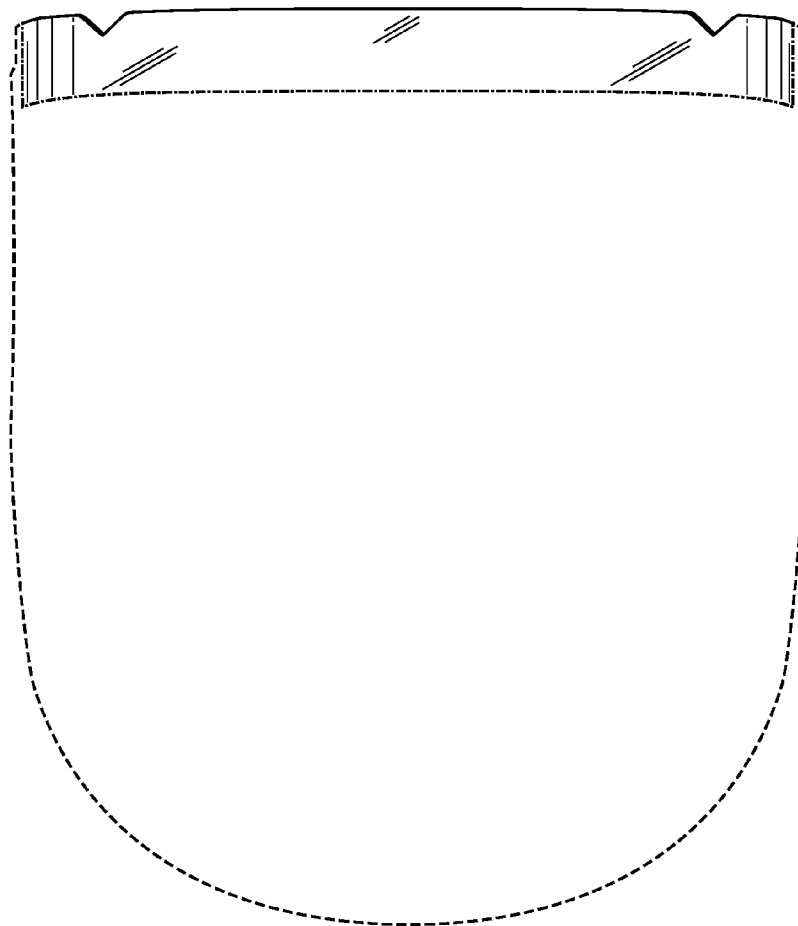


FIG. 6

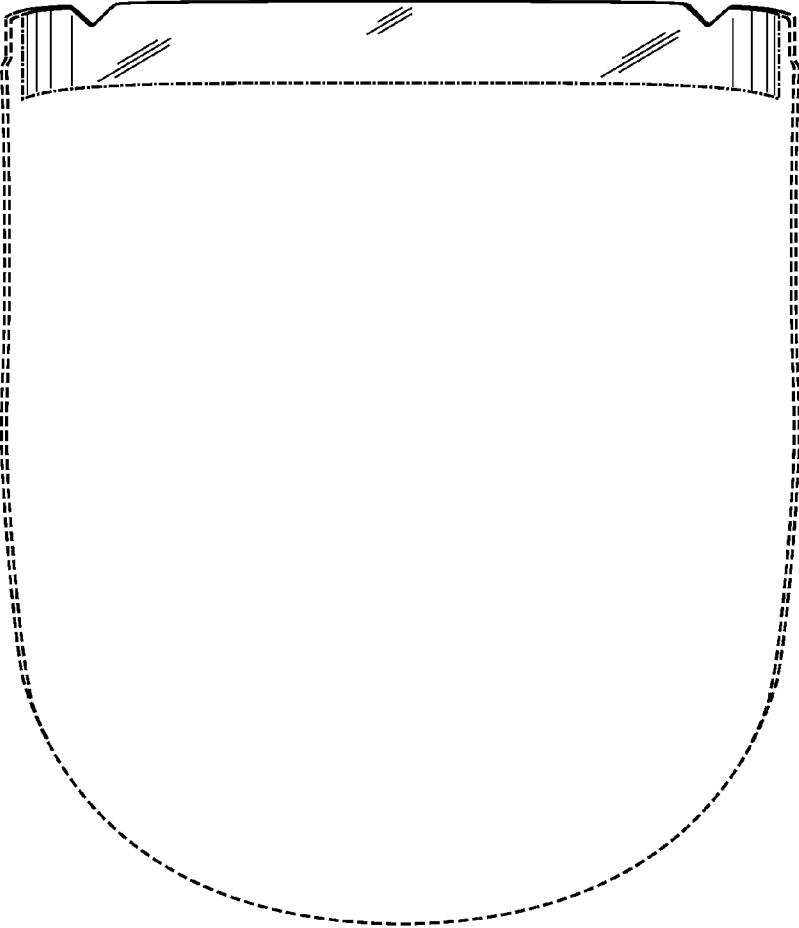


FIG. 7

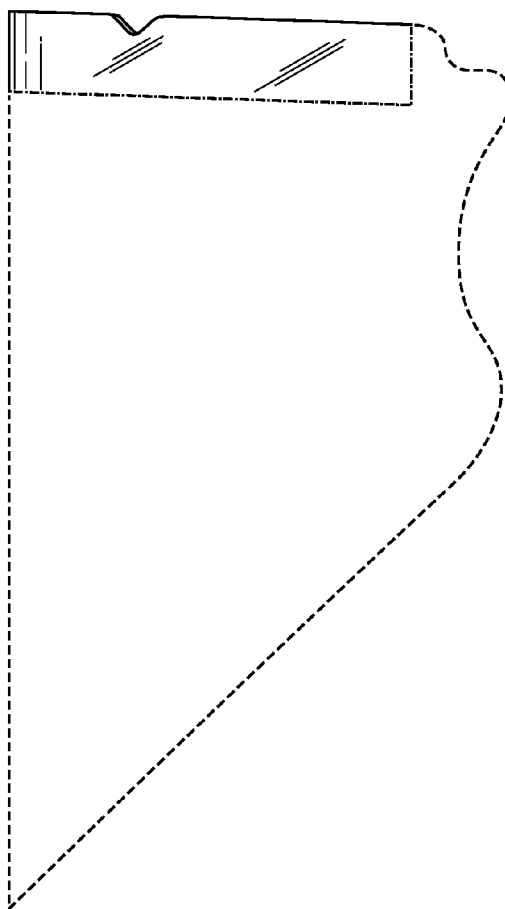


FIG. 8

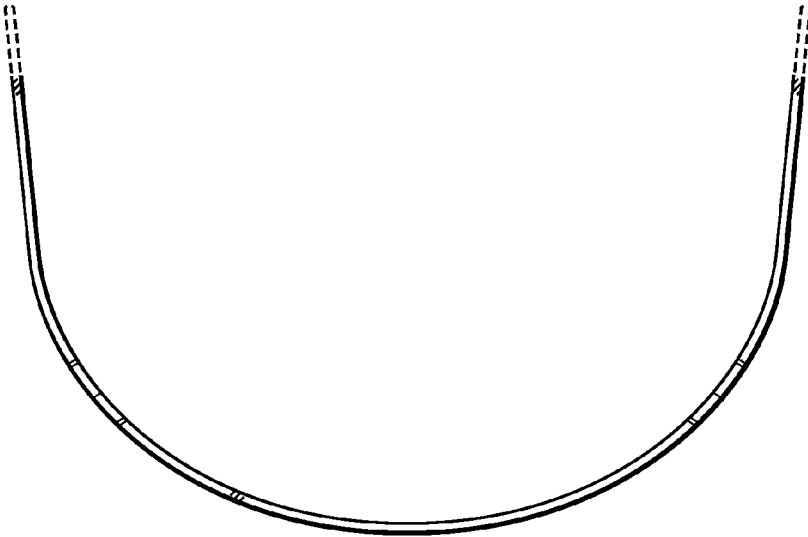


FIG. 9