

CORRECTED VERSION

(19) World Intellectual Property Organization  
International Bureau



(43) International Publication Date  
10 July 2008 (10.07.2008)

PCT

(10) International Publication Number  
WO 2008/083394 A8

- (51) International Patent Classification:  
A61F 2/00 (2006.01)
  - (21) International Application Number:  
PCT/US2008/000009
  - (22) International Filing Date: 2 January 2008 (02.01.2008)
  - (25) Filing Language: English
  - (26) Publication Language: English
  - (30) Priority Data:  
60/878,311 2 January 2007 (02.01.2007) US
  - (71) Applicant (for all designated States except US): BOSTON SCIENTIFIC SCIMED, INC. [US/US]; One Scimed Place, Maple Grove, MN 55311-1566 (US).
  - (72) Inventors: TOSO, Kenneth, E.; 15 Jacob Amsden Road, Westborough, MA 01581 (US). BEAN, Jeffery, V.; 216 Ashburnham Hill Road, Fitchburg, MA 01420-2146 (US). WEISER, Michael, F.; 516 Martins Pond Road, Groton, MA 01450 (US). RAO, Doreen; 36 Willis Road, Sudbury, Massachusetts 01776 (US). FORTUNATE, Alan; 33 Olcott Street, Watertown, MA 02472 (US).
  - (74) Agent: LARSEN, Charles, D.; Ropes & Gray LLP, One International Place, Boston, MA 02110 (US).
  - (81) Designated States (unless otherwise indicated, for every kind of national protection available): AE, AG, AL, AM, AO, AT, AU, AZ, BA, BB, BG, BH, BR, BW, BY, BZ, CA, CH, CN, CO, CR, CU, CZ, DE, DK, DM, DO, DZ, EC, EE, EG, ES, FI, GB, GD, GE, GH, GM, GT, HN, HR, HU, ID, IL, IN, IS, JP, KE, KG, KM, KN, KP, KR, KZ, LA, LC, LK, LR, LS, LT, LU, LY, MA, MD, ME, MG, MK, MN, MW, MX, MY, MZ, NA, NG, NI, NO, NZ, OM, PG, PH, PL, PT, RO, RS, RU, SC, SD, SE, SG, SK, SL, SM, SV, SY, TJ, TM, TN, TR, TT, TZ, UA, UG, US, UZ, VC, VN, ZA, ZM, ZW.
  - (84) Designated States (unless otherwise indicated, for every kind of regional protection available): ARIPO (BW, GH, GM, KE, LS, MW, MZ, NA, SD, SL, SZ, TZ, UG, ZM, ZW), Eurasian (AM, AZ, BY, KG, KZ, MD, RU, TJ, TM), European (AT, BE, BG, CH, CY, CZ, DE, DK, EE, ES, FI, FR, GB, GR, HR, HU, IE, IS, IT, LT, LU, LV, MC, MT, NL, NO, PL, PT, RO, SE, SI, SK, TR), OAPI (BF, BJ, CF, CG, CI, CM, GA, GN, GQ, GW, ML, MR, NE, SN, TD, TG).
- Published:  
— with international search report

[Continued on next page]

(54) Title: REINFORCED MESH FOR RETROPUBLIC IMPLANTS

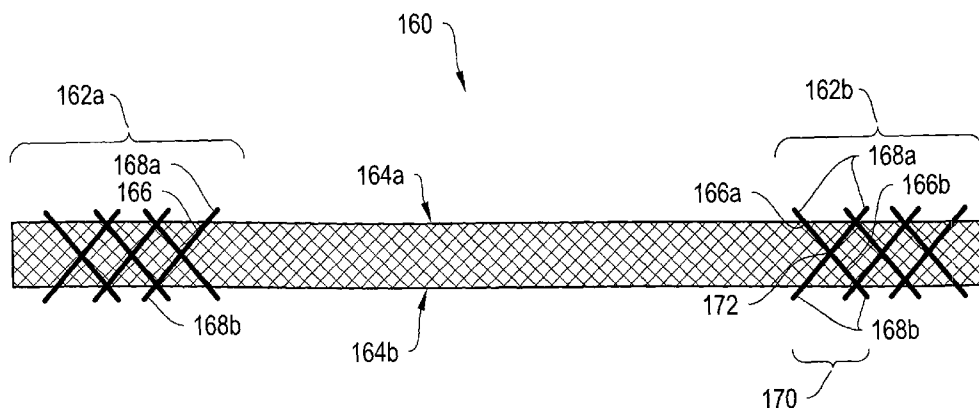


Figure 4A

(57) Abstract: Disclosed are reinforced meshes for retropubic implants for treatment of urinary incontinence and/or pelvic floor disorders and related uses, devices, and methods. In certain embodiments, implants have various resilient strengthening members added to a retropubic support mesh.

WO 2008/083394 A8



---

**(88) Date of publication of the international search report:**  
16 October 2008

**(48) Date of publication of this corrected version:**  
30 July 2009

**(15) Information about Correction:**  
see Notice of 30 July 2009