



US00D723359S

(12) **United States Design Patent**
O'Connor

(10) **Patent No.:** **US D723,359 S**

(45) **Date of Patent:** **** Mar. 3, 2015**

- (54) **WALL FRAMING CLIP**
- (71) Applicant: **Neil O'Connor**, Milwaukie, OR (US)
- (72) Inventor: **Neil O'Connor**, Milwaukie, OR (US)
- (**) Term: **14 Years**
- (21) Appl. No.: **29/448,456**

3,920,208 A 11/1975 Dowdy et al.
 3,984,960 A 10/1976 Raio et al.
 4,043,092 A 8/1977 Paul et al.

(Continued)

- (22) Filed: **Mar. 12, 2013**
 - (51) **LOC (10) Cl.** **08-08**
 - (52) **U.S. Cl.**
 - USPC **D8/382**
 - (58) **Field of Classification Search**
 - CPC E04B 2/766; E04B 9/245; E04B 2/767;
 E04F 13/0841; E06B 1/6092; E04D
 2003/3615; E04D 2003/285
 - USPC D8/382, 349, 354, 394; D12/223;
 248/466, 300, 247; 52/649.8, 285.3,
 52/713, 282.2, 715, 362, 355, 702;
 249/194
- See application file for complete search history.

OTHER PUBLICATIONS

International Search Report from International Application No. PCT/US07/04226, mailed Oct. 16, 2007 (1 page).

(Continued)

Primary Examiner — Sheryl Lane
Assistant Examiner — Nicole Shiflet
 (74) *Attorney, Agent, or Firm* — Klarquist Sparkman, LLP

(57) **CLAIM**

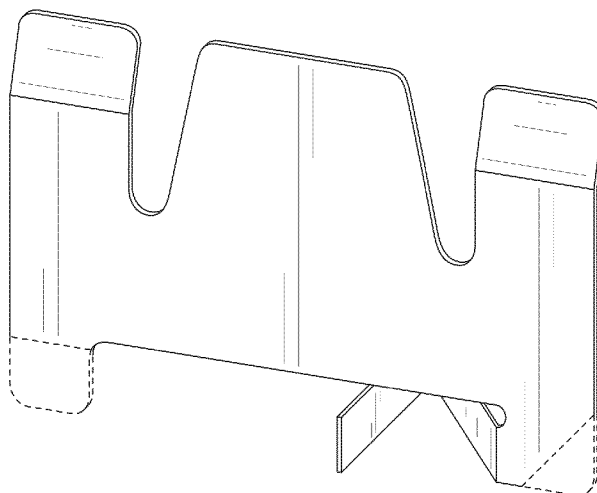
I claim the ornamental design for a wall framing clip, as shown and described.

DESCRIPTION

FIG. 1 is a perspective view of a wall framing clip, as viewed from the front, top, and left side.
 FIG. 2 is a front view of the wall framing clip of FIG. 1.
 FIG. 3 is a rear view of the wall framing clip of FIG. 1.
 FIG. 4 is a right side view of the wall framing clip of FIG. 1.
 FIG. 5 is a left side view of the wall framing clip of FIG. 1.
 FIG. 6 is a top view of the wall framing clip of FIG. 1.
 FIG. 7 is a bottom view of the wall framing clip of FIG. 1.
 FIG. 8 is a front environmental view of the wall framing clip of FIG. 1, shown coupling an exemplary vertical wall framing member to an exemplary horizontal wall framing member; and,
 FIG. 9 is a perspective environmental view of the wall framing clip of FIG. 1, as viewed from the rear, bottom, and left side, shown coupling an exemplary vertical wall framing member to an exemplary horizontal wall framing member.
 The broken lines depicting the bendable lower corner portions of the wall framing clip represent portions of the article and form no part of the claimed design. The vertical wall framing member and the horizontal wall framing member are included to show environmental structure and form no part of the claimed design.

- (56) **References Cited**
- U.S. PATENT DOCUMENTS
- 2,132,832 A 10/1938 Prive
- 2,207,374 A 7/1940 Birger
- 2,248,224 A 7/1941 Birger
- 2,767,786 A 10/1956 James
- 2,796,158 A 6/1957 Miles et al.
- 2,921,464 A 1/1960 Olsen
- 3,321,880 A 5/1967 Ferrell et al.
- 3,332,188 A 7/1967 Schaefer
- 3,610,565 A * 10/1971 Okazaki 249/194
- D222,526 S * 11/1971 Meier D8/382
- 3,702,047 A 11/1972 Harcuba
- 3,858,364 A 1/1975 Proulx
- 3,906,695 A 9/1975 Pilgrim et al.

1 Claim, 9 Drawing Sheets



(56)

References Cited

U.S. PATENT DOCUMENTS

4,121,391	A	10/1978	Schroeder	
4,123,887	A	11/1978	Weinar	
4,376,361	A	3/1983	Michael	
4,433,524	A	2/1984	Matson	
4,497,091	A	2/1985	Elliott	
4,570,400	A	2/1986	Slager et al.	
4,575,979	A	3/1986	Mariani	
4,578,922	A	4/1986	Wendt	
4,831,808	A	* 5/1989	Wynar	52/715
D332,565	S	* 1/1993	Allred	D8/354
5,216,858	A	6/1993	Gilmour	
5,222,335	A	6/1993	Petrecca	
5,325,651	A	7/1994	Meyer et al.	
5,640,823	A	6/1997	Bergeron et al.	
5,664,392	A	9/1997	Mucha	
6,408,589	B1	6/2002	Bousquet	
6,578,335	B2	6/2003	Poliquin	
6,612,087	B2	9/2003	diGirolamo et al.	
6,647,691	B2	11/2003	Becker et al.	
D483,651	S	* 12/2003	Sander	D8/349
6,668,510	B2	12/2003	McManus	

D507,959	S	* 8/2005	Mottini	D8/354
D553,969	S	* 10/2007	Allsopp	D8/394
8,250,822	B2	8/2012	O'Connor	

OTHER PUBLICATIONS

Office Action from the United States Patent & Trademark Office in co-pending U.S. Appl. No. 11/707,629, dated Apr. 26, 2010 (10 pages).

Final Office Action from the United States Patent & Trademark Office in co-pending U.S. Appl. No. 11/707,629, dated Oct. 12, 2010 (9 pages).

Office Action from the United States Patent & Trademark Office in co-pending U.S. Appl. No. 11/707,629, dated Mar. 22, 2011 (7 pages).

Final Office Action from the United States Patent & Trademark Office in co-pending U.S. Appl. No. 11/707,629, dated Dec. 8, 2011 (8 pages).

Notice of Allowance from the United States Patent & Trademark Office in co-pending U.S. Appl. No. 11/707,629, dated May 10, 2012 (7 pages).

* cited by examiner

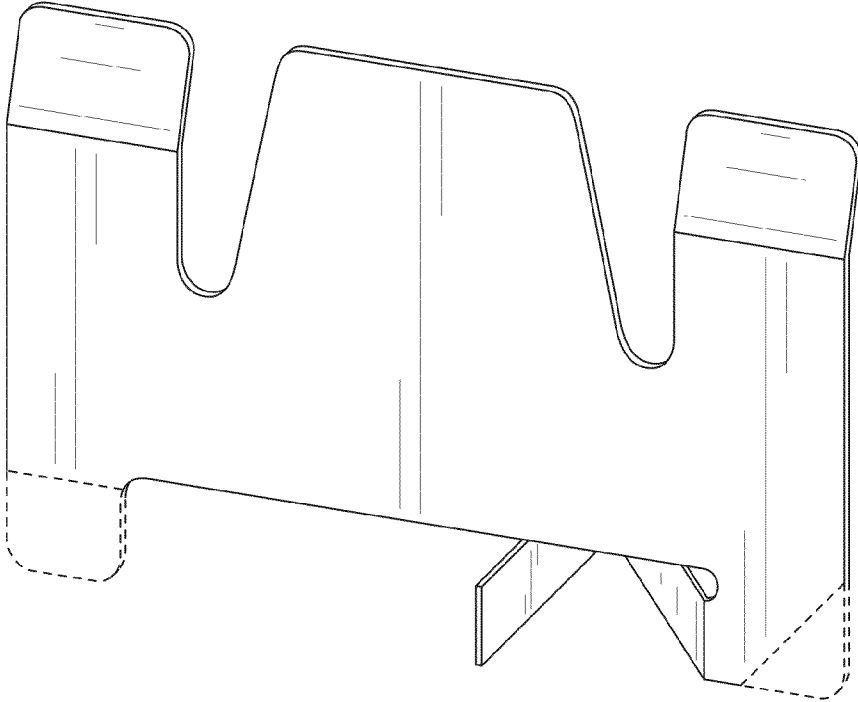


FIG. 1

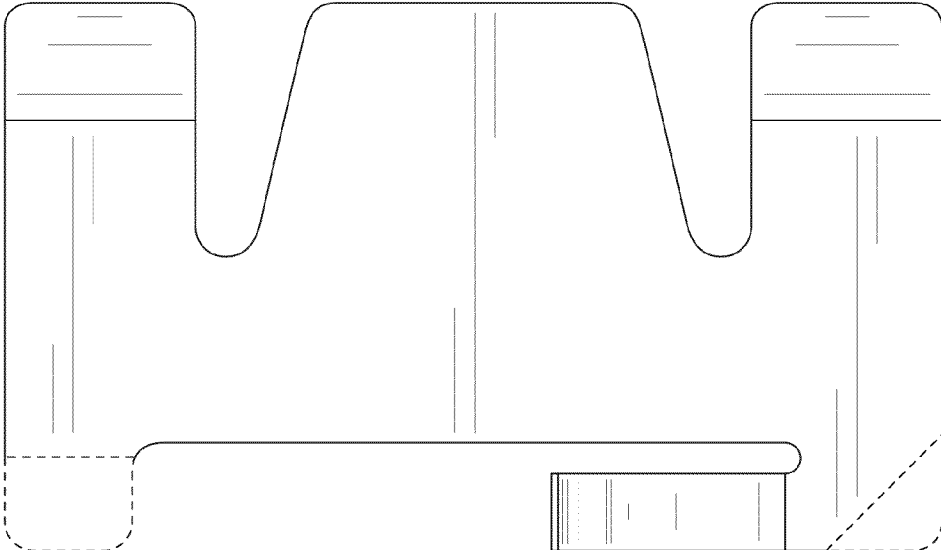


FIG. 2

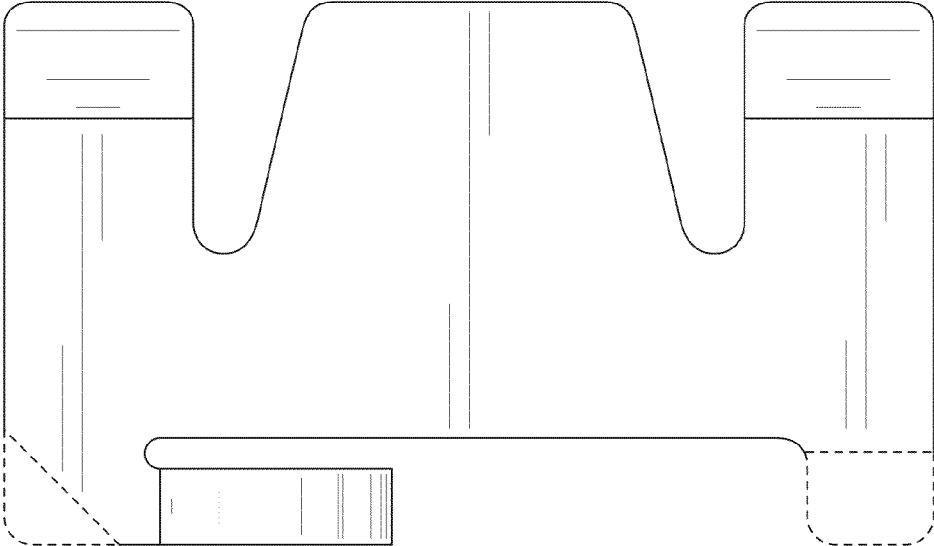


FIG. 3

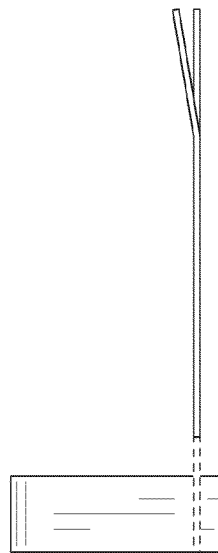


FIG. 4

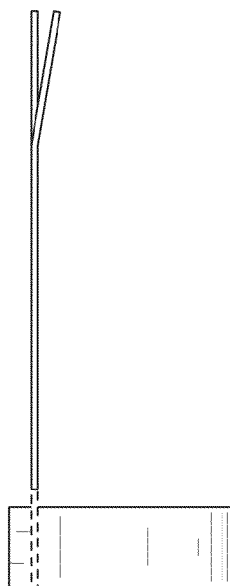


FIG. 5

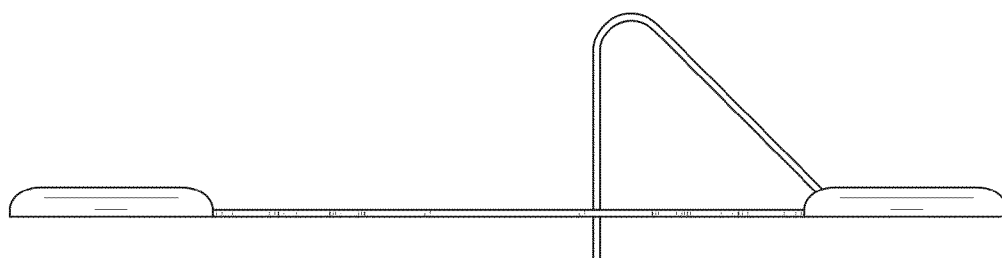


FIG. 6

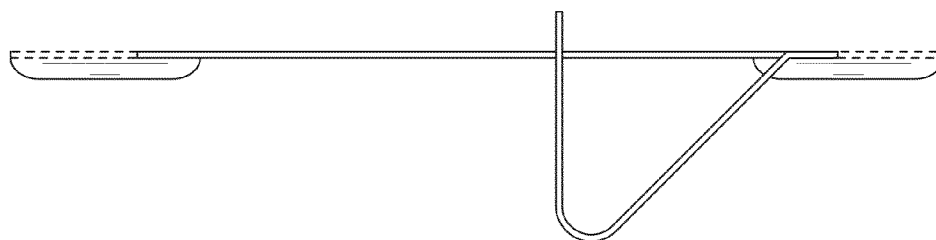


FIG. 7

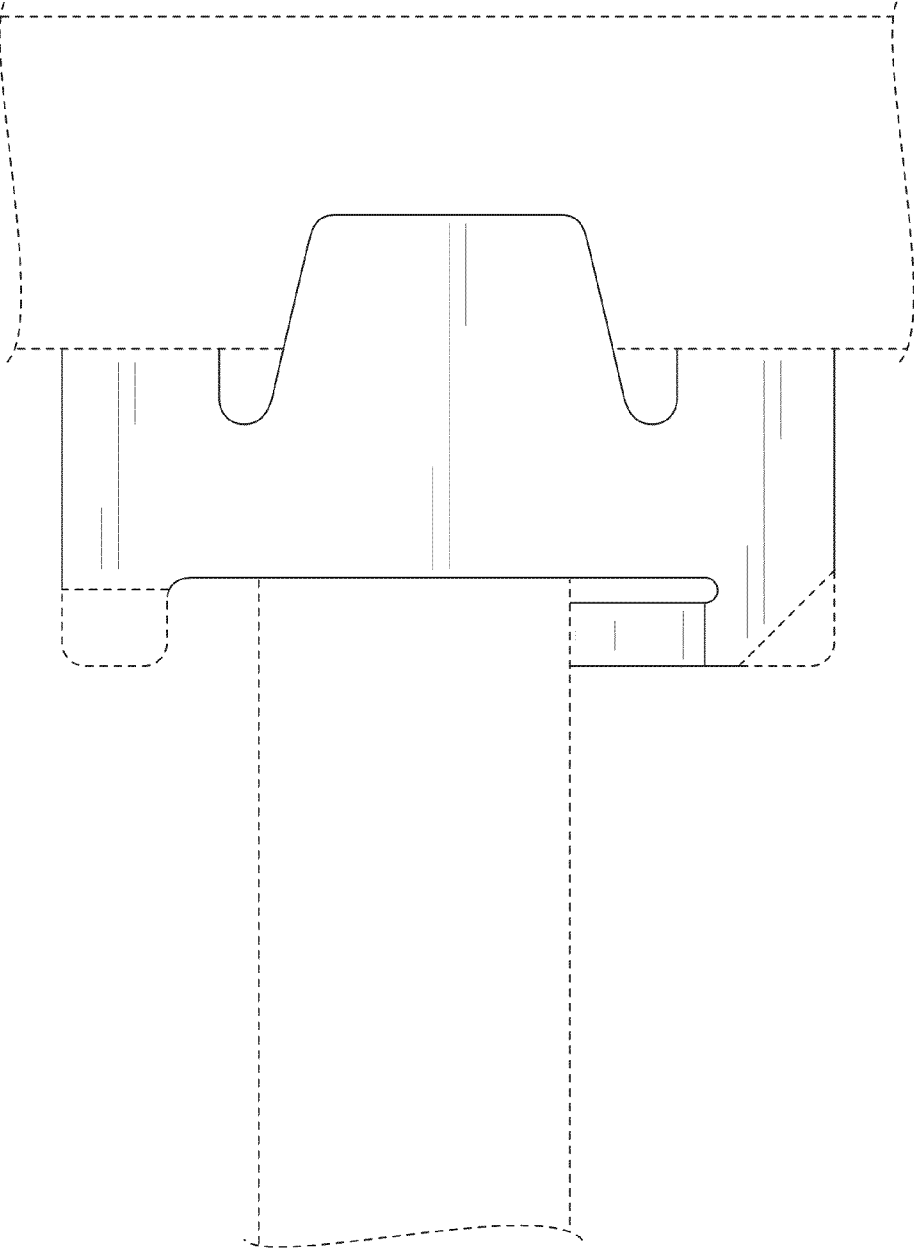


FIG. 8

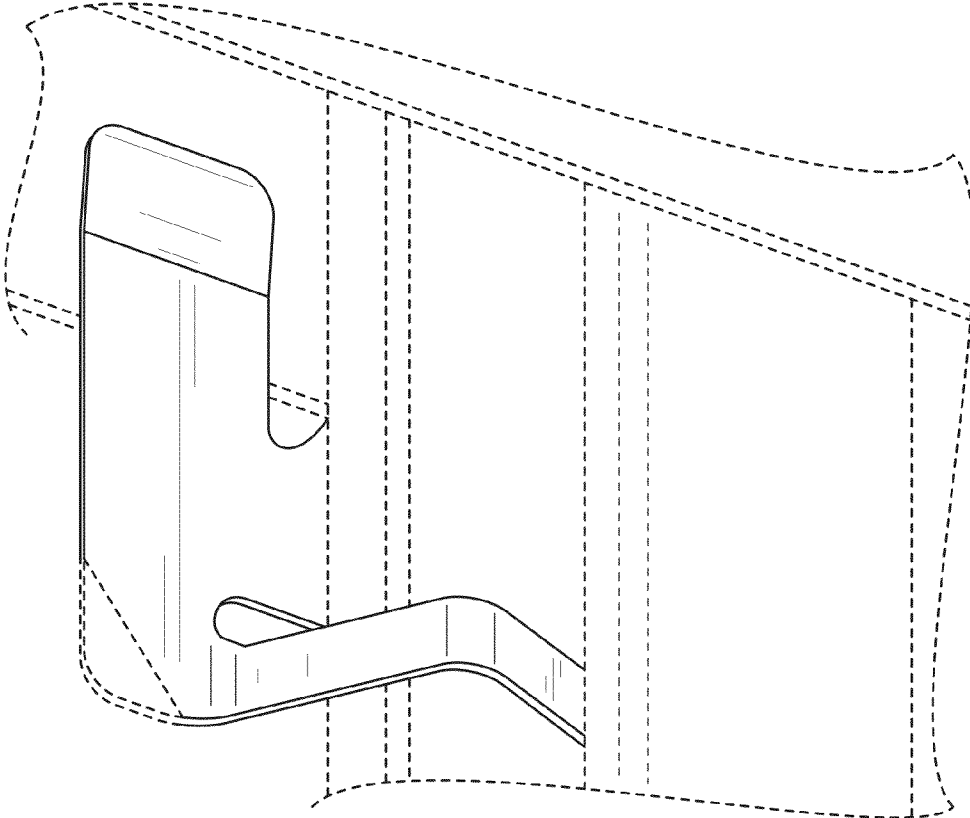


FIG. 9