

FOR THE PURPOSES OF INFORMATION ONLY

Codes used to identify States party to the PCT on the front pages of pamphlets publishing international applications under the PCT.

AT	Austria	GB	United Kingdom	MR	Mauritania
AU	Australia	GE	Georgia	MW	Malawi
BB	Barbados	GN	Guinea	NE	Niger
BE	Belgium	GR	Greece	NL	Netherlands
BF	Burkina Faso	HU	Hungary	NO	Norway
BG	Bulgaria	IE	Ireland	NZ	New Zealand
BJ	Benin	IT	Italy	PL	Poland
BR	Brazil	JP	Japan	PT	Portugal
BY	Belarus	KE	Kenya	RO	Romania
CA	Canada	KG	Kyrgystan	RU	Russian Federation
CF	Central African Republic	KP	Democratic People's Republic of Korea	SD	Sudan
CG	Congo	KR	Republic of Korea	SE	Sweden
CH	Switzerland	KZ	Kazakhstan	SI	Slovenia
CI	Côte d'Ivoire	LI	Liechtenstein	SK	Slovakia
CM	Cameroon	LK	Sri Lanka	SN	Senegal
CN	China	LU	Luxembourg	TD	Chad
CS	Czechoslovakia	LV	Latvia	TG	Togo
CZ	Czech Republic	MC	Monaco	TJ	Tajikistan
DE	Germany	MD	Republic of Moldova	TT	Trinidad and Tobago
DK	Denmark	MG	Madagascar	UA	Ukraine
ES	Spain	ML	Mali	US	United States of America
FI	Finland	MN	Mongolia	UZ	Uzbekistan
FR	France			VN	Viet Nam
GA	Gabon				

A CONSTRUCTION INCLUDING AN IMPLEMENT FOR AUTOMATICALLY MILKING ANIMALS

5 The present invention relates to a construction including an implement for automatically milking animals, such as cows, having one or more milking boxes and one or more milking robots for automatically connecting teat cups to the teats of the animals, whilst the implement further includes a detector for determining the position of the teats.

10 Constructions of this type are known.

There might however be a disadvantage if such a construction is not always working satisfactorily. The invention has as an object to improve such constructions. The construction is improved in that the detector is constructed in such a manner that the detector beams can be at different angles with respect to the teats of the animal to be milked. The invention also relates to a construction including an implement for automatically milking animals, such as cows, having one or more milking boxes and one or more milking robots for automatically connecting teat cups to the teats of the animals, whilst the implement further includes a detector for determining the position of the teats, the construction then being characterized in that the detector is arranged for performing a scanning motion in different directions. In this situation, the scanning beam of the detector can be positioned such that it can move up and down and to and fro. So as to render it possible to detect teats which are located at different heights above the floor of the milking box, the

detector can perform a scanning motion through at least 5
cms, and preferably through approximately 10 cms in the
vertical direction. More in particular, for performing this
motion in the vertical direction, the detector can be con-
5 nected through the intermediary of a four-bar linkage to a
robot arm which is part of the robot arm construction. Apart
from a movement in the vertical direction, the detector is
also capable of rotation in a mainly horizontal plane. To
that end, the detector can be connected, capably of rotating
10 around a mainly vertical shaft, to the robot arm construc-
tion. The robot arm construction itself is preferably at-
tached to a side of a milking box or arranged closely
thereto. The robot arm construction is then more in par-
ticular of such a design that the detector can be moved to
15 outside the milking box.

When the detector becomes contaminated, this may be
to the detriment of the accuracy with which the position of
the teats is determined, whilst it is even possible that a
positional determination cannot be effected at all. In order
20 to solve this problem, the implement may be fitted with a
cleaning member for cleaning the detector. The invention,
therefore, also relates to a construction including an
implement for automatically milking animals, such as cows,
having one or more milking boxes and one or more milking
25 robots for automatically connecting teat cups to the teats of
the animals, whilst the implement includes a detector for
determining the position of the teats, the construction then
being characterized in that the implement includes a cleaning
member for cleaning the detector. This cleaning member is
30 preferably arranged outside the milking box, in connection
with the side wall of the milking box. More in particular
when the detector is constituted by a laser, this detector
has a window which can get dirty. For that reason, the
cleaning member may be provided with spraying and/or blowing
35 means for spraying a cleaning liquid or blowing air, respec-
tively, against the window, thus cleaning the window. This
cleaning operation may be effected after each milking turn;
the frequency of cleaning the window may be lower when it is
found that the window is contaminated less frequently.

The motion of the component parts of the robot arm construction and the motion of the detector can be performed by means of computer-controlled stepping motors. Both for this function and in general for controlling the entire milking procedure and the procedure of automatically connecting and disconnecting the teat cups, a computer is used.

The implement further includes an animal identification system connected to this computer, whilst in the computer a control programme adapted to the individual animals for moving the detector to an animal-specific position under the udder is stored. The position from which the detector can detect in the most accurate manner the position of the teats of the animal, depends on the position of the teats and will consequently depend on the individual animals. After the position of the teats has been determined, the teat cups can be connected. The implement is then arranged such that optionally the four teat cups are couplable simultaneously or one after the other to the teats of an animal, whilst the teat cups are further individually uncouplable. The invention, therefore, further relates to a method of automatically milking animals, such as cows, using a milking robot with teat cups, in which the four teat cups are automatically couplable simultaneously or one after the other to the teats of an animal, whilst the teat cups are further individually uncouplable.

For a better understanding of the invention and to show how the same may be carried into effect, reference will now be made, by way of example, to the accompanying drawings, in which:

Figure 1 is a side view of a milking box of the invention;

Figure 2 is a rear view of a milking robot, a teat cup being connected to a teat of an animal standing in the milking box;

Figure 3 is a rear view of the milking robot, wherein the teat cups are connected to the teats of an animal present in the milking box and wherein the robot arm is thereafter retracted to outside the milking box;

Figure 4 is a plan view of the milking box with the

milking robot, wherein the teat cups have all four been connected to the teats of an animal standing in the milking box and wherein the robot arms have thereafter been retracted to outside the milking box;

5 Figure 5 is a side view of a milking box accommodating a cow, of which the front and rear teats are at unequal heights, and in which figure a detector is shown in the position in which it can determine the location of the rear teats, and

10 Figure 6 is a plan view of the milking box shown in Figure 5 containing the detector, and the manner in which this detector is movable and cleanable.

15 Figure 1 shows, in a side view, a milking box 1 in which a cow to be milked is present. The milking box 1 includes a railing 2 which limits the milking box at all four sides, an entrance door 3 at the rear side and two exit doors 4 and 5 having been arranged in this railing at the two longitudinal sides (see Figure 4). Via one of these exit doors the animal can be conducted from the milking box to a shed area or a pasture, whilst via the other door the animal can be conducted to a special isolation area, e.g. because mastitis has been detected during milking. The entrance and exit doors are under the control of a computer system, not further shown. At the leading side of the milking box 1 a feeding trough 6 has been disposed, which is part of an automatic feeding system. The animals to be milked wear a collar 7, which is equipped with a transponder 8 which cooperates with a sensor 9 disposed at or near the feeding trough 6. When an animal enters the milking box 1 and has advanced that far that it can put its head into the feeding trough 6, the distance between the transponder 8 and the sensor 9 is such that communication between the two elements 8 and 9 occurs. The transponder 8 and the sensor 9, which is connected to the computer system, constitute an animal identification system. As soon as communication between the transponder 8 and the sensor 9 becomes possible, the animal is identified, which has for its result that a file stored for this animal in the memory of the computer system becomes accessible, which file includes various data, such as data

for the automatic supply of food, the automatic connection of the teat cups and the subsequent automatic milking operation and for monitoring the health condition of this animal.

5 After the animal has entered the milking box 1 and has been identified therein, a detector 10, here in the form of a laser detector, is moved to under the animal. In the Figures 1 and 4, the detector 10 is disposed on a robot arm system 11, formed by robot arms 15 and 16 which are pivotal about round vertical shafts 12 and 13, this robot arm system 10 11 being attached to the railing 2 in such a manner that it is pivotal about the shaft 13. The robot arms 15 and 16 are pivotal with the aid of computer-controlled motors 37 and 38, for which stepping motors are preferably employed. Using the detector 10, the position of the teats relative to the milking box 1 can be determined, whereafter teat cups 18 can 15 be fitted on the teats. The detector 10 and the means for fitting the teat cups 18 to the teats together form a milking robot. In the embodiment shown, these means include a separate robot arm construction 9 for each of the teat cups 20 18. Such a robot arm construction 19 includes a first four-bar linkage 20, with the aid of which a vertical carrier 21 is connected capable of moving in the upward direction to frame portions 22 of the railing 2. The pivotal shafts, by means of which this four-bar linkage is connected to the frame portions, are denoted by 20A. At the lower side of the 25 carrier 21 there is present a second four-bar linkage 23, with the aid of which a robot arm 24 is movable from outside the milking box 1 into the milking box to under an animal present therein and can again be retracted to outside the milking box. This robot arm 24 is furthermore pivotal about a 30 vertical shaft 25 relative to the carrier 21. Each of the robot arms 24 acts as a carrier for one or the teat cups 18. By means of the first and second four-bar linkages 20 and 23, respectively, and the pivotal construction about the shaft 35 25, the teat cup 18 connected to the robot arm 24 can be moved omnidirectionally. In the embodiment shown, the pivotal motion of the robot arm 24 round the shaft 25 is realized by a computer-controlled motor 14, the reciprocal motion of the robot arm 24 relative to the carrier 21 by a computer-

controlled motor 17, whilst the up-and-down motion is realized with the aid of the first four-bar linkage by a computer-controlled operating cylinder 41, preferably a pneumatic cylinder. The motors 14 and 17 are preferably stepping motors.

5 A teat cup 18 is connected to the robot arm 24 by means of a flexible element, such as a cord 26, which cord is not only connected to a teat cup 18 but also to an operating cylinder, preferably a pneumatic cylinder, accommodated in the robot arm 24. If, as is shown in Figure 2, a teat cup 18, carried by the robot arm 24, is fitted on a teat, then, as soon as the teat cup 18 has been sucked to the teat with the aid of the vacuum produced therein, the cylinder accommodated in the robot arm 24 will be enabled, so that the robot arm 24 can be retracted to outside the milking box 1 and the teat cup 18 remains connected to the robot arm 24 only by the cord 26 and will, therefore, have a sufficient freedom of movement to track the animal's movements. In this situation, it may happen that the teat cups 18 are inhibited in their free motional capability by milk tubes 27 and possible pulsation tubes 28, more in particular when these tubes have been secured to the robot arm construction 19. It is, therefore, advantageous when the tubes 27, 28 can move as freely as possible and do not hamper the teat cups 18 when they follow the animal's movements. To that end, the tubes 27, 28 connected to the teat cups 18 extend during milking, taken in a plan view, from the teat cups to which these tubes are connected, obliquely forwardly in the direction of walk of the animal and outwardly and thereafter the tubes extend in the shape of a loop (see Figure 4). From the teat cups the tubes 27, 28 extend to both sides of the milking box to beside the milking box. The tubes extend in the shape of a loop to the points of connection 29, provided at the side of the milking box, for the tubes 27, 28. The loop-shaped arrangement of the tubes increases the free motional capability of the teat cups. The further milk lines and vacuum lines of the milking system are connected to the points of connection. As two robot arm constructions 19 are disposed on both sides of the milking box 1, only one point

of connection 29 on both sides is sufficient. Of course, there may be a point of connection for the tubes 27, 28 for each robot arm construction. Since the robot arms 24 are movable from outside the box obliquely rearwardly and inwardly to under the animal, the tubes 27 and 28 will first extend from a teat cup approximately in the same direction as in which the relevant robot arm 24 is located, whereafter the tubes extend in the shape of a loop transversely underneath the robot arm to the relevant point of connection 29. As between the teat cups 18 and the points of connection 29 the tubes are not connected to anything else, they can move freely near the milking box floor. Consequently, they experience a slight resistance and will substantially not obstruct the motion of the teat cups. When the teat cups have been connected to the teats, then the tubes 27, 28 will extend in a mainly horizontal plane and the tubes will be movable in this plane (see Figure 3). When the teat cups are to be uncoupled, then, because of the fact that the robot arms have been moved to outside the milking box during milking, these robot arms must first be moved towards the teat cups, whilst then simultaneously or shortly thereafter the operating cylinders in the robot arms 24 can be energized in order to pull the teat cups up against the holder at the end of the robot arm 24. Since there are four robot arm constructions 19 which operate independently of each other, the teat cups can be coupled both simultaneously and one after the other and independently of each other to the teats of an animal. Also uncoupling of a teat cup can be effected independently of the other teat cups.

When, after the milking operation has ended, a teat cup 18 has been pulled up against a relevant robot arm 24 and this arm has thereafter been returned to its position of rest outside the milking box, the teat cup can be automatically cleaned in this rest position. To that end (see Figures 1 to 3), spray heads 42 connected to a (non-shown) washing circuit are positioned at or near both sides of the milking box. Teat cups are connectable independently of each other to these spray heads 42, more in particular when the robot arms 24 carrying the teat cups 18 have been moved to their position

of rest.

Contrary to the cow standing in the milking box shown in Figure 1, the cow in the milking box shown in Figure 5 has teats which are at unequal heights. It regularly happens that cows have teats which are located very closely next to each other and/or are at different heights. Because of the advantageous construction of a separate robot arm structure for the detector 10 in accordance with the invention, it becomes possible to determine also the position of such teats. Such a robot arm structure for the detector 10 is illustrated in Figures 5 and 6. The means for the connection of the teat cups have been omitted from these drawings. The detector 10 is located on a robot arm structure 30, which is of such a design that the detector is omnidirectionally or substantially omnidirectionally movable in the milking box. The detector 10 is connected via a four-bar linkage 31 to a robot arm 32, which is part of the robot arm structure 30. The robot arm 32 is pivotal about a vertical shaft 33, arranged at the side of the milking box 1. The four-bar linkage 31 itself is connected capable of pivoting about a vertical shaft 34 to the robot arm 32. The detector 10 is further connected, capable of pivoting about its own longitudinal shaft 35, to the four-bar linkage 31 (see Figure 5). Because of the feature that it is pivotal about the shafts 33, 34 and 35 and the feature that it is movable in height with the aid of the four-bar linkage 31, the detector 10 can move around the teats in all positions and more particularly always in such a position that the teats can be detected, whatever their positions relative to each other. The four-bar linkage 31 and the pivotability of the detector 10 about its own longitudinal shaft 35 renders it possible for the detector to effect a scanning motion in different directions, so that also teats differing from normal teats can be detected. The scanning motion in the upward direction can then be effected through at least approximately five centimetres and can preferably amount to approximately ten centimetres in the vertical direction. Should there be animals of which the difference in height between the front and rear teats of the udder is still larger, then the pivotal

motion can be adapted thereto.

In the present invention, the detector is constituted by a laser detector and positioned as such in a housing having a window, through which the laser beam is transmitted. When this window gets dirty, the detection of the teats may not be sufficiently accurate. It is, therefore, important to provide the implement with means, with which the detector 10 can be cleaned. To enable cleaning in an efficient manner, the pivotal motion about the shafts 33 and 34 is such that the detector 10 can be moved to outside the milking box 1 to a cleaning position, as indicated by broken lines in Figure 6. In this position, the detector can then be cleaned using a cleaning member 36 provided for that purpose. This cleaning member 36 may include spraying and/or blowing means for spraying a cleaning agent or blowing air against the window of the detector 10, respectively.

Performing the pivotal motions about the shafts 33 and 34 and a motion in the upward direction by means of the four-bar linkage 31, as well as the rotation of the detector 10 about its own longitudinal shaft are monitored by computer-controlled motors, preferably stepping motors 37, 38, 39 and 40. Although in many cases the detector can be placed in a fixed working position, shown in Figure 6, it may sometimes be necessary for the detector 10 to be operative in a plurality of positions to enable a determination of the position of the various teats. Thus, it may be necessary for the detector 10 to be arranged for the determination of the position of the front teats in a first working position in the midway point between and before the leading teats, whilst for the determination of the position of the trailing teats the detector must be placed in a position further to the rear. It may alternatively be possible that the detector must not be arranged in the midway point between the teats, but more to the side; the latter will more specifically be the case when one teat would be in the shadow of the other teat relative to the detector or when two teats are very close to each other. Since the relative position of the teats of the several animals is known, this can be taken into account on arranging the detector in the working position under the

animal. The computer system may include a control programme adapted to the individual animals for moving the detector to an animal-specific position under the udder, which control programme can be addressed with the aid of the animal identification system for the relevant animal. This animal-attuned control program can be triggered on the basis of data present in the computer system in the data file for each animal. The detector 10 consequently has a position of rest (indicated by broken lines in Figure 4), as well as a cleaning position (see Figure 6) and one or more working positions adapted to the individual animals.

The invention is in no way limited to the embodiments described here, but also comprises all the modifications which may be applied by a person skilled in the art and which are within the scope of the claims described hereafter.

CLAIMS

1. A construction including an implement for automatically milking animals, such as cows, having one or more milking boxes (1) and one or more milking robots for automatically connecting teat cups (18) to the teats of the animals, whilst the implement further includes a detector (10) for determining the position of the teats, characterized in that the detector (10), disposed on a separate robot arm construction, is constructed in such a manner that the detector beams can be at different angles with respect to the teats of the animal to be milked.
2. A construction as claimed in claim 1, characterized in that the detector (10) is arranged for performing a scanning motion in different directions.
3. A construction including an implement for automatically milking animals, such as cows, having one or more milking boxes (1) and one or more milking robots for automatically connecting teat cups to the teats of the animals, whilst the implement further includes a detector (10) for determining the position of the teats, characterized in that the detector (10) is arranged for performing a scanning motion in different directions.
4. A construction as claimed in any one of the preceding claims, characterized in that the scanning beam of the detector (10) is disposed such that it can be moved up and down and to and fro.
5. A construction as claimed in any one of the preceding claims, characterized in that the detector (10) is of such a construction that a milking robot can connect the teat cups to the teats of an animal, which teats might be at different heights above the floor of the milking box.
6. A construction as claimed in any one of the preceding claims, characterized in that the detector (10) can perform a scanning motion through at least 5 cms, and preferably through approximately 10 cms in the vertical direction.
7. A construction as claimed in any one of the preceding claims, characterized in that the detector (10) is

connected via a four-bar linkage (31) to a robot arm (32) which is part of the robot arm construction.

8. A construction as claimed in any one of the preceding claims, characterized in that the detector (10) is capable of rotating in a mainly horizontal plane.

9. A construction as claimed in claim 8, characterized in that the detector (10) is connected, capably of rotating around a mainly vertical shaft, to the robot arm construction.

10. A construction as claimed in any one of the preceding claims, characterized in that the robot arm construction is attached to or is disposed near the side of the milking box (1).

11. A construction as claimed in any one of the preceding claims, characterized in that the robot arm construction is designed such that the detector (10) is movable to outside the milking box (1).

12. A construction as claimed in any one of the preceding claims, characterized in that the implement includes a cleaning member (36) for cleaning the detector (10).

13. A construction including an implement for automatically milking animals, such as cows, having one or more milking boxes (1) and one or more milking robots for automatically connecting teat cups to the teats of the animals, whilst the implement includes a detector (10) for determining the position of the teats, characterized in that the implement further includes a cleaning member (36) for cleaning the detector (10).

14. A construction as claimed in claim 12 or 13, characterized in that the cleaning member (36) is disposed, in connection with the side wall (5) of the milking box (1), outside the milking box (1).

15. A construction as claimed in any one of the preceding claims, characterized in that the cleaning member (36) includes spraying and/or blowing means for spraying a cleaning liquid and/or blowing air against the window of the detector (10).

16. A construction as claimed in any one of the

preceding claims, characterized in that the detector (10) is constituted by a laser.

17. A construction as claimed in any one of the preceding claims, characterized in that moving the component parts of the robot arm construction and moving the detector (10) is performed by means of computer-controlled stepping motors.

18. A construction as claimed in any one of the preceding claims, characterized in that the implement includes an animal identification system connected to a computer, in which computer a control programme adapted to the individual animals for moving the detector (10) to an animal-specific position under the udder is stored.

19. A construction as claimed in any one of the preceding claims, characterized in that the implement is arranged such that optionally the four teat cups (18) are couplable simultaneously or one after the other to the teats of an animal, whilst the teat cups (18) are further individually uncouplable.

20. A construction as claimed in one or more of the preceding claims and/or as described in the accompanying description with reference to the drawings.

21. A method of automatically milking animals, such as cows, using a milking robot with teat cups, in which the four teat cups are automatically optionally couplable simultaneously or one after the other to the teats of an animal, whilst the teat cups further are individually uncouplable.

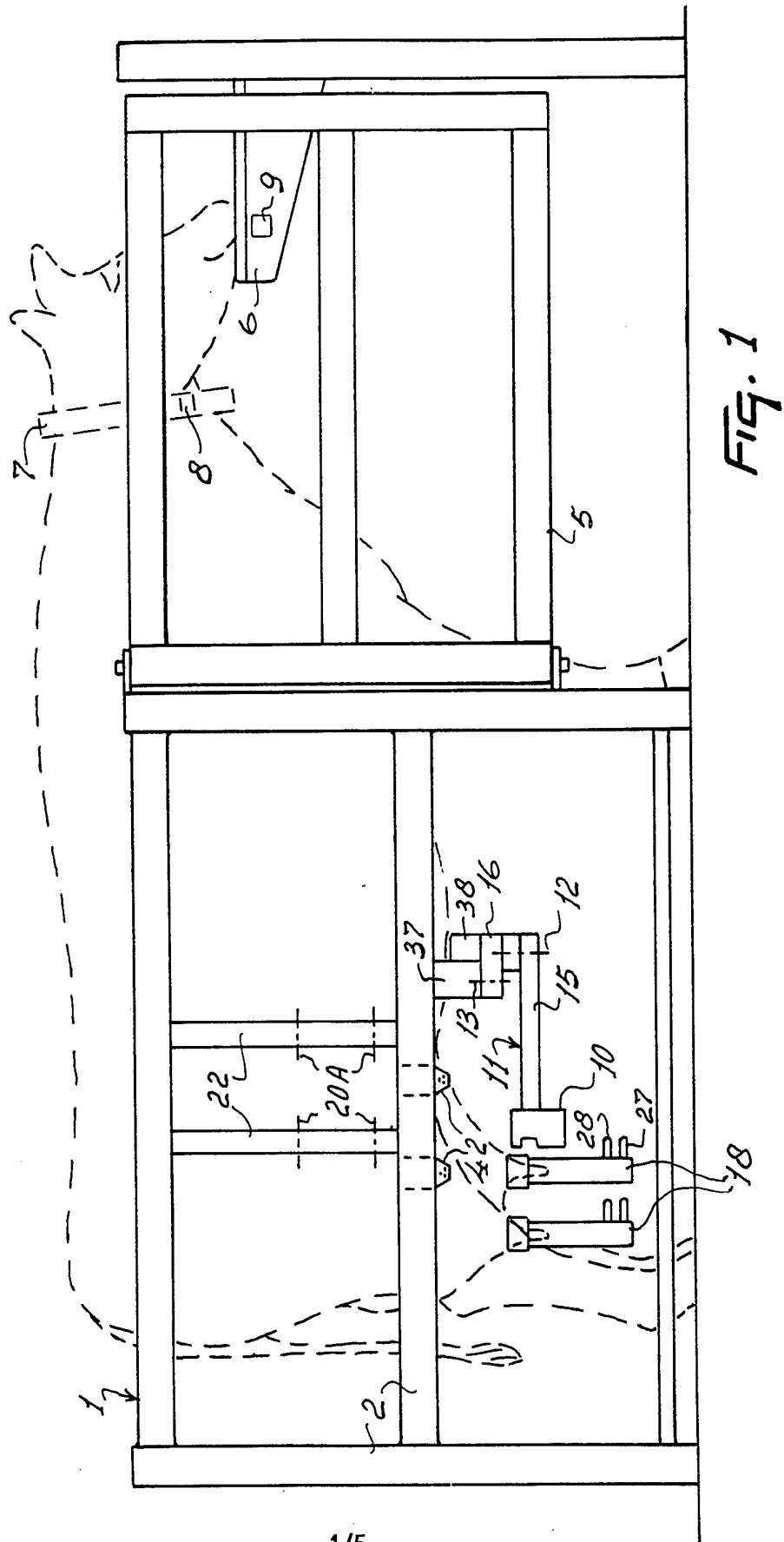
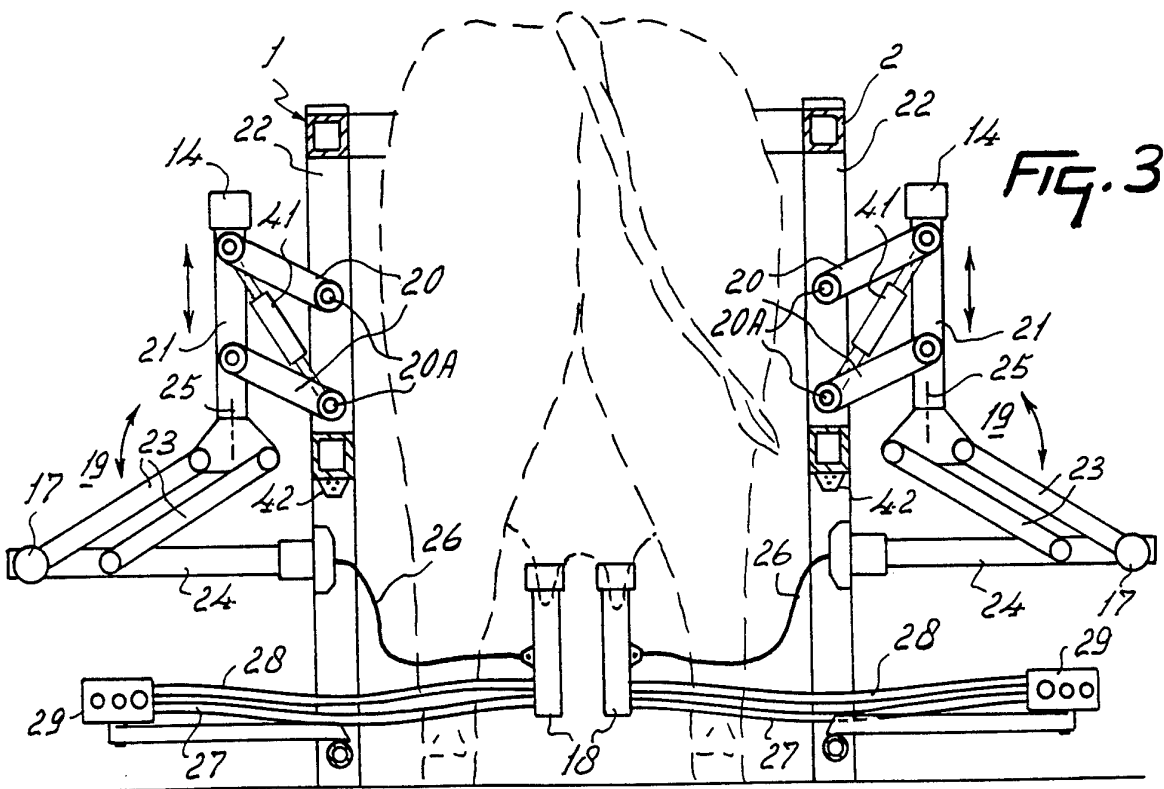
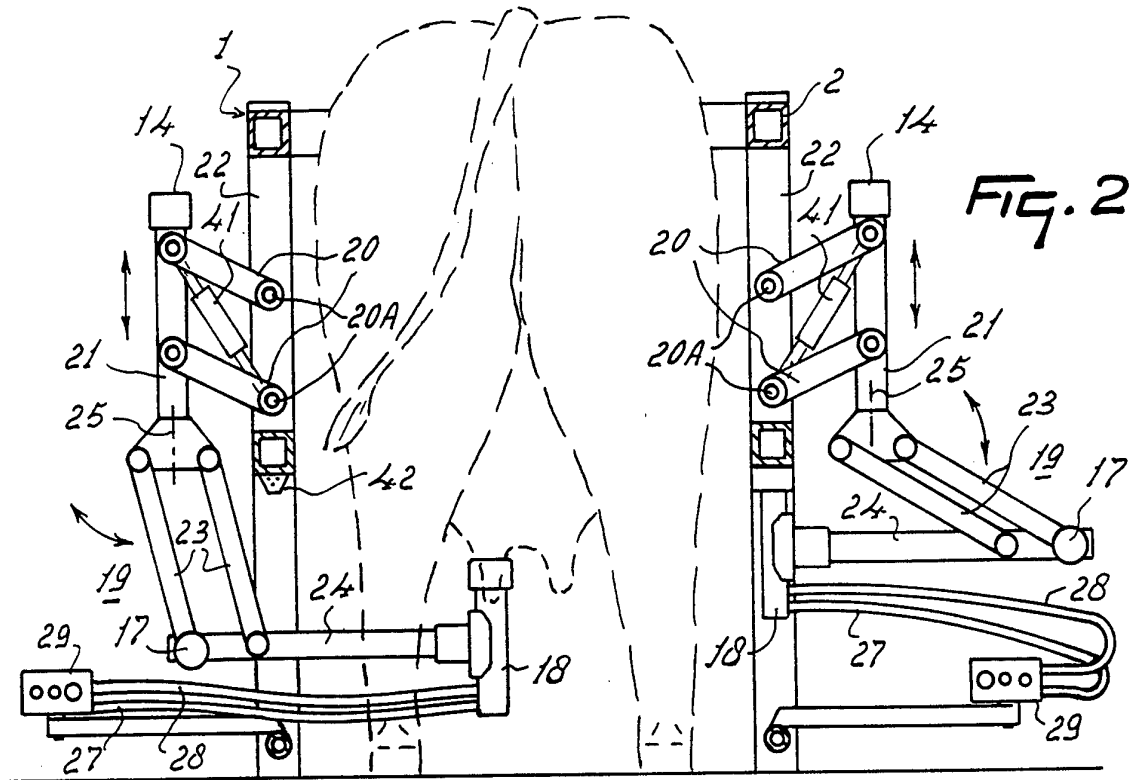


FIG. 1



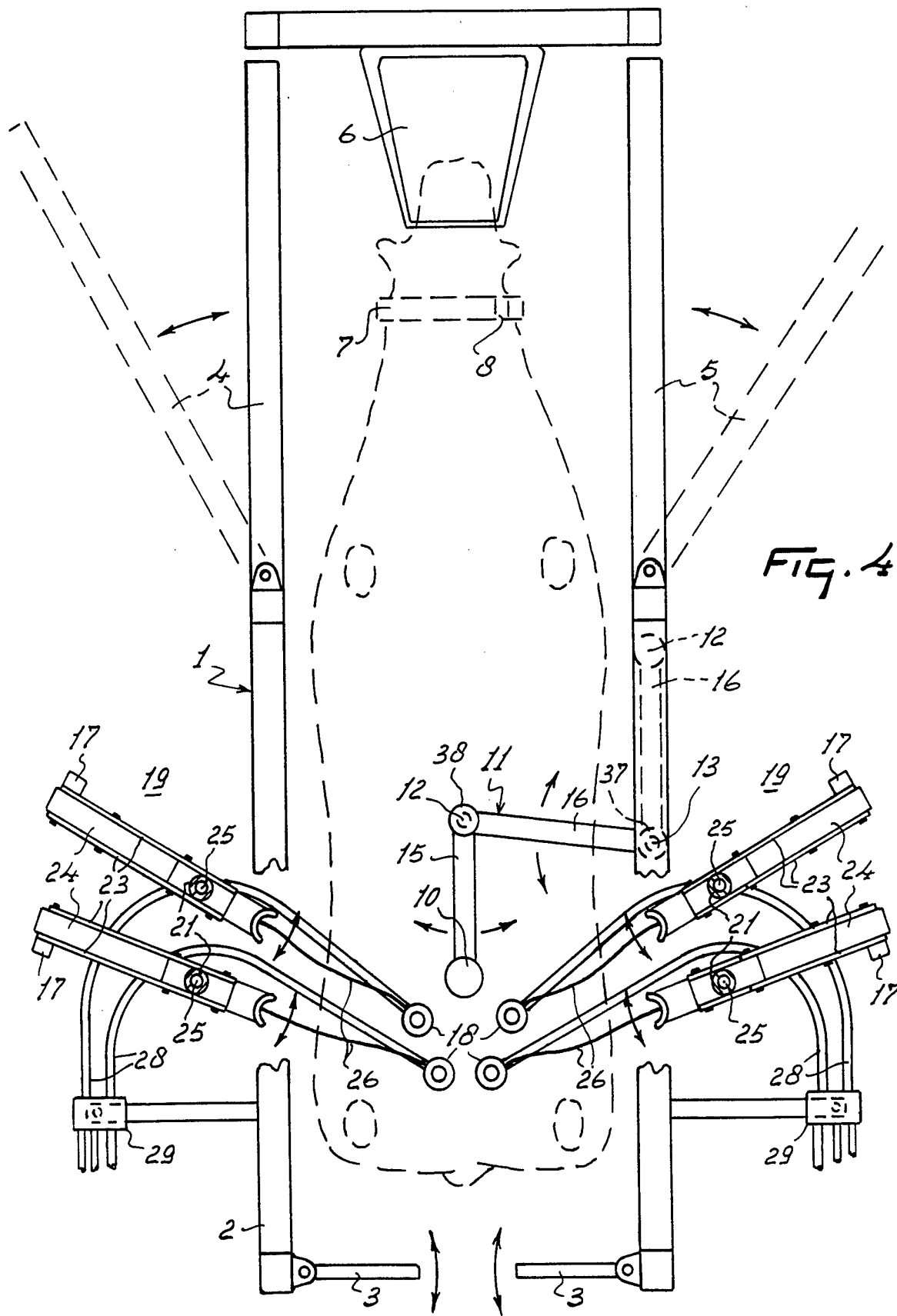


FIG. 4

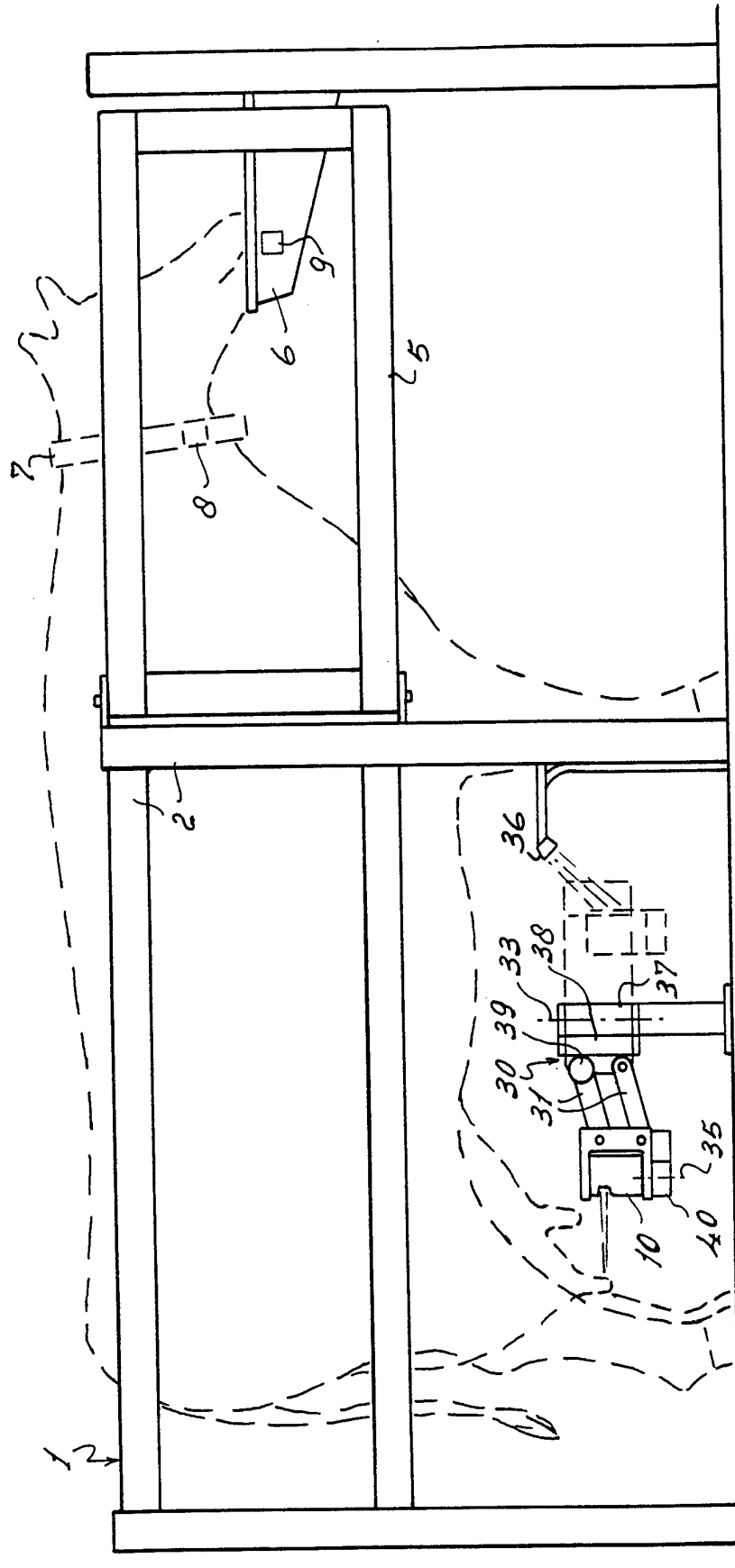


FIG. 5

