



(12) **United States Design Patent**
Ebert

(10) **Patent No.:** **US D613,652 S**
(45) **Date of Patent:** **** Apr. 13, 2010**

(54) **BRAKE SPIDER FOR TRAILERS**

(76) Inventor: **James L. Ebert**, 10003 State Rte. 13,
Huron, OH (US) 44839

(**) Term: **14 Years**

(21) Appl. No.: **29/303,577**

(22) Filed: **Feb. 12, 2008**

(51) **LOC (9) Cl.** **12-16**

(52) **U.S. Cl.** **D12/180**

(58) **Field of Classification Search** **D8/397,**
D8/394, 382, 349; D23/249; 411/431, 999,
411/102, 910, 429, 90, 92, 93, 95; D12/180,
D12/174, 400; 475/235; 188/206 A, 330;
301/130

See application file for complete search history.

(56) **References Cited**

U.S. PATENT DOCUMENTS

1,358,532	A *	11/1920	Dove	301/130
D199,620	S *	11/1964	Kay	D12/180
3,385,405	A *	5/1968	Cullen	188/206 A
3,493,026	A *	2/1970	Stotler et al.	411/120
4,284,114	A *	8/1981	Korenobu	411/119
4,337,851	A *	7/1982	Pringle	188/330
4,734,001	A *	3/1988	Bennett	411/119
4,735,533	A *	4/1988	Gallagher et al.	411/119
4,809,820	A *	3/1989	Smith	188/79.55
D305,927	S *	2/1990	Linderman et al.	D23/249
5,054,586	A *	10/1991	Nordine	188/79.55
5,069,315	A *	12/1991	VanWeelden et al.	188/79.55
D382,470	S *	8/1997	Lu	D23/394
6,131,710	A *	10/2000	Power	188/330
6,360,859	B1 *	3/2002	Angerfors	188/330
6,398,312	B1 *	6/2002	Marczynski et al.	...	301/35.622
D466,846	S *	12/2002	Krivenkoff	D12/180
6,595,597	B2 *	7/2003	Marczynski et al.	...	301/37.374
6,796,907	B2 *	9/2004	McGuire et al.	470/23

D528,951	S *	9/2006	Oben	D12/180
D595,627	S *	7/2009	Danielsson	D12/180
2002/0033315	A1 *	3/2002	Yamane	192/107 M
2006/0170279	A1 *	8/2006	Ebert	301/130
2006/0225974	A1 *	10/2006	Inada et al.	188/206 A
2009/0060677	A1 *	3/2009	Adams	411/431

FOREIGN PATENT DOCUMENTS

EP 0064215 * 11/1982

* cited by examiner

Primary Examiner—Robert M Spear

Assistant Examiner—Cynthia Underwood

(74) *Attorney, Agent, or Firm*—David D. Murray; Raymond J. Vivacqua

(57) **CLAIM**

The ornamental design for a brake spider for trailers, as shown.

DESCRIPTION

FIG. 1 is a perspective view of a brake spider for trailers according to the present invention;

FIG. 2 is a front, elevational view of a brake spider for trailers according to the present invention;

FIG. 3 is a top, plan view of a brake spider for trailers according to the present invention;

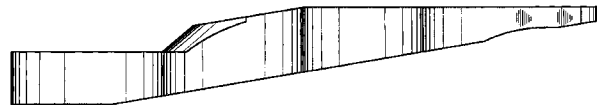
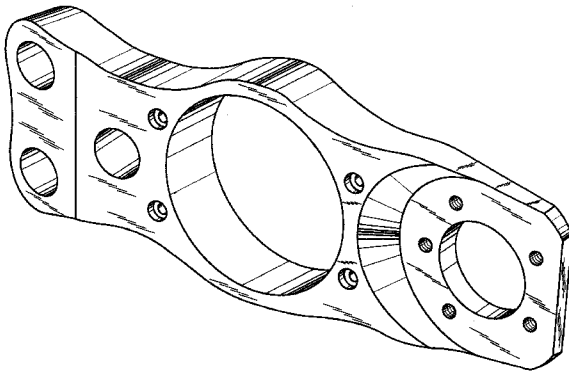
FIG. 4 is a bottom, plan view of a brake spider for trailers according to the present invention;

FIG. 5 is a rear, elevational view of a brake spider for trailers according to the present invention;

FIG. 6 is a left side, elevational view of a brake spider for trailers according to the present invention; and,

FIG. 7 is a right side, elevational view of a brake spider for trailers according to the present invention.

1 Claim, 5 Drawing Sheets



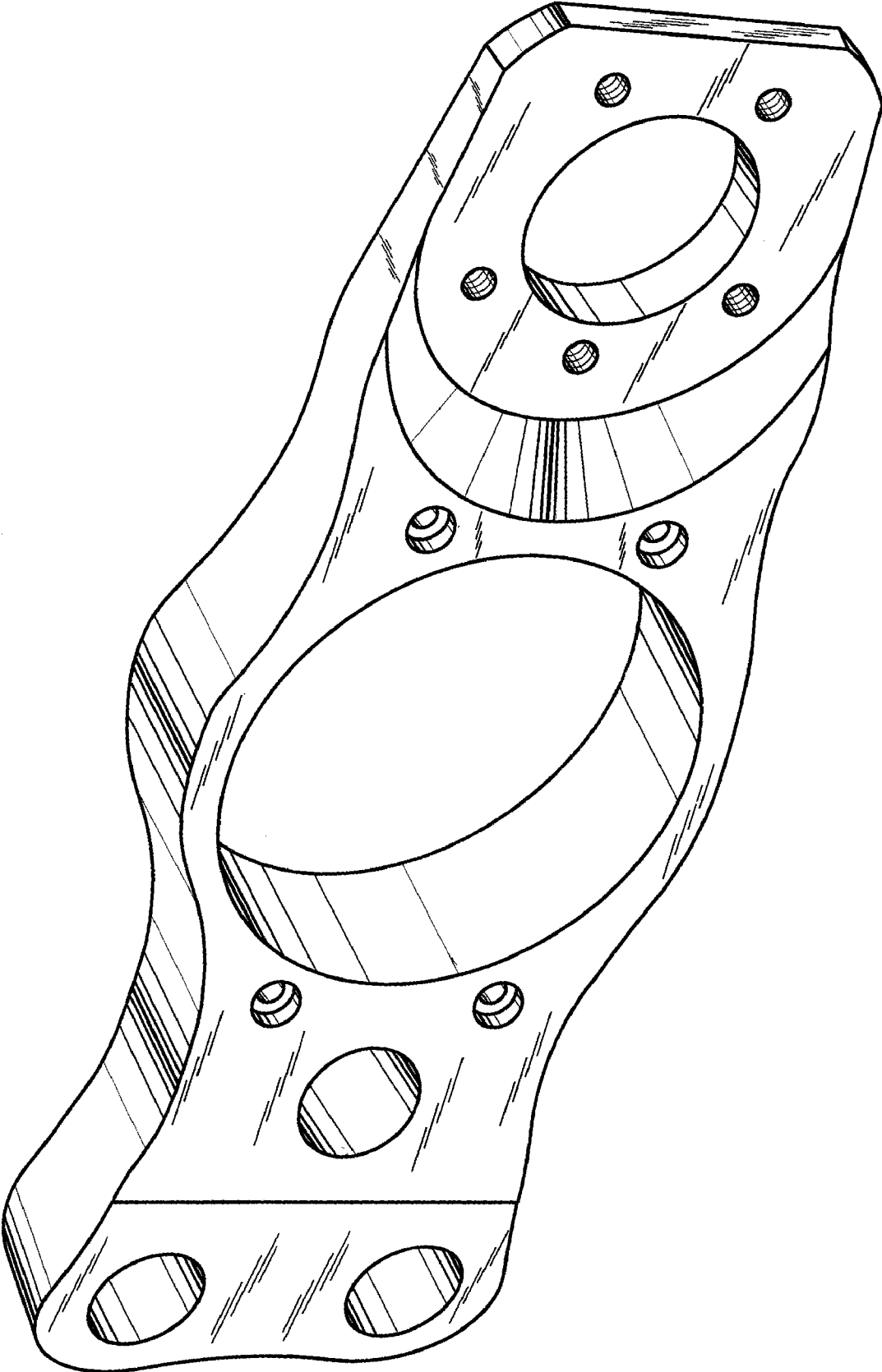


FIG. 1

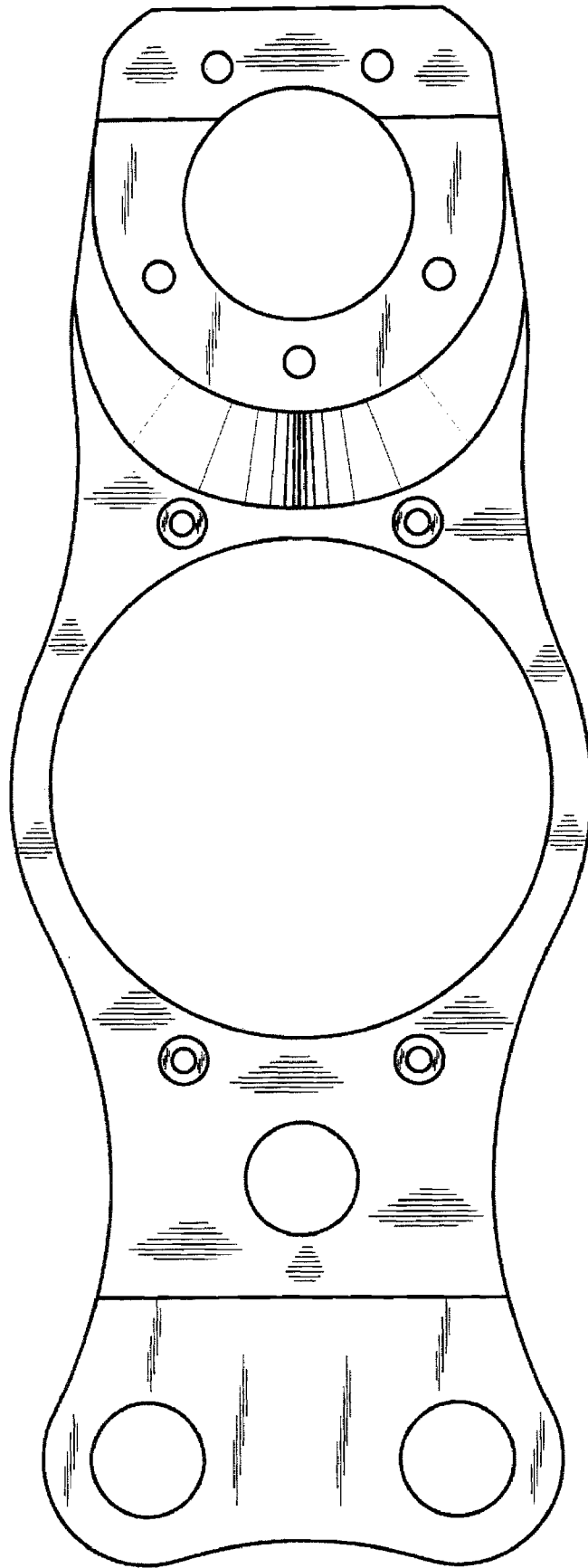


FIG. 2

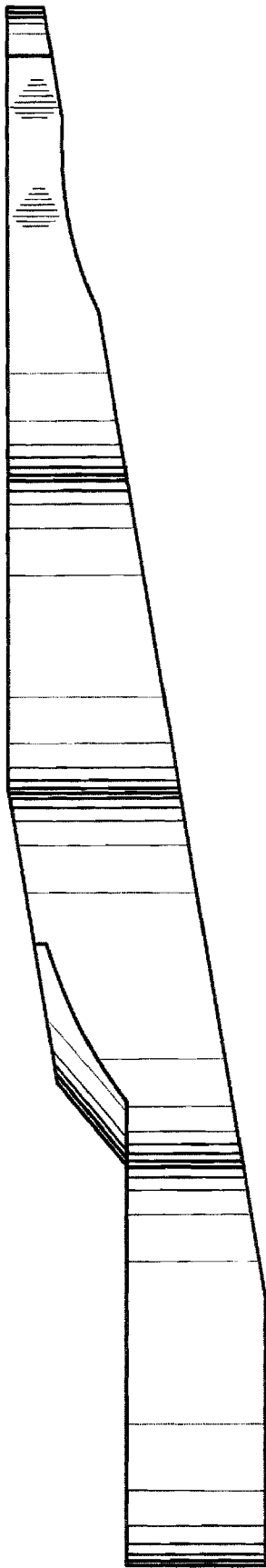


FIG. 3

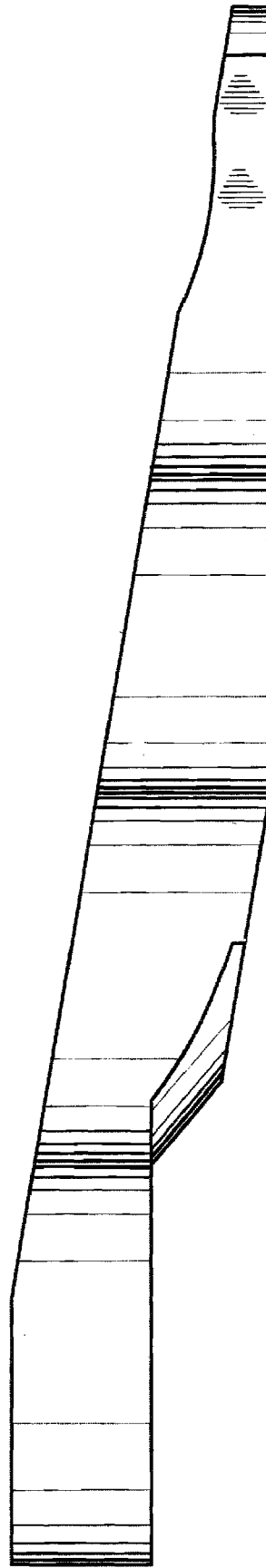


FIG. 4

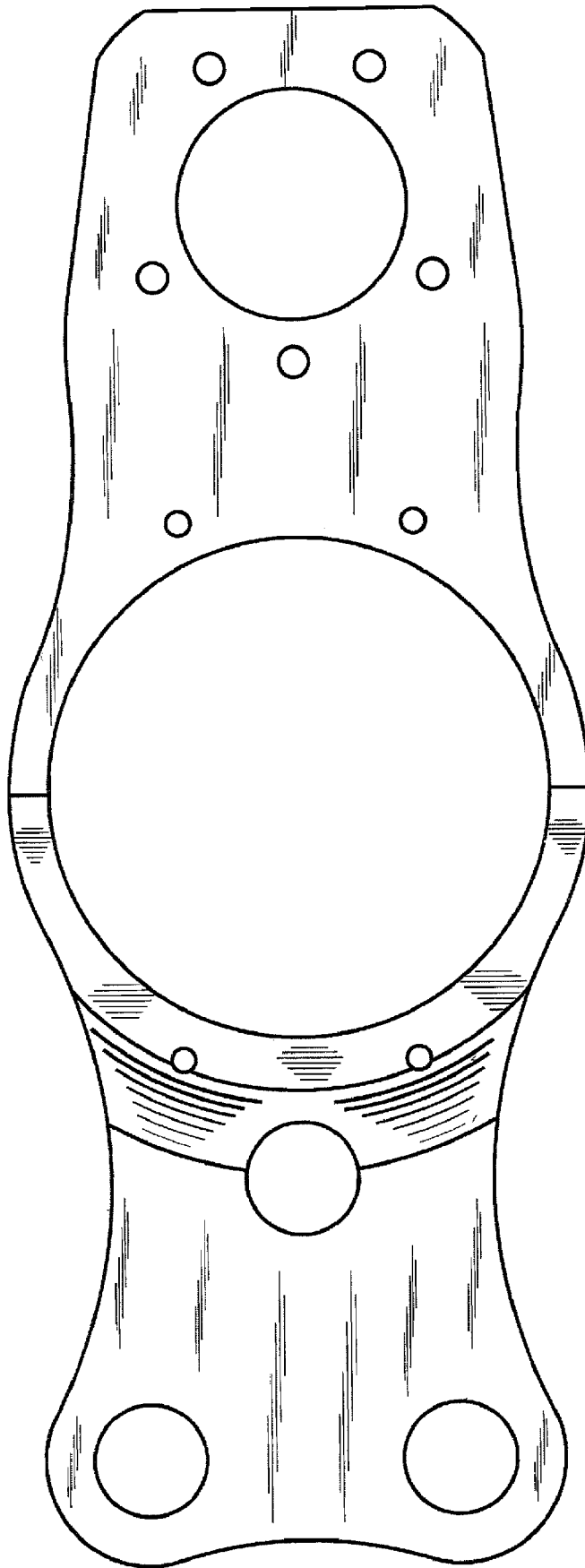
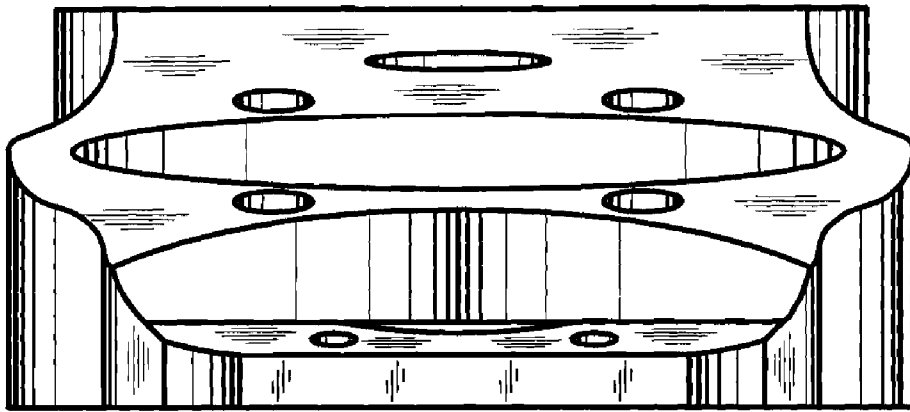
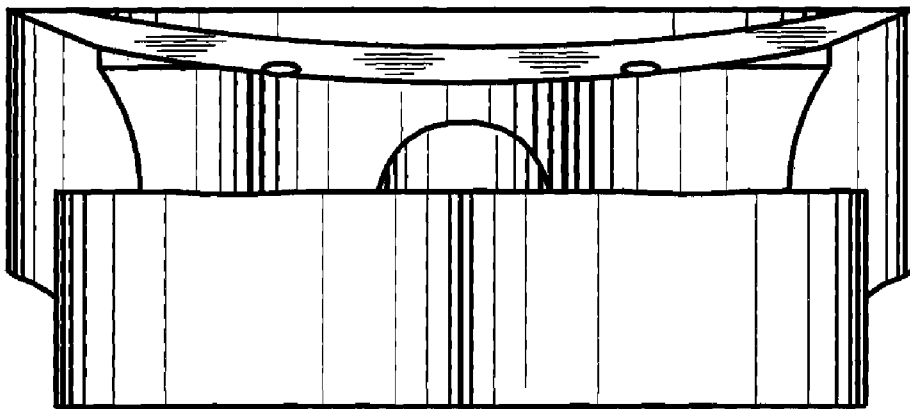


FIG. 5



—FIG. 7



—FIG. 6