



US00D741863S

(12) **United States Design Patent**
Hoock

(10) **Patent No.:** **US D741,863 S**

(45) **Date of Patent:** **** Oct. 27, 2015**

(54) **JOYSTICK**

(71) Applicant: **NACCO Materials Handling Group, Inc.**, Fairview, OR (US)

(72) Inventor: **Michael Hoock**, Lonato (IT)

(73) Assignee: **NACCO Materials Handling Group, Inc.**, Fairview, OR (US)

(**) Term: **14 Years**

(21) Appl. No.: **29/513,252**

(22) Filed: **Dec. 29, 2014**

Related U.S. Application Data

(62) Division of application No. 29/487,005, filed on Apr. 4, 2014, now Pat. No. Des. 723,033.

Foreign Application Priority Data

Oct. 7, 2013 (EM) 002321182-0001

(51) **LOC (10) Cl.** **14-03**

(52) **U.S. Cl.**
USPC **D14/413**

(58) **Field of Classification Search**

USPC D14/399-401, 412-416, 217, 218, 356,
D14/432-434, 454, 496; D21/324, 332,
D21/333; 273/148 B; 463/1, 29-25, 46, 47;
345/156-161, 905; D12/174, 178-180;
74/489, 551.8, 551.9; D13/168
CPC A63F 9/00; A63F 9/24; A63F 13/00;
A63F 13/02; A63F 9/25

See application file for complete search history.

(56) **References Cited**

U.S. PATENT DOCUMENTS

D366,910 S *	2/1996	Hsieh	D14/412
5,749,577 A *	5/1998	Couch	A63F 13/06 273/148 B
5,818,037 A *	10/1998	Redford	G01D 5/30 250/221
D413,880 S *	9/1999	Barnes	D14/416
D486,151 S *	2/2004	Mukaida	D14/412
7,059,207 B2 *	6/2006	Harris	G01N 1/08 73/864.45
D577,359 S *	9/2008	Cigarini	D12/179
D584,312 S *	1/2009	Bishop	D14/412
D628,216 S *	11/2010	Ulbrich	D15/28
D720,350 S *	12/2014	Haubrich	D14/415
D723,033 S *	2/2015	Hoock	D14/412
2005/0034549 A1 *	2/2005	Braud	B66F 9/20 74/473.1

* cited by examiner

Primary Examiner — Prabhakar Deshmukh

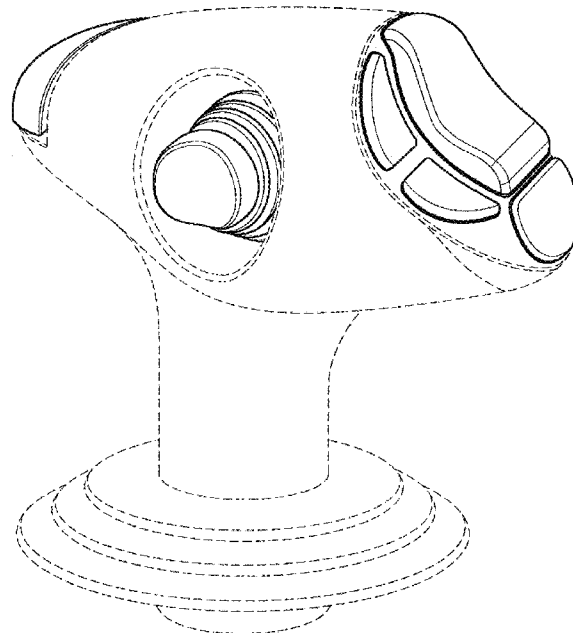
(57) **CLAIM**

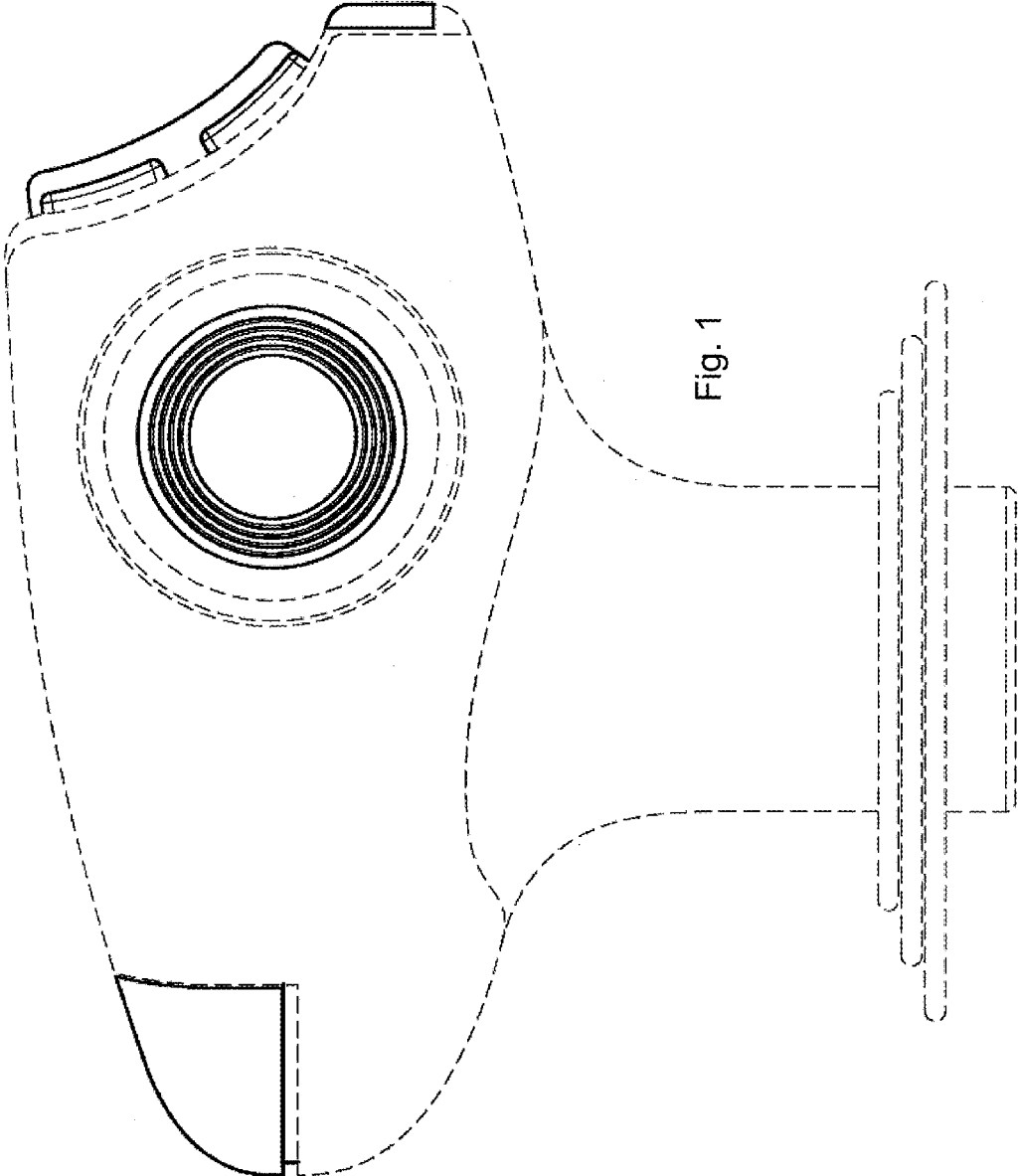
I claim the ornamental design for joystick, as shown and described.

DESCRIPTION

FIG. 1 is a left side elevational view of a joystick showing my new design;
FIG. 2 is a top plan view thereof;
FIG. 3 is a rear side elevational view thereof;
FIG. 4 is a rear left perspective view thereof; and,
FIG. 5 is a rear right perspective view thereof.
The broken lines indicate environment and forms no part of the claimed design.

1 Claim, 5 Drawing Sheets





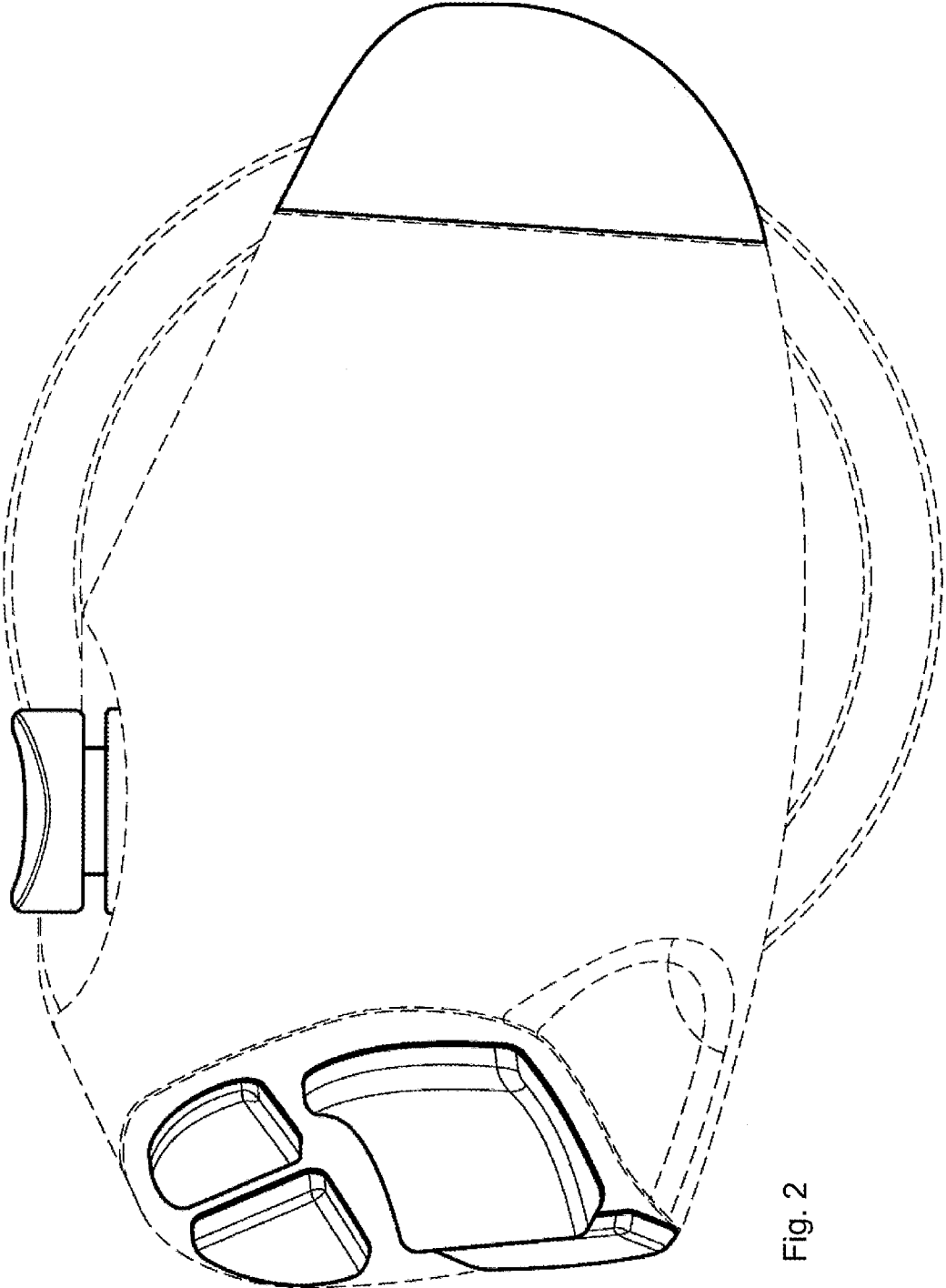


Fig. 2

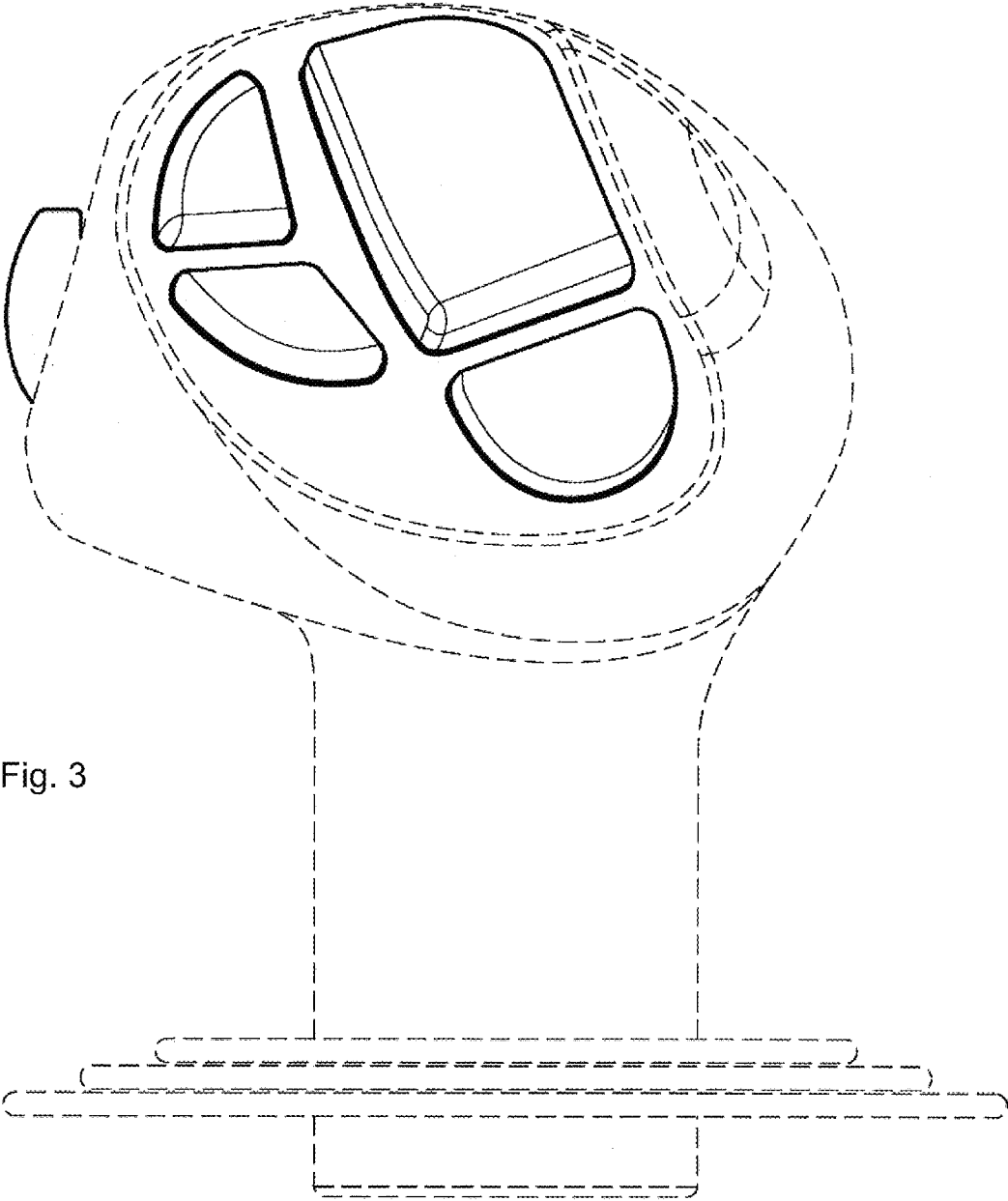


Fig. 3

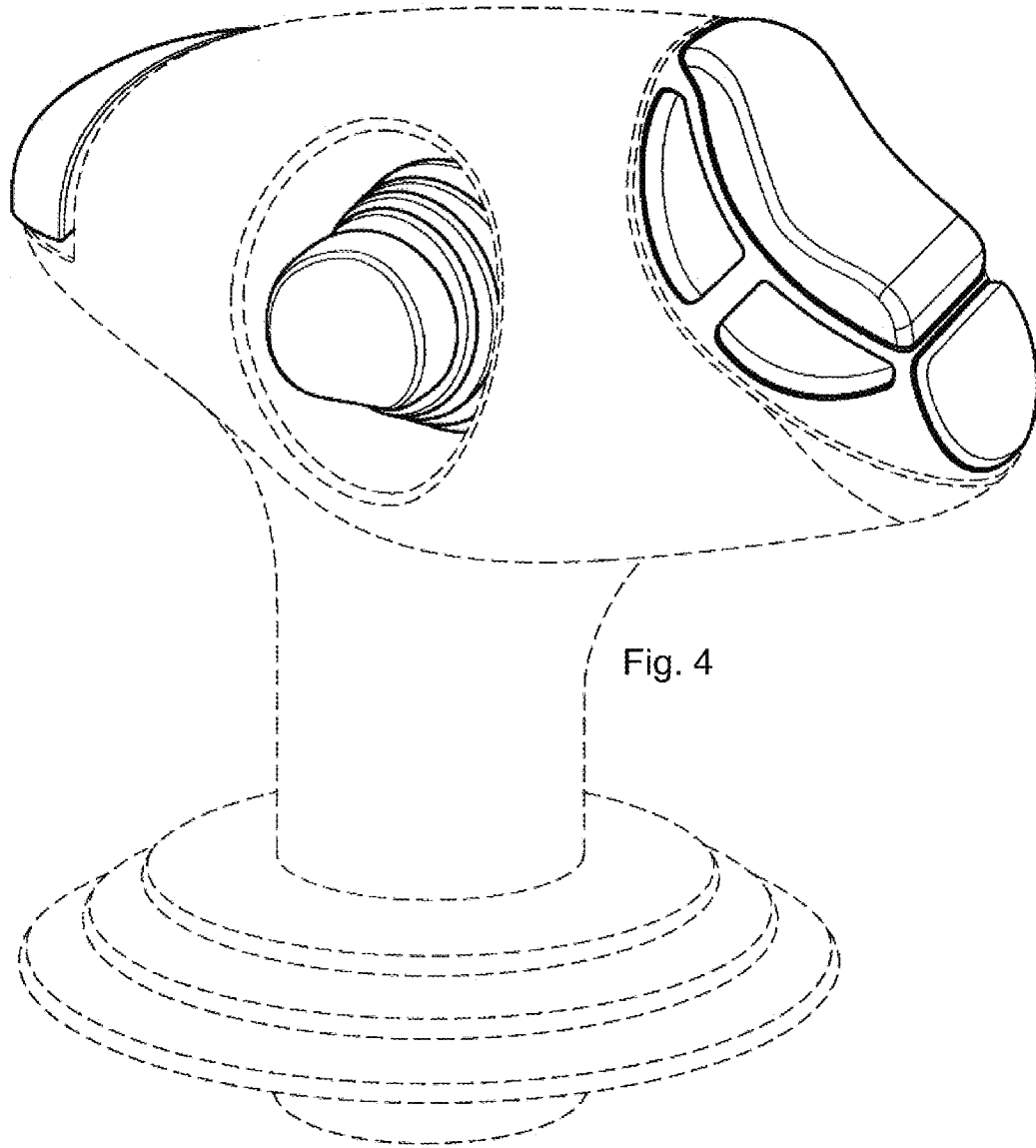


Fig. 5

