



US00D788910S

(12) **United States Design Patent**
Au et al.

(10) **Patent No.:** **US D788,910 S**

(45) **Date of Patent:** **** Jun. 6, 2017**

(54) **ORAL IRRIGATOR POWER SUPPLY
CARTRIDGE**

(71) Applicant: **WATER PIK, INC.**, Fort Collins, CO
(US)

(72) Inventors: **Heman Au**, Seattle, WA (US); **Jeff
Ladwig**, Seattle, WA (US)

(73) Assignee: **Water Pik, Inc.**, Fort Collins, CO (US)

(**) Term: **15 Years**

(21) Appl. No.: **29/552,694**

(22) Filed: **Jan. 25, 2016**

(51) **LOC (10) Cl.** **24-02**

(52) **U.S. Cl.**

USPC **D24/127**

(58) **Field of Classification Search**

USPC D24/127-131, 111, 108, 112-114, 133,
D24/186; 433/80; 601/162

CPC . A61C 17/02; A61C 17/0202; A61C 17/0214;
A61C 17/0205

See application file for complete search history.

(56) **References Cited**

U.S. PATENT DOCUMENTS

D354,559 S *	1/1995	Knute	D24/108
D416,999 S *	11/1999	Miyamoto	D24/111
D449,884 S *	10/2001	Tobin	D24/111
D457,949 S *	5/2002	Krug	D24/111
D585,132 S *	1/2009	Pukall	D24/111
D588,262 S *	3/2009	Pukall	D24/108
D625,406 S *	10/2010	Seki	D24/111
D626,647 S *	11/2010	Amborn	D24/111
D686,311 S *	7/2013	Mori	D24/108
D700,343 S *	2/2014	Liu	D24/186

D709,183 S *	7/2014	Kemlein	D24/111
D745,423 S *	12/2015	Khattak	D10/81
D746,975 S *	1/2016	Schenck	D24/111
D764,051 S *	8/2016	Wang	D24/111
D774,651 S *	12/2016	Kaib	D24/186
D776,253 S *	1/2017	Li	D24/108

* cited by examiner

Primary Examiner — David Muller

(74) *Attorney, Agent, or Firm* — Dorsey & Whitney LLP

(57) **CLAIM**

The ornamental design for an oral irrigator power supply cartridge, as shown and described.

DESCRIPTION

FIG. 1 is a front isometric view of an oral irrigator power supply cartridge.

FIG. 2 is a rear isometric view of the oral irrigator power supply cartridge of FIG. 1.

FIG. 3 is a front elevation view of the oral irrigator power supply cartridge of FIG. 1.

FIG. 4 is a rear elevation view of the oral irrigator power supply cartridge of FIG. 1.

FIG. 5 is a left side elevation view of the oral irrigator power supply cartridge of FIG. 1.

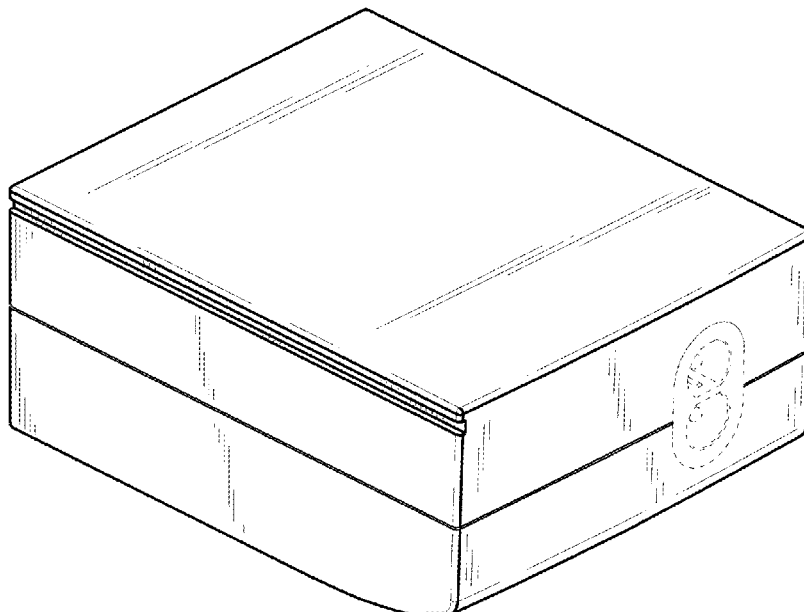
FIG. 6 is a right side elevation view of the oral irrigator power supply cartridge of FIG. 1.

FIG. 7 is a top plan view of the oral irrigator power supply cartridge of FIG. 1; and,

FIG. 8 is a bottom plan view of the oral irrigator power supply cartridge FIG. 1.

The broken lines, which define the bounds of the claimed design, form no part of the claimed design.

1 Claim, 5 Drawing Sheets



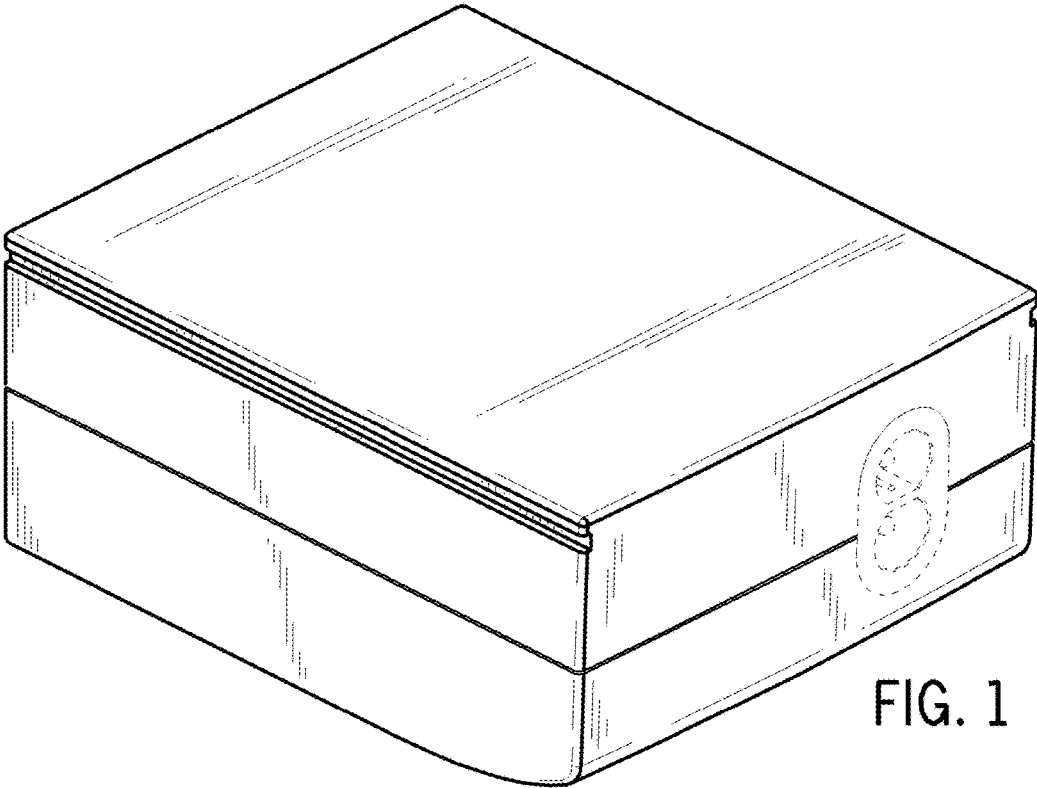


FIG. 1

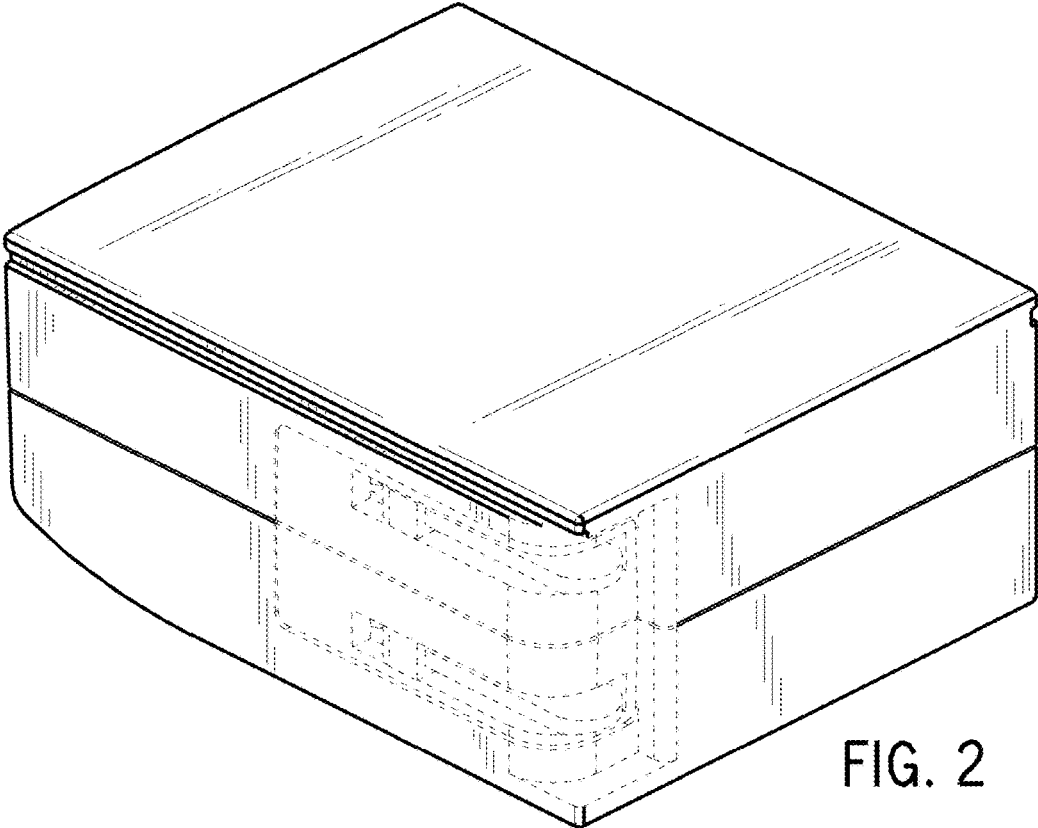


FIG. 2

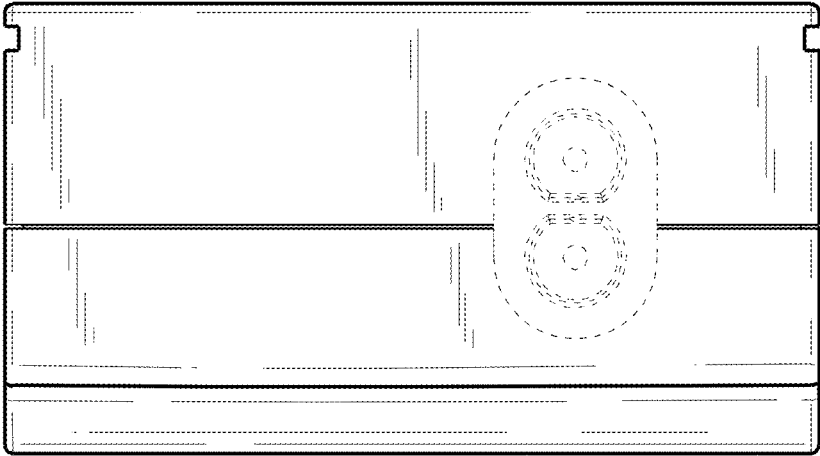


FIG. 3

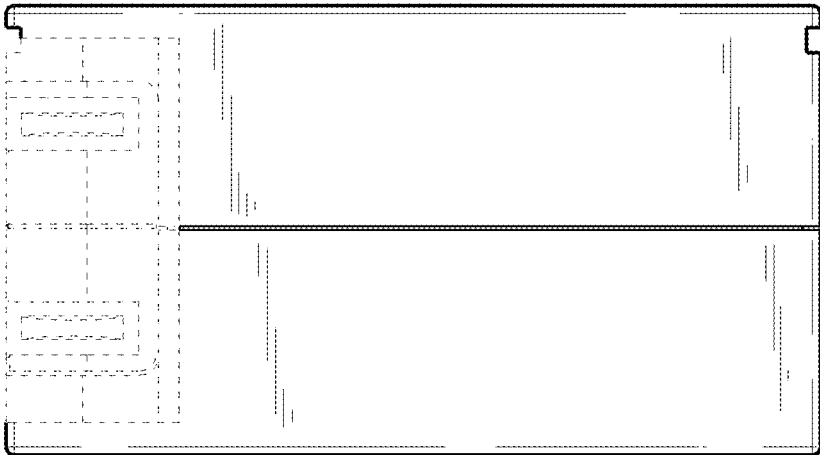


FIG. 4

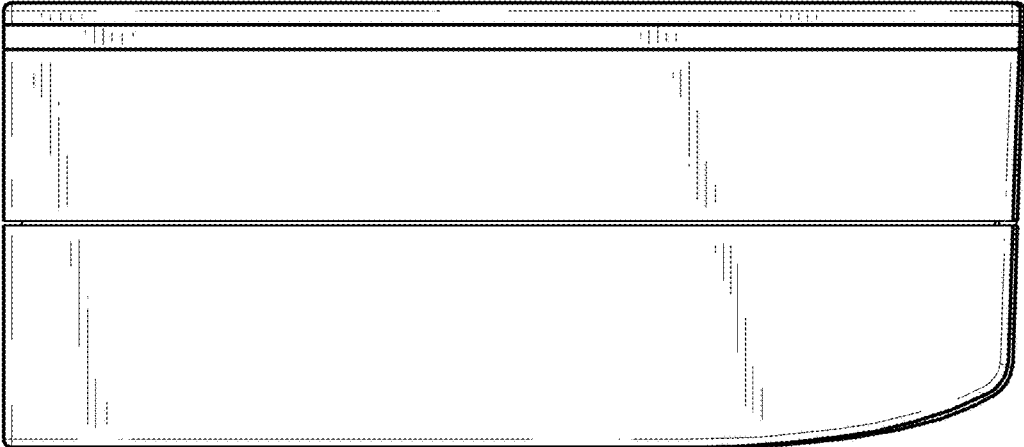


FIG. 5

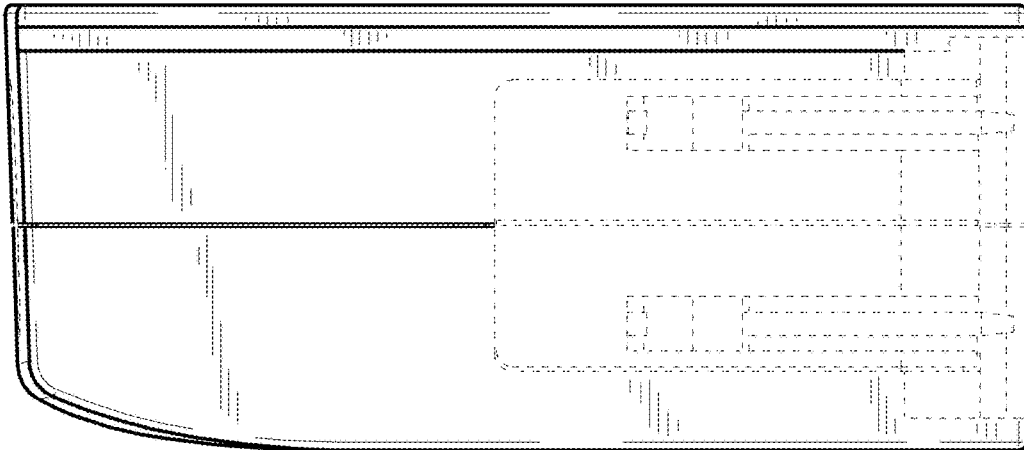


FIG. 6

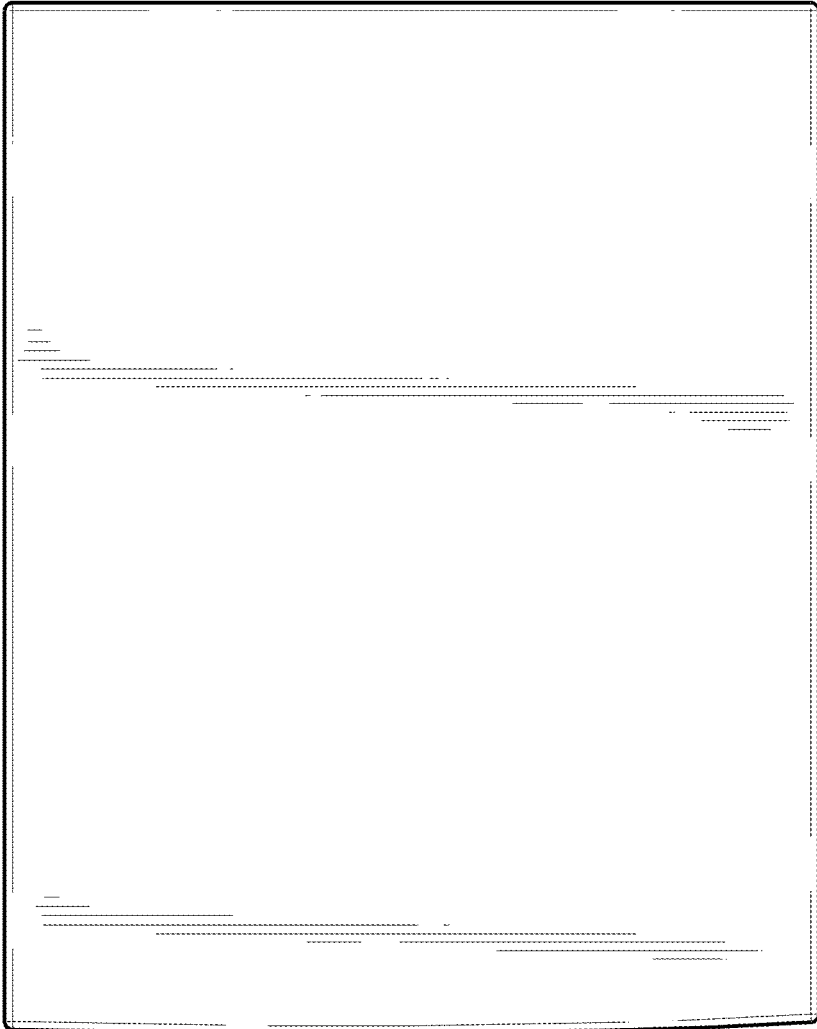


FIG. 7

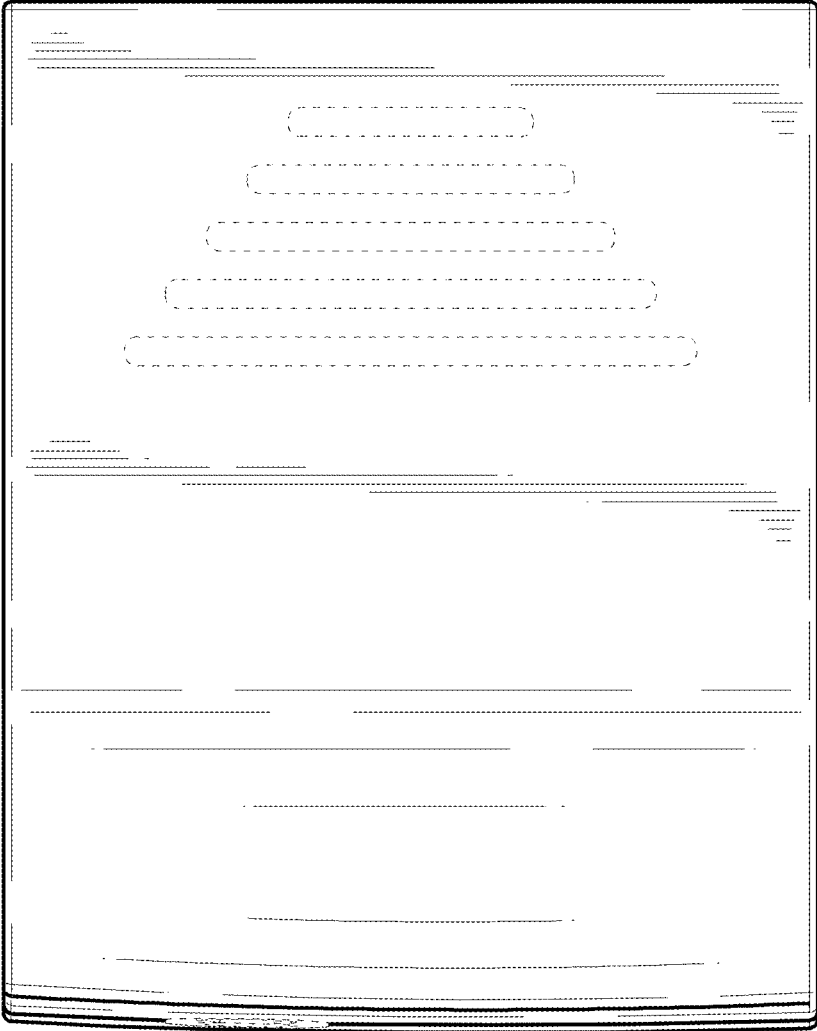


FIG. 8