



US00D748764S

(12) **United States Design Patent**
Berardi

(10) **Patent No.:** **US D748,764 S**

(45) **Date of Patent:** **** Feb. 2, 2016**

(54) **EXPANDABLE HOSE OUTLET COUPLER**

4,154,237 A 5/1979 Courter
4,159,027 A * 6/1979 Caillet E03C 1/021
138/109

(71) Applicant: **Blue Gentian, LLC**, Palm Beach
Gardens, FL (US)

4,394,861 A 7/1983 Sciortino
4,404,969 A 9/1983 Cresswell et al.
4,445,543 A 5/1984 Mead
4,467,837 A 8/1984 Baker
4,669,757 A 6/1987 Bartholomew

(72) Inventor: **Michael Berardi**, Palm Beach Gardens,
FL (US)

(Continued)

(73) Assignee: **Blue Gentian, LLC**, Palm Beach
Gardens, FL (US)

FOREIGN PATENT DOCUMENTS

(**) Term: **14 Years**

EP 1271033 8/2004
EP 2520840 7/2012

(21) Appl. No.: **29/508,302**

OTHER PUBLICATIONS

(22) Filed: **Nov. 5, 2014**

(51) **LOC (10) Cl.** **23-01**

(52) **U.S. Cl.**

USPC **D23/262**

(58) **Field of Classification Search**

USPC D23/259-263, 266-269, 233; 251/215,
251/216; 285/369, 372, 373, 417, 133.11,
285/133.3, 133.21, 133.4, 133.5, 133.6

CPC F16L 11/00; F16L 37/252; F16L 41/007;
E03C 1/26; E03C 1/262; E03C 1/28; E03F
5/04; A61B 5/00; A61M 25/09016

See application file for complete search history.

RCD File, Community Design 002083048-0001, <https://oami.europa.eu/eSearch/#details/designs/002083048-0001>, (retrieved from Internet Jun. 6, 2014).

RCD File, Community Design 002083048-0002, <https://oami.europa.eu/eSearch/#details/designs/002083048-0002> (retrieved from Internet Jun. 6, 2014).

(Continued)

Primary Examiner — Sandra Snapp

(74) *Attorney, Agent, or Firm* — McHale & Slavin, P.A.

(57)

CLAIM

The ornamental design for an expandable hose outlet coupler, as shown and described.

(56)

References Cited

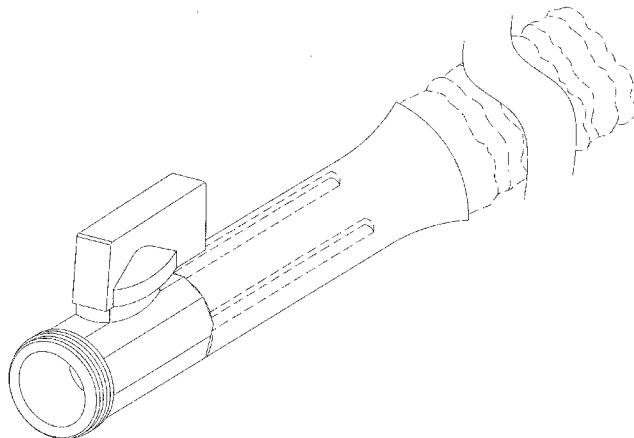
U.S. PATENT DOCUMENTS

126,069 A	4/1872	McBurney	
543,220 A	7/1895	Ross	
674,045 A	5/1901	Sullivan	
1,179,374 A	4/1916	Many	
1,220,661 A	3/1917	Many	
2,634,071 A	4/1953	Lund	
2,829,671 A *	4/1958	Ernst F16L 33/24 138/127
2,858,854 A	11/1958	Daggett	
D206,236 S	11/1966	Seckel	
3,861,424 A	1/1975	Mizutani et al.	
3,980,325 A	9/1976	Robertson	
4,091,063 A	5/1978	Logan	
4,140,154 A	2/1979	Kanao	

DESCRIPTION

FIG. 1 is a perspective view of the expandable hose outlet coupler of the instant invention; FIG. 2 is a right view thereof; FIG. 3 is a left side view thereof; FIG. 4 is a bottom side view thereof; FIG. 5 is a top side view thereof; FIG. 6 is a first end view thereof; and, FIG. 7 is a second end view thereof. The broken lines illustrate the unclaimed hose and other matter and form no part of the claimed design.

1 Claim, 6 Drawing Sheets



(56)

References Cited

U.S. PATENT DOCUMENTS

4,736,969 A 4/1988 Fouts
 D297,759 S * 9/1988 Kerschke D23/266
 4,926,805 A * 5/1990 Tomlinson F01L 1/146
 123/90.61
 5,023,959 A 6/1991 Mercer
 D318,055 S * 7/1991 Tomlinson D15/5
 D323,207 S * 1/1992 Cole D23/266
 5,148,836 A 9/1992 Lawrence
 5,555,915 A 9/1996 Kanao
 5,558,375 A 9/1996 Newman
 5,816,622 A 10/1998 Carter
 5,915,735 A 6/1999 Noble
 5,918,642 A 7/1999 Akedo et al.
 5,947,116 A 9/1999 Gamow et al.
 6,024,132 A 2/2000 Fujimoto
 6,103,971 A 8/2000 Sato et al.
 6,192,940 B1 2/2001 Koma et al.
 6,202,263 B1 3/2001 Harker
 6,305,428 B1 10/2001 Nakamura et al.
 6,408,848 B1 6/2002 Feldman et al.
 6,446,661 B2 9/2002 Armenia et al.
 6,523,539 B2 2/2003 McDonald et al.
 D472,558 S * 4/2003 MacPherson D15/7
 6,568,610 B1 5/2003 Erickson
 6,659,366 B1 12/2003 Walters
 6,698,457 B2 3/2004 Hayashi et al.
 D500,505 S * 1/2005 Selic D15/2
 6,948,527 B2 9/2005 Ragner et al.
 D586,435 S * 2/2009 Reckseen D23/266
 7,735,523 B2 6/2010 Smith et al.
 D623,200 S * 9/2010 Fulkerson D15/7
 7,794,374 B1 9/2010 Park
 D702,810 S * 4/2014 Stednitz D23/213
 D707,334 S * 6/2014 Hernandez D23/266
 D719,646 S * 12/2014 Melo D23/266
 D719,647 S * 12/2014 Melo D23/266
 D724,104 S * 3/2015 Carruth D15/7
 D728,080 S * 4/2015 Selby D23/266
 2002/0013974 A1 2/2002 Gibson et al.
 2004/0231096 A1 11/2004 Battle et al.
 2009/0301593 A1 12/2009 Zucchi et al.

OTHER PUBLICATIONS

RCD File, Community Design 002083048-0003, <https://oami.europa.eu/eSearch/#details/designs/002083048-0003>, (retrieved from Internet Jun. 6, 2014).
 RCD File, Community Design 002083048-0004, <https://oami.europa.eu/eSearch/#details/designs/002083048-0004>, (retrieved from Internet Jun. 6, 2014).
 RCD File, Community Design 002083048-0005, <https://oami.europa.eu/eSearch/#details/designs/002083048-0005>, (retrieved from Internet Jun. 6, 2014).
 RCD File, Community Design 002083048-0006, <https://oami.europa.eu/eSearch/#details/designs/002083048-0006>, (retrieved from Internet Jun. 6, 2014).
 RCD File, Community Design 002083048-0007, <https://oami.europa.eu/eSearch/#details/designs/002083048-0007>, (retrieved from Internet Jun. 6, 2014).
 RCD File, Community Design 002083048-0009, <https://oami.europa.eu/eSearch/#details/designs/002083048-0009>, (retrieved from Internet Jun. 6, 2014).
 RCD File, Community Design 002083048-0010, <https://oami.europa.eu/eSearch/#details/designs/002083048-0010>, (retrieved from Internet Jun. 6, 2014).
 RCD File, Community Design 002083048-0011, <https://oami.europa.eu/eSearch/#details/designs/002083048-0011>, (retrieved from Internet Jun. 6, 2014).
 RCD File, Community Design 002083048-0012, <https://oami.europa.eu/eSearch/#details/designs/002083048-0012>, (retrieved from Internet Jun. 6, 2014).
 RCD File, Community Design 002083048-0013, <https://oami.europa.eu/eSearch/#details/designs/002083048-0013>, (retrieved from Internet Jun. 6, 2014).
 Invalidation Application: Adversarial Proceedings Communication to the Holder, Community Design No. 2083048-0004, pp. 3-25, Alicante, Spain, (Jun. 4, 2014).
 Notification of a Decision on the Invalidation Division Communication to the Holder, Community Design No. 002083048-0004, pp. 2-9, Alicante, Spain, (Jun. 18, 2014).
 Application for Declaration of Invalidation of a Registered Community Design, Community Design No. 002083048-0003, includes prior art support, pp. 2-32, Alicante, Spain, (Jul. 19, 2013).

* cited by examiner

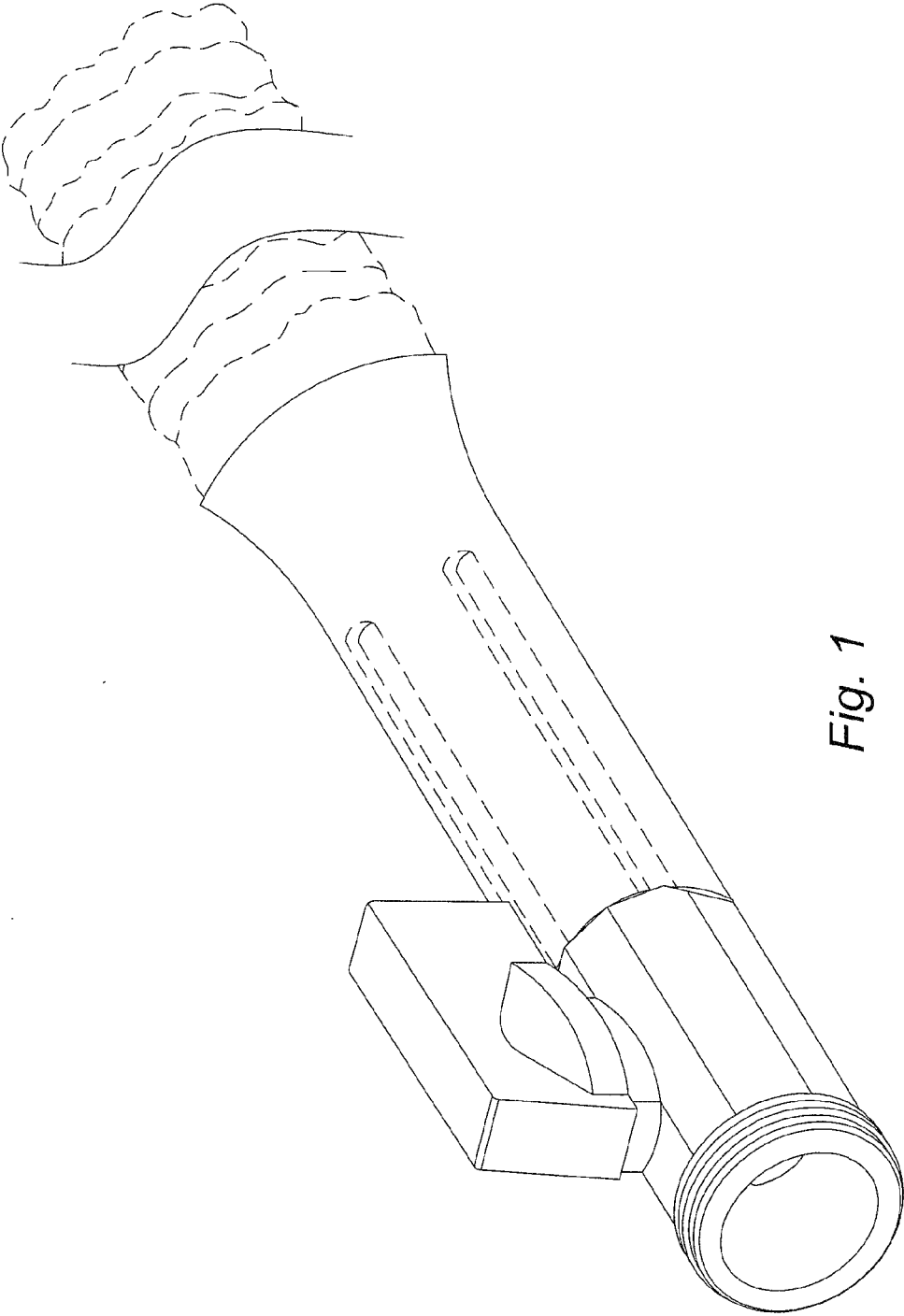


Fig. 1

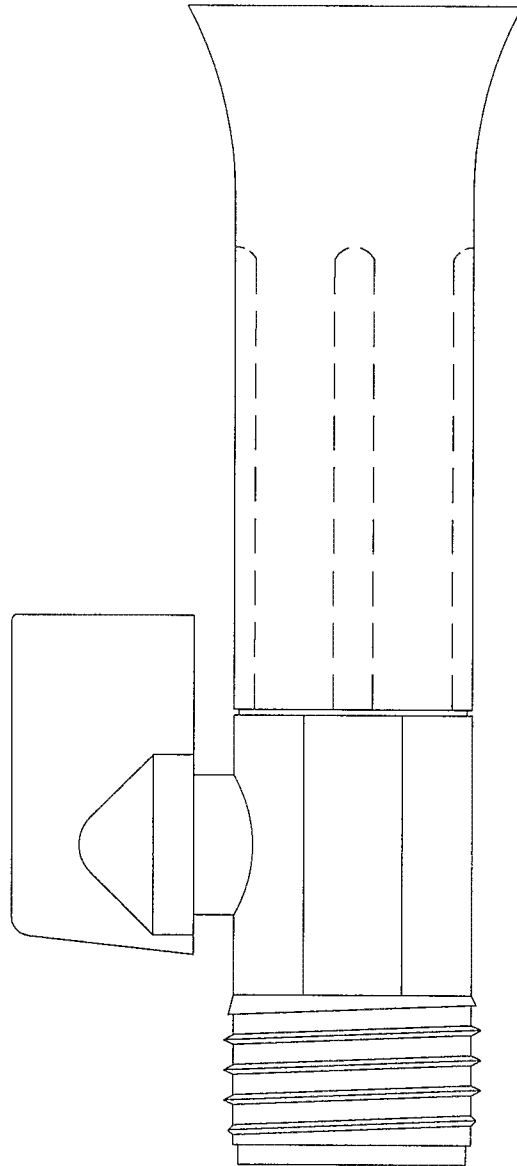


Fig. 2

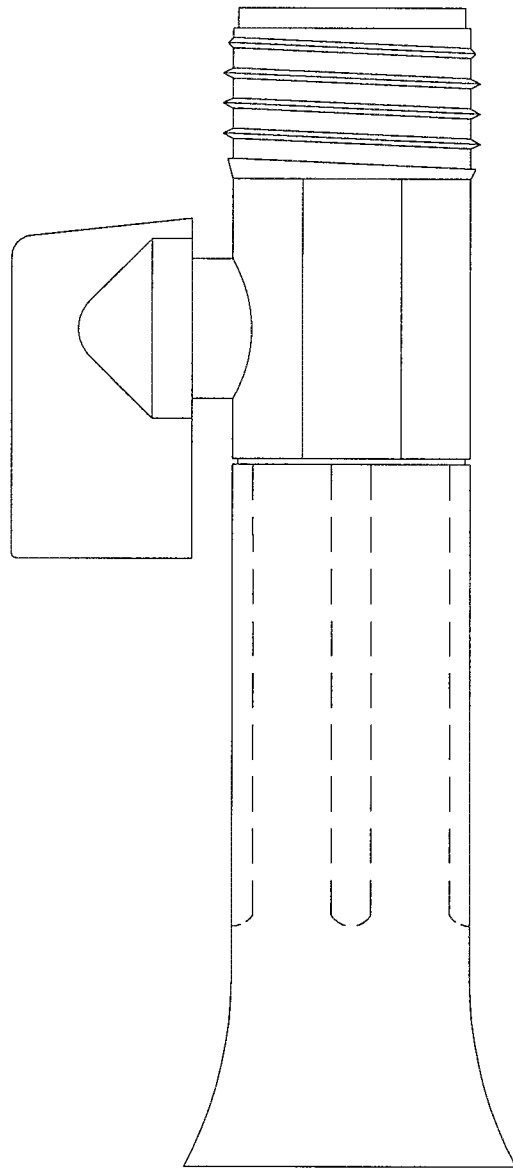
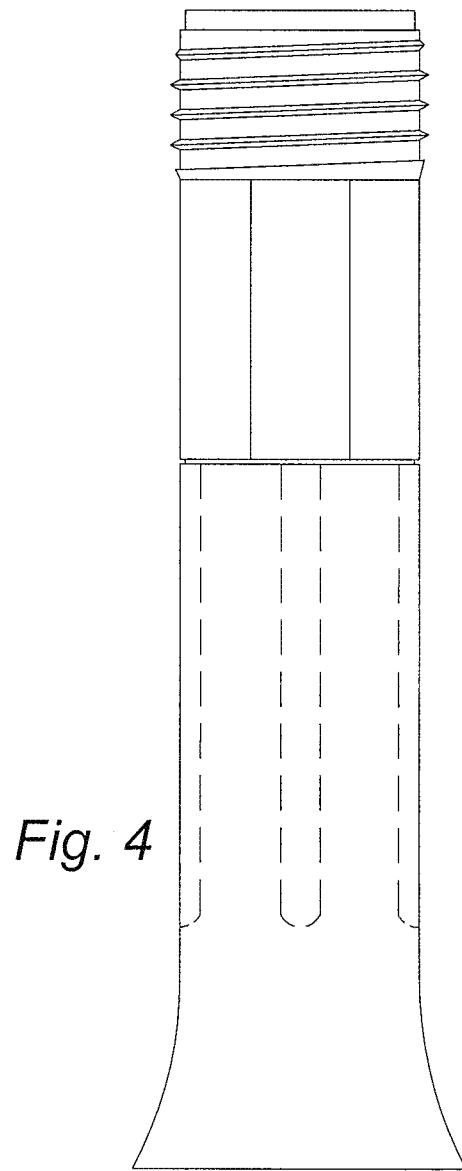


Fig. 3



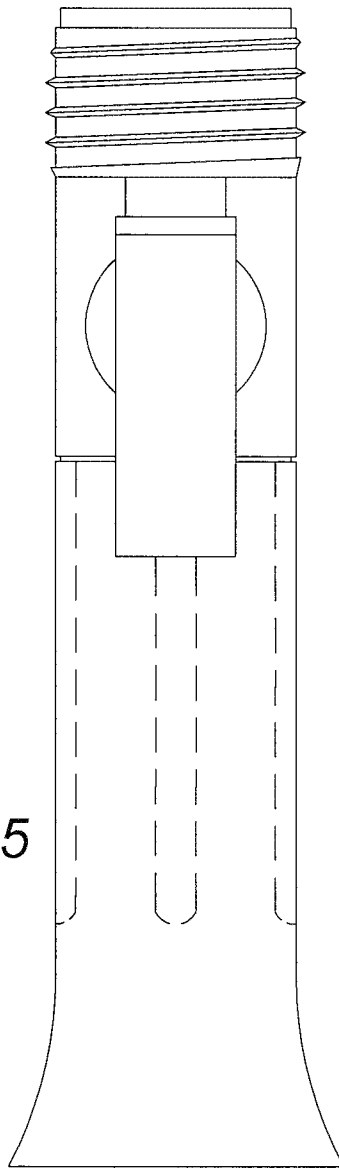


Fig. 5

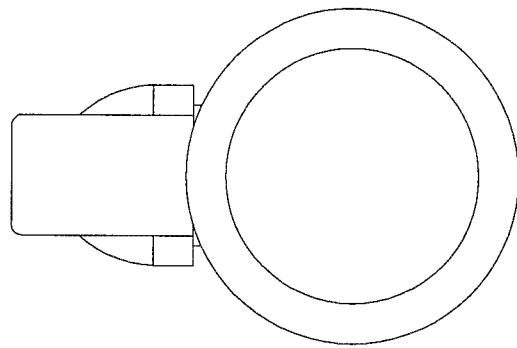


Fig. 7

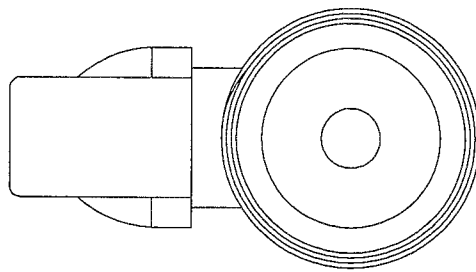


Fig. 6