



(43) International Publication Date
3 September 2009 (03.09.2009)

- (51) International Patent Classification:
E01B 26/00 (2006.01) *B61F 7/00* (2006.01)
- (21) International Application Number:
PCT/IB2009/005088
- (22) International Filing Date:
26 March 2009 (26.03.2009)
- (25) Filing Language: English
- (26) Publication Language: English
- (30) Priority Data:
P200800532 26 February 2008 (26.02.2008) ES
- (71) Applicant (for all designated States except US): **ADMINISTRADOR DE INFRAESTRUCTURAS FERROVIARIAS (ADIF)** [ES/ES]; Titán, 4 y 6, E-28045 Madrid (ES).
- (72) Inventors; and
(71) Applicants (for all designated States except US): **SAN DAMASO, Ruth** [ES/ES]; Titán, 4 y 6, E-28045 Madrid (ES). **LOPEZ LARA, Sergio** [ES/ES]; Titán, 4 y 6, E-28045 Madrid (ES).
- (74) Agent: **UNGRÍA LÓPEZ, Javier**; Avda. Ramón y Cajal, 78, E-28043 MADRID (ES).
- (81) Designated States (unless otherwise indicated, for every kind of national protection available): AE, AG, AL, AM, AO, AT, AU, AZ, BA, BB, BG, BH, BR, BW, BY, BZ, CA, CH, CN, CO, CR, CU, CZ, DE, DK, DM, DO, DZ,

EC, EE, EG, ES, FI, GB, GD, GE, GH, GM, GT, HN, HR, HU, ID, IL, IN, IS, JP, KE, KG, KM, KN, KP, KR, KZ, LA, LC, LK, LR, LS, LT, LU, LY, MA, MD, ME, MG, MK, MN, MW, MX, MY, MZ, NA, NG, NI, NO, NZ, OM, PG, PH, PL, PT, RO, RS, RU, SC, SD, SE, SG, SK, SL, SM, ST, SV, SY, TJ, TM, TN, TR, TT, TZ, UA, UG, US, UZ, VC, VN, ZA, ZM, ZW.

(84) Designated States (unless otherwise indicated, for every kind of regional protection available): ARIPO (BW, GH, GM, KE, LS, MW, MZ, NA, SD, SL, SZ, TZ, UG, ZM, ZW), Eurasian (AM, AZ, BY, KG, KZ, MD, RU, TJ, TM), European (AT, BE, BG, CH, CY, CZ, DE, DK, EE, ES, FI, FR, GB, GR, HR, HU, IE, IS, IT, LT, LU, LV, MC, MK, MT, NL, NO, PL, PT, RO, SE, SI, SK, TR), OAPI (BF, BJ, CF, CG, CI, CM, GA, GN, GQ, GW, ML, MR, NE, SN, TD, TG).

Published:

- with international search report (Art. 21(3))
 - before the expiration of the time limit for amending the claims and to be republished in the event of receipt of amendments (Rule 48.2(h))
 - the filing date of the international application is within two months from the date of expiration of the priority period (Rule 26bis.3)
- (88) Date of publication of the international search report:
18 August 2016

(54) Title: DUAL GAUGE-CHANGING DEVICE ON SINGLE PLATFORM

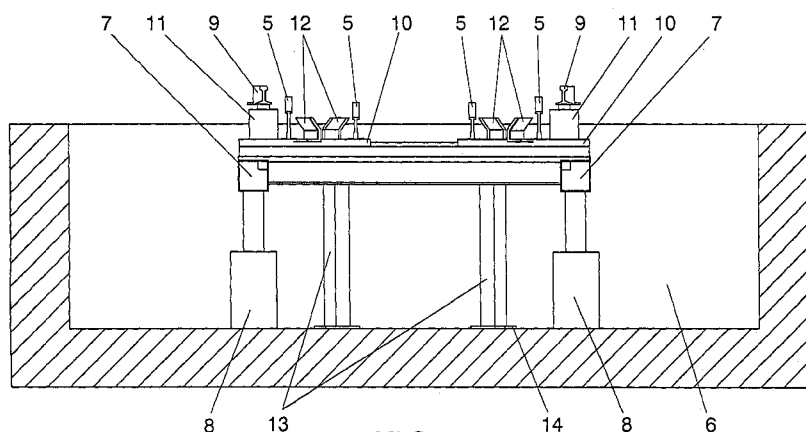


FIG. 4
A-A

(57) Abstract: Dual gauge-changing device on single platform. It permits the change of gauge for two different technologies as are TALGO and CAF, in a single platform provided in a pit (6), forming part of which are a set of sliding guides (9), displacement check rails (12) and bolt activation guides (5), usable with both types of train when being located in the corresponding positions. The displacement check rails (12) are fixed to a bracket column (13) emerging from the bottom of the pit (6). The sliding guides (9) and the bolt activation guides (5) are provided on some moving bedframes (10) displaceable in the transverse direction and in turn fixed on two support pieces (7) arranged on hydraulic cylinders (8) anchored to the bottom of the pit (6). The sliding guides (9) are mounted with the mediation of other hydraulic cylinders (11) which rest on the moving bedframes (10).



WO 2009/106988 A3

INTERNATIONAL SEARCH REPORT

International application No.
PCT/IB2009/005088

A. CLASSIFICATION OF SUBJECT MATTER

E01B26/00 (2006.01)
B61F7/00 (2006.01)
According to International Patent Classification (IPC) or to both national classification and IPC

B. FIELDS SEARCHED

Minimum documentation searched (classification system followed by classification symbols)

E01B, B61F

Documentation searched other than minimum documentation to the extent that such documents are included in the fields searched

Electronic data base consulted during the international search (name of data base and, where practicable, search terms used)

EPODOC, INVENES

C. DOCUMENTS CONSIDERED TO BE RELEVANT

Category*	Citation of document, with indication, where appropriate, of the relevant passages	Relevant to claim No.
A	ES 2325750 A1 (ADMINISTRADOR DE INFRAESTRUCTU) 15/09/2009, page 1, line 45 - page 5, line 40; figures.	1-8
A	ES 2281452T T3 (BUTZBACHER WEICHENBAU GMBH ET AL.) 01/10/2007, column 1, line 1 – column 4, line 53; figures.	1-8
A	ES 2072809 A2 (INVASTESA TALGO PATENTES) 16/07/1995, column 1, line 44 - column 12, line 57; figures.	1-8
A	EP 0596408 A1 (KAWASAKI HEAVY IND LTD) 11/05/1994, figures & Abstract from DataBase WPI. Retrieved from EPOQUE; AN 1994-152824.	1-8

Further documents are listed in the continuation of Box C. See patent family annex.

<p>* Special categories of cited documents:</p> <p>"A" document defining the general state of the art which is not considered to be of particular relevance.</p> <p>"E" earlier document but published on or after the international filing date</p> <p>"L" document which may throw doubts on priority claim(s) or which is cited to establish the publication date of another citation or other special reason (as specified)</p> <p>"O" document referring to an oral disclosure use, exhibition, or other means.</p> <p>"P" document published prior to the international filing date but later than the priority date claimed</p>	<p>"T" later document published after the international filing date or priority date and not in conflict with the application but cited to understand the principle or theory underlying the invention</p> <p>"X" document of particular relevance; the claimed invention cannot be considered novel or cannot be considered to involve an inventive step when the document is taken alone</p> <p>"Y" document of particular relevance; the claimed invention cannot be considered to involve an inventive step when the document is combined with one or more other documents, such combination being obvious to a person skilled in the art</p> <p>"&" document member of the same patent family</p>
--	--

Date of the actual completion of the international search
22/06/2016

Date of mailing of the international search report
(23/06/2016)

Name and mailing address of the ISA/

Authorized officer
M. Castañón Chicharro

OFICINA ESPAÑOLA DE PATENTES Y MARCAS
Paseo de la Castellana, 75 - 28071 Madrid (España)
Facsimile No.: 91 349 53 04

Telephone No. 91 3493261

INTERNATIONAL SEARCH REPORT

International application No.

Information on patent family members

PCT/IB2009/005088

Patent document cited in the search report	Publication date	Patent family member(s)	Publication date
ES2325750 A1	15.09.2009	NONE	
----- ES2281452T T3	----- 01.10.2007	----- ZA200304396 A SK6692003 A3 PL362178 A1 JP2004523677 A JP3753176B B2 HU0400650 A2 EP1339918 A1 EP1339918 B1 WO0246530 A1 EE200300200 A EE04786 B1 DE10060957 A1 CZ20031552 A3 BR0115980 A AU2002234539B B2 AU3453902 A AT354697T T	----- 06.09.2004 03.08.2004 18.10.2004 05.08.2004 08.03.2006 28.06.2004 03.09.2003 21.02.2007 13.06.2002 15.08.2003 15.02.2007 13.06.2002 15.10.2003 06.01.2004 20.10.2005 18.06.2002 15.03.2007
----- ES2072809 A2	----- 16.07.1995	----- JPH06240608 A JP2928052B B2 GR3031619T T3 EP0611847 A1 EP0611847 B1 DK0611847T T3 DE69419790T T2 AT182937T T	----- 30.08.1994 28.07.1999 31.01.2000 24.08.1994 04.08.1999 06.03.2000 16.12.1999 15.08.1999
----- EP0596408 A1	----- 11.05.1994	----- US5471933 A KR960008199B B1 JPH06144224 A JP2876096B B2 ES2133347T T3 DE69325768T T2 CA2109369 A1 CA2109369 C	----- 05.12.1995 20.06.1996 24.05.1994 31.03.1999 16.09.1999 23.03.2000 07.05.1994 03.09.1996
-----	-----	-----	-----