

(12) INTERNATIONAL APPLICATION PUBLISHED UNDER THE PATENT COOPERATION TREATY (PCT)

(19) World Intellectual Property  
Organization  
International Bureau



(10) International Publication Number  
**WO 2024/259411 A3**

(43) International Publication Date  
19 December 2024 (19.12.2024)

(51) International Patent Classification:

*A01K 1/02* (2006.01)      *A01K 1/06* (2006.01)  
*A01K 1/03* (2006.01)      *A01K 15/04* (2006.01)  
*A01K 31/07* (2006.01)     *A01K 31/08* (2006.01)  
*B60N 2/28* (2006.01)

(21) International Application Number:

PCT/US2024/034299

(22) International Filing Date:

17 June 2024 (17.06.2024)

(25) Filing Language:

English

(26) Publication Language:

English

(30) Priority Data:

63/508,714	16 June 2023 (16.06.2023)	US
63/583,440	18 September 2023 (18.09.2023)	US
63/648,783	17 May 2024 (17.05.2024)	US
63/659,951	14 June 2024 (14.06.2024)	US

(71) Applicant: **JANI INTERNATIONAL PTE. LTD.**

[SG/SG]; Block 5008 Ang Mo Kio Avenue 5, #06-04/06  
TECHPLACE II, Singapore 569874 (SG).

(72) Inventor; and

(71) Applicant (for BZ only): **HARTENSTINE, Curtis M.**

[US/US]; 20 Osprey Ln, Birdsboro, Pennsylvania 19508  
(US).

(72) Inventors: **FERGUSON, Joshua**; 141 Charles Street,

Southampton, Pennsylvania 18966 (US). **SACK, Daniel**

**A.**; 880 Zion Road, Mohnton, Pennsylvania 19540 (US).

**CLEMMER, Lance J.**; 1326 Buck Hollow Rd, Mohnton,

Pennsylvania 19540 (US).

(74) Agent: **O'DONNELL, Ryan W.**; 30 S. 17th Street, 18th

Floor, Philadelphia, Pennsylvania 19103 (US).

(81) Designated States (unless otherwise indicated, for every

kind of national protection available): AE, AG, AL, AM, AO, AT, AU, AZ, BA, BB, BG, BH, BN, BR, BW, BY, BZ, CA, CH, CL, CN, CO, CR, CU, CV, CZ, DE, DJ, DK, DM, DO, DZ, EC, EE, EG, ES, FI, GB, GD, GE, GH, GM, GT, HN, HR, HU, ID, IL, IN, IQ, IR, IS, IT, JM, JO, JP, KE, KG, KH, KN, KP, KR, KW, KZ, LA, LC, LK, LR, LS, LU, LY, MA, MD, MG, MK, MN, MU, MW, MX, MY, MZ, NA, NG, NI, NO, NZ, OM, PA, PE, PG, PH, PL, PT, QA, RO, RS, RU, RW, SA, SC, SD, SE, SG, SK, SL, ST, SV, SY, TH, TJ, TM, TN, TR, TT, TZ, UA, UG, US, UZ, VC, VN, WS, ZA, ZM, ZW.

(84) Designated States (unless otherwise indicated, for every

kind of regional protection available): ARIPO (BW, CV, GH, GM, KE, LR, LS, MW, MZ, NA, RW, SC, SD, SL, ST, SZ, TZ, UG, ZM, ZW), Eurasian (AM, AZ, BY, KG, KZ, RU, TJ, TM), European (AL, AT, BE, BG, CH, CY, CZ, DE, DK, EE, ES, FI, FR, GB, GR, HR, HU, IE, IS, IT, LT, LU, LV, MC, ME, MK, MT, NL, NO, PL, PT, RO, RS, SE, SI, SK, SM, TR), OAPI (BF, BJ, CF, CG, CI, CM, GA, GN, GQ, GW, KM, ML, MR, NE, SN, TD, TG).

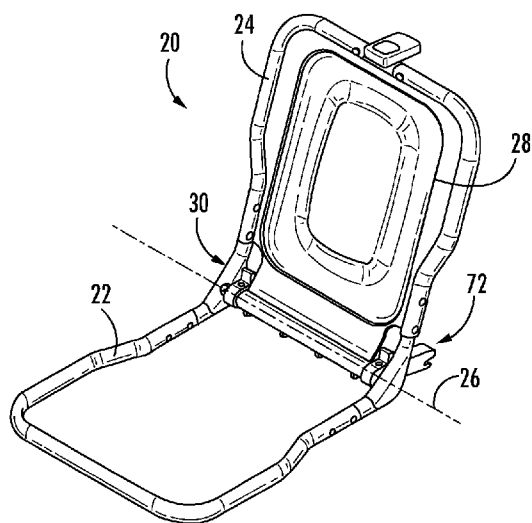
Published:

— with international search report (Art. 21(3))

(88) Date of publication of the international search report:

08 May 2025 (08.05.2025)

(54) Title: PIVOTING ENCLOSURE COLLAPSIBLE CONTAINMENT DEVICE



(57) Abstract: A pet containment device comprising a tube member back that pivots relative to a base member bottom to define an interior space capable of receiving a pet/animal. The base member is connectable to anchor points in a vehicle.



WO 2024/259411 A3

INTERNATIONAL SEARCH REPORT

International application No.

PCT/US 24/34299

A. CLASSIFICATION OF SUBJECT MATTER

IPC - INV. A01K 1/02, A01K 1/03, A01K 31/07, B60N 2/28 (2024.01)  
 ADD. A01K 1/06, A01K 15/04, A01K 31/08 (2024.01)

CPC - INV. A01K 1/0272, A01K 1/0236, A01K 1/02, A01K 1/03, A01K 31/07, B60N 2/28

ADD. A01K 1/06, A01K 1/0613, A01K 15/04, A01K 31/08, A01K 1/0245, A01K 1/0254

According to International Patent Classification (IPC) or to both national classification and IPC

B. FIELDS SEARCHED

Minimum documentation searched (classification system followed by classification symbols)  
 See Search History document

Documentation searched other than minimum documentation to the extent that such documents are included in the fields searched  
 See Search History document

Electronic data base consulted during the international search (name of data base and, where practicable, search terms used)  
 See Search History document

C. DOCUMENTS CONSIDERED TO BE RELEVANT

Category*	Citation of document, with indication, where appropriate, of the relevant passages	Relevant to claim No.
X --- Y	US 2014/0216355 A1 (Bryson) 07 August 2014 (07.08.2014), entire document, especially Fig. 1-8, 10a-10b; para[0025]; para[0022]; para[0039]; para[0060]; para[0063];	1-2, 5-11, 22, 27, 37, 40-46 ----- 28
X --- A	US 2021/0316804 A1 (Payne) 14 October 2021 (14.10.2021), entire document, especially Fig. 3-4, 6-9; para[0046]; para[0047]; para[0052]; para[0064]; para[0068]; para[0065];	1-2, 12 ----- 13-18
X --- Y	DE 202 12 332 U1 (NUESSEL MICHAEL) 19 December 2002 (19.12.2002), entire document, especially Fig. 1; para[0002];	1, 20-22 ----- 23, 38-39
Y	US 2008/0303321 A1 (Powell) 11 December 2008 (11.12.2008), entire document, especially Fig. 1-11; para[0031]; para[0035]; para[0039]; para[0034];	1-4
Y	GB 2,597,331 A (Connelly) 26 January 2022 (26.01.2022), entire document, especially Fig. 1-10; page 7, ln 10-17; page 8, ln 6-13;	1-4
Y	US 5,971,479 A (Jacquemot et al.) 26 October 1999 (26.10.1999), entire document, especially Fig. 1-2; col 2, ln 63 to col 3, ln 2; col 3, ln 61-65; col 4, ln 27-35;	23
Y	US 2016/0050881 A1 (Hovsepian) 25 February 2016 (25.02.2016), entire document, especially Fig. 8, 11; para[0058];	28

Further documents are listed in the continuation of Box C.

See patent family annex.

\* Special categories of cited documents:

- "A" document defining the general state of the art which is not considered to be of particular relevance
- "D" document cited by the applicant in the international application
- "E" earlier application or patent but published on or after the international filing date
- "L" document which may throw doubts on priority claim(s) or which is cited to establish the publication date of another citation or other special reason (as specified)
- "O" document referring to an oral disclosure, use, exhibition or other means
- "P" document published prior to the international filing date but later than the priority date claimed

- "T" later document published after the international filing date or priority date and not in conflict with the application but cited to understand the principle or theory underlying the invention
- "X" document of particular relevance; the claimed invention cannot be considered novel or cannot be considered to involve an inventive step when the document is taken alone
- "Y" document of particular relevance; the claimed invention cannot be considered to involve an inventive step when the document is combined with one or more other such documents, such combination being obvious to a person skilled in the art
- "&" document member of the same patent family

Date of the actual completion of the international search

28 October 2024

Date of mailing of the international search report

DEC 30 2024

Name and mailing address of the ISA/US

Mail Stop PCT, Attn: ISA/US, Commissioner for Patents  
 P.O. Box 1450, Alexandria, Virginia 22313-1450  
 Facsimile No. 571-273-8300

Authorized officer

Kari Rodriguez

Telephone No. PCT Helpdesk: 571-272-4300

## INTERNATIONAL SEARCH REPORT

International application No.

PCT/US 24/34299

C (Continuation). DOCUMENTS CONSIDERED TO BE RELEVANT		
Category*	Citation of document, with indication, where appropriate, of the relevant passages	Relevant to claim No.
Y	✓ CN 201573566 U (ZHENJIANG FENG BABY PRODUCTS CO LTD) 08 September 2010 (08.09.2010), entire document, especially Fig. 1-5; para[0021]; para[0022]; para[0023];	38-39
A	✓ DE 10 2017 127 384 A1 (KHAZIM MUSTAFA) 23 May 2019 (23.05.2019), entire document	1-18, 20-23, 27-28, 37-46
A	US 2014/0102377 A1 (Hoffman) 17 April 2014 (17.04.2014), entire document	1-18, 20-23, 27-28, 37-46
A	✓ GB 2,446,361 A (McLeavy) 13 August 2008 (13.08.2008), entire document	1-18, 20-23, 27-28, 37-46
A	✓ KR 10-2020-0053235 A1 (LEE SUN YONG) 18 May 2020 (18.05.2020), entire document	1-18, 20-23, 27-28, 37-46
A	US 2022/0295739 A1 (Sure Loc Pet Carriers LLC) 22 September 2022 (22.09.2022), entire document	1-18, 20-23, 27-28, 37-46

## INTERNATIONAL SEARCH REPORT

International application No.

PCT/US 24/34299

**Box No. II Observations where certain claims were found unsearchable (Continuation of item 2 of first sheet)**

This international search report has not been established in respect of certain claims under Article 17(2)(a) for the following reasons:

1.  Claims Nos.:  
because they relate to subject matter not required to be searched by this Authority, namely:
  
2.  Claims Nos.:  
because they relate to parts of the international application that do not comply with the prescribed requirements to such an extent that no meaningful international search can be carried out, specifically:
  
3.  Claims Nos.:  
because they are dependent claims and are not drafted in accordance with the second and third sentences of Rule 6.4(a).

**Box No. III Observations where unity of invention is lacking (Continuation of item 3 of first sheet)**

This International Searching Authority found multiple inventions in this international application, as follows:

This application contains the following inventions or groups of inventions which are not so linked as to form a single general inventive concept under PCT Rule 13.1. In order for all inventions to be searched, the appropriate additional search fees must be paid.

Group I: Claims 1-4, 20-23, 27-28, 37-39 directed to at least one latch member for coupling with an anchor point in a vehicle. (Fig. 14-15, 29-32)

Group II: Claims 1-2, 5-18, 20-21, 27-28, 40-46 directed to a collapsible barrier attached to the base member. (Fig. 4-7D, 13A-13B, 16-24)

Group III: Claims 1-2, 19-21, 24-30 directed to an upper attachment, a sleeve, at least one strap, and a clamping member. (Fig. 8A-12C, 33-37, 61-62)

Group IV: Claims 1-2, 20-21, 27-28, 31-36 directed to at least one wheel, a telescoping handle and an adjustable foot. (Fig. 63-74)

\*\*Claims 1-2, 20-21, 27-28 are generic to groups I-IV.\*\*

\*\*Note: see note below

— Continued in Supplemental Box —

1.  As all required additional search fees were timely paid by the applicant, this international search report covers all searchable claims.
2.  As all searchable claims could be searched without effort justifying additional fees, this Authority did not invite payment of additional fees.
3.  As only some of the required additional search fees were timely paid by the applicant, this international search report covers only those claims for which fees were paid, specifically claims Nos.:  
1-18, 20-23, 27-28, 37-46
4.  No required additional search fees were timely paid by the applicant. Consequently, this international search report is restricted to the invention first mentioned in the claims; it is covered by claims Nos.:

**Remark on Protest**

- The additional search fees were accompanied by the applicant's protest and, where applicable, the payment of a protest fee.
- The additional search fees were accompanied by the applicant's protest but the applicable protest fee was not paid within the time limit specified in the invitation.
- No protest accompanied the payment of additional search fees.

--- Continuation of Box No. III Observations where unity of invention is lacking ---

The inventions listed as Groups I-IV do not relate to a single general inventive concept under PCT Rule 13.1 because, under PCT Rule 13.2, they lack the same or corresponding special technical features for the following reasons:

#### SPECIAL TECHNICAL FEATURES

The invention of Group I includes the special technical feature of the pivot subassembly including at least one latch member for coupling with an anchor point in a vehicle, not required by the claims of Groups II-IV.

The invention of Group II includes the special technical feature of a collapsible barrier attached to the base member, the collapsible barrier extending between the base member and the back member when in a deployed position and at least partially defining the interior space, the collapsible barrier including a pivot arm, and the pivot subassembly including a lock mechanism, not required by the claims of Groups I and III-IV.

The invention of Group III includes the special technical feature of the back member including an upper attachment for securing to a vehicle anchor point, a sleeve for receiving a support, a pair of backpack straps, and a clamping member for clamping a seatbelt, not required by the claims of Groups I-II and IV.

The invention of Group IV includes the special technical feature of at least one wheel supporting the base member, the back member including a telescoping handle, and the base member including at least one adjustable foot, not required by the claims of Groups I-III.

#### COMMON TECHNICAL FEATURES

Groups I-IV share the common technical features of a pet containment device comprising: a base member; and a back member; wherein the base member and the back member are coupled for pivoting movement relative to each other between a stowed position and a use position; wherein the base member is connectable to an anchor point in a vehicle; and wherein the base member and the back member define at least portions of an interior space for receiving a pet/animal when in the use position.

However, this shared technical feature does not represent a contribution over prior art as being anticipated by US 2014/0216355 A1 (Bryson), which discloses a pet containment device (10, Fig. 1-8, 10a-10b; para[0025], 'FIG. 2 shows one embodiment of an animal carrier 10, made using the frame 7 of FIG. 1') comprising: a base member (16, Fig. 1, 10a; para[0022], 'a floor panel 16'); and a back member (14, Fig. 1, 10a; para[0022], 'The frame 7 has a back panel 14 attached to a floor panel 16'); wherein the base member and the back member are coupled for pivoting movement relative to each other between a stowed position and a use position (Fig. 1-8, 10a-10b - see how the base member 16 and back member 14 are coupled via hinge points 22 for pivoting movement relative to each other between a stowed position, shown in Fig. 6e, and a use position, shown in Fig. 6a/10a; para[0022], 'The back panel 14 can be attached to the floor panel 16 at one or more hinge points 22'; para[0039], 'The floor panel 16 and the back panel 14 are then folded toward each other about hinge 22, resulting in a disassembled or collapsed animal carrier (FIGS. 6 d and 6e)); wherein the base member is connectable to an anchor point in a vehicle (92, 94, 96, Fig. 10a-10b - see how the base member 16 is connectable to an anchor point 96 in a vehicle via the back member 14, belt 92 and fastener 94; para[0060], 'For example, FIG. 10 a shows an animal carrier attached to an automotive seat 91 using a quick connect or installation belt 92 passed through a belt path 18 built into and through the back panel 14, wherein the installation belt 92 has a fastener 94 (at both ends) which is reversibly attachable to the LATCH system anchor 96'); FIG. 10 b shows one embodiment of the fastener 94 attached or secured to a LATCH system anchor 96'); and wherein the base member and the back member define at least portions of an interior space for receiving a pet/animal when in the use position (Fig. 1-8, 10a-10b - see how the base member 16 and back member 14 define the back and bottom portions of an interior space for receiving a pet/animal when in the use position).

As the common technical features were known in the art at the time of the invention, these cannot be considered special technical feature that would otherwise unify the groups.

Therefore, Groups I-IV lack unity under PCT Rule 13 because they do not share a same or corresponding special technical feature.

**\*\*Note:** Claims 8, 43: Regarding claims 8 and 43, the term "the pivot subassembly" is confusing and lacks proper antecedent basis, and accordingly, for purposes of this opinion, has been interpreted to be the term "a pivot subassembly."

Claim 22: Regarding claim 22, the term "to claim, 1, wherein" is confusing and appears to contain a typographical error, and accordingly, for purposes of this opinion, has been interpreted to be the term "to claim 1, wherein."

Claim 23: Regarding claim 23, the term "includes handle" is confusing and appears to contain a typographical error, and accordingly, for purposes of this opinion, has been interpreted to be the term "includes a handle."

Claim 31: Regarding claim 31, the term "further comprising at least for supporting the base member" is confusing and appears to contain a typographical error, and accordingly, for purposes of this opinion, has been interpreted to be the term "further comprising at least one wheel for supporting the base member."

Claim 37: Claim 37 improperly terminates with a comma and should instead terminate with a period. For purposes of this opinion, "of a vehicle," has been interpreted as "of a vehicle." for proper punctuation.

Claim 39: Regarding claim 39, the term "the back ember" is confusing and appears to contain a typographical error, and accordingly, for purposes of this opinion, has been interpreted to be the term "the back member."