



US00D690661S

(12) **United States Design Patent**
Wisniewski et al.

(10) **Patent No.:** **US D690,661 S**

(45) **Date of Patent:** **** Oct. 1, 2013**

(54) **WALL-MOUNTED TOUCH PANEL**

(75) Inventors: **Stanley Wisniewski**, Pompton Plains, NJ (US); **George Feldstein**, Cresskill, NJ (US); **Fred Bargetzi**, Upper Saddle River, NJ (US)

(73) Assignee: **Creston Electronics Inc.**, Rockleigh, NJ (US)

(**) Term: **14 Years**

(21) Appl. No.: **29/432,273**

(22) Filed: **Sep. 14, 2012**

(51) **LOC (9) Cl.** **13-03**

(52) **U.S. Cl.**
USPC **D13/162**

(58) **Field of Classification Search**

USPC D13/162, 164; D10/49, 50; D14/336, D14/371, 374, 389; 315/291, 294, 297, 307, 315/315, 318; 345/173; 362/85; 361/679.21; 715/700, 810; 700/17, 83

See application file for complete search history.

(56) **References Cited**

U.S. PATENT DOCUMENTS

D319,429	S	*	8/1991	D'Aleo et al.	D13/162
5,949,200	A	*	9/1999	Ference et al.	315/318
D424,068	S	*	5/2000	Takemasa	D14/374
6,677,934	B1	*	1/2004	Blanchard	345/175
D514,558	S	*	2/2006	Nagel et al.	D14/341
D562,259	S	*	2/2008	Kosche	D13/162
D568,257	S	*	5/2008	Tatsuyama et al.	D13/162
D669,076	S	*	10/2012	Haller	D14/374
2004/0095332	A1	*	5/2004	Blanchard	345/173

2004/0164966	A1	*	8/2004	Lee	345/173
2006/0055681	A1	*	3/2006	West et al.	345/173
2009/0174996	A1	*	7/2009	Park	361/679.21

OTHER PUBLICATIONS

Control4, 7" In Wall Touch Screen with Camera, Specification Sheet, May 5, 2012, Rockleigh, NJ.

* cited by examiner

Primary Examiner — Selina Sikder

(74) *Attorney, Agent, or Firm* — Creston Electronics Inc.

(57) **CLAIM**

The ornamental design for a wall-mounted touch panel, as shown and described.

DESCRIPTION

FIG. 1 shows a front right isometric view of the wall-mounted touch panel.

FIG. 2 shows a back left isometric view of the wall-mounted touch panel.

FIG. 3 shows a front elevation view of the wall-mounted touch panel.

FIG. 4 shows a top plan view of the wall-mounted touch panel.

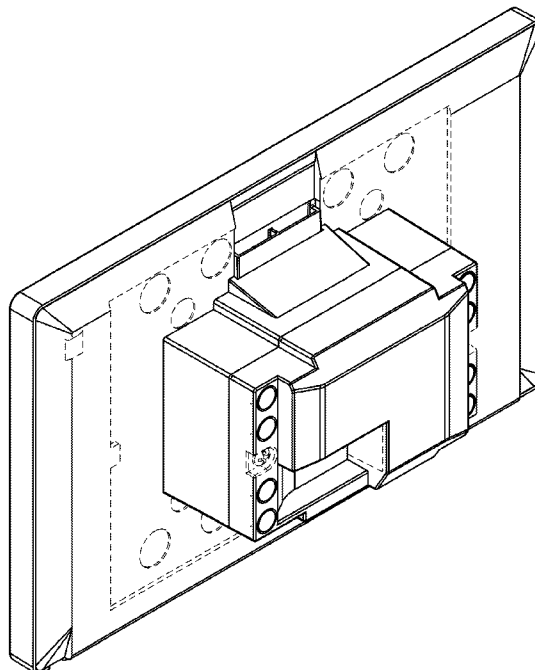
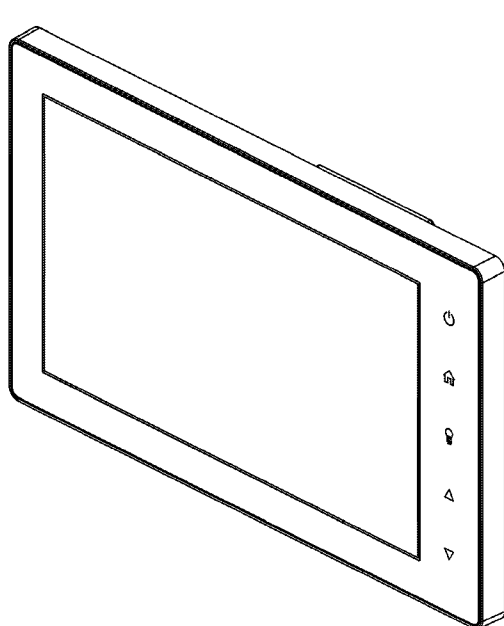
FIG. 5 shows a bottom plan view of the wall-mounted touch panel.

FIG. 6 shows a right elevation view of the wall-mounted touch panel; and,

FIG. 7 shows a back elevation view of the wall-mounted touch panel.

The broken lines shown in the drawings are directed to unclaimed portions of the article and are for informational purposes only and form no part of the claimed design.

1 Claim, 7 Drawing Sheets



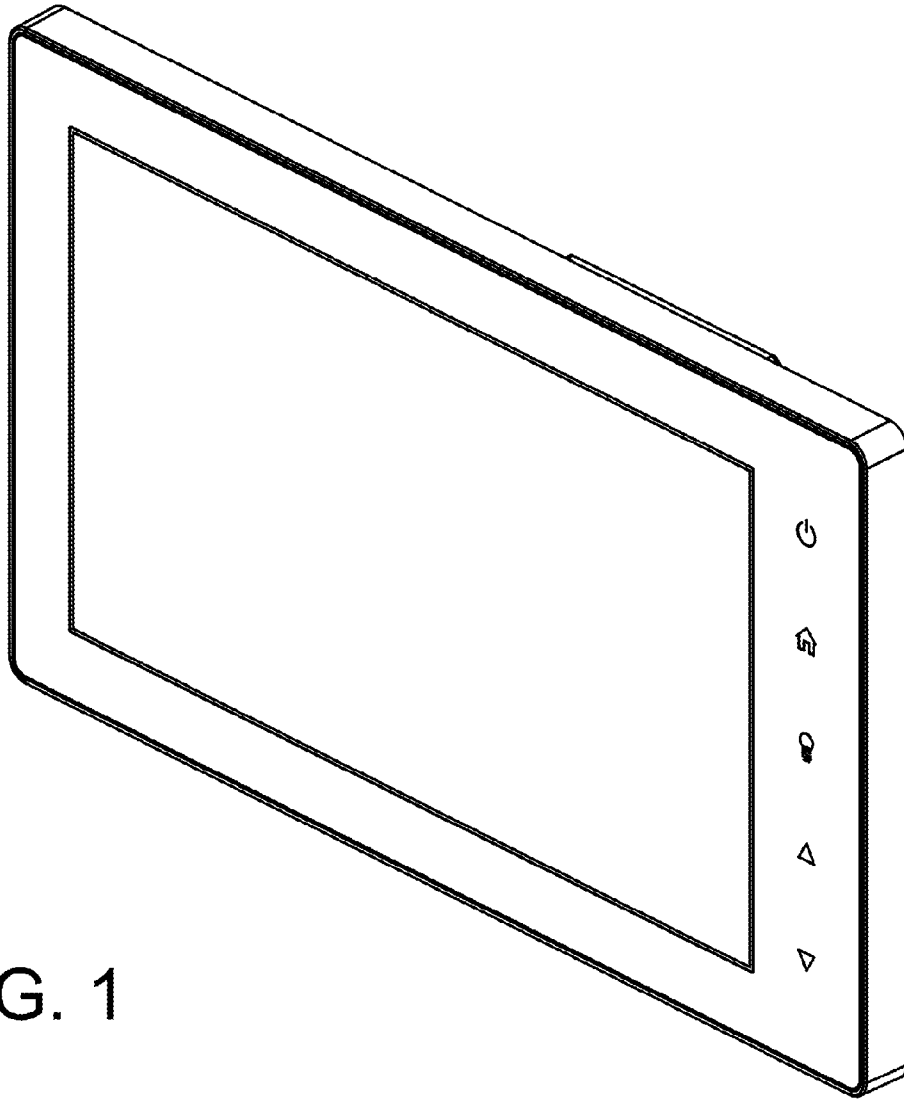


FIG. 1

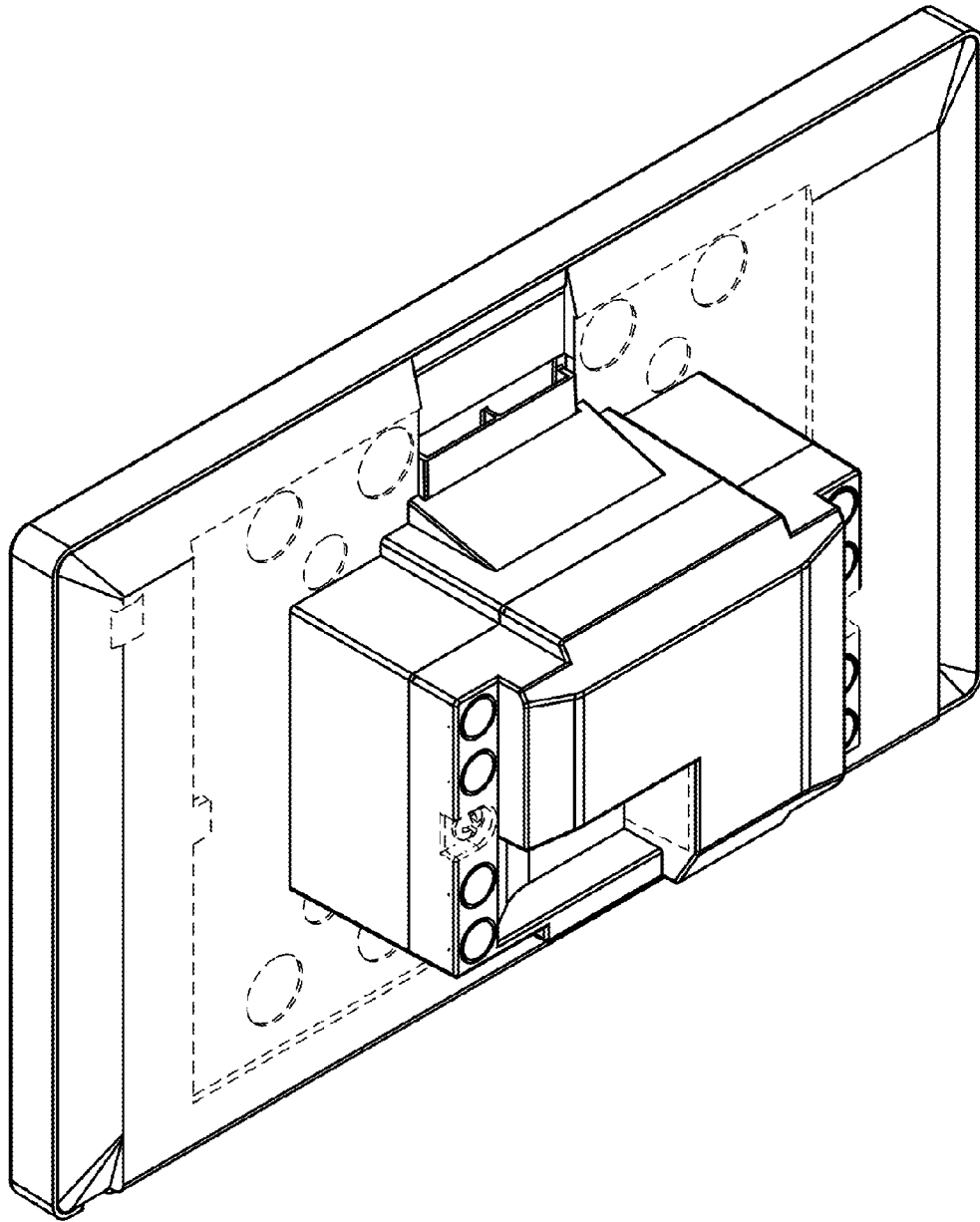


FIG. 2

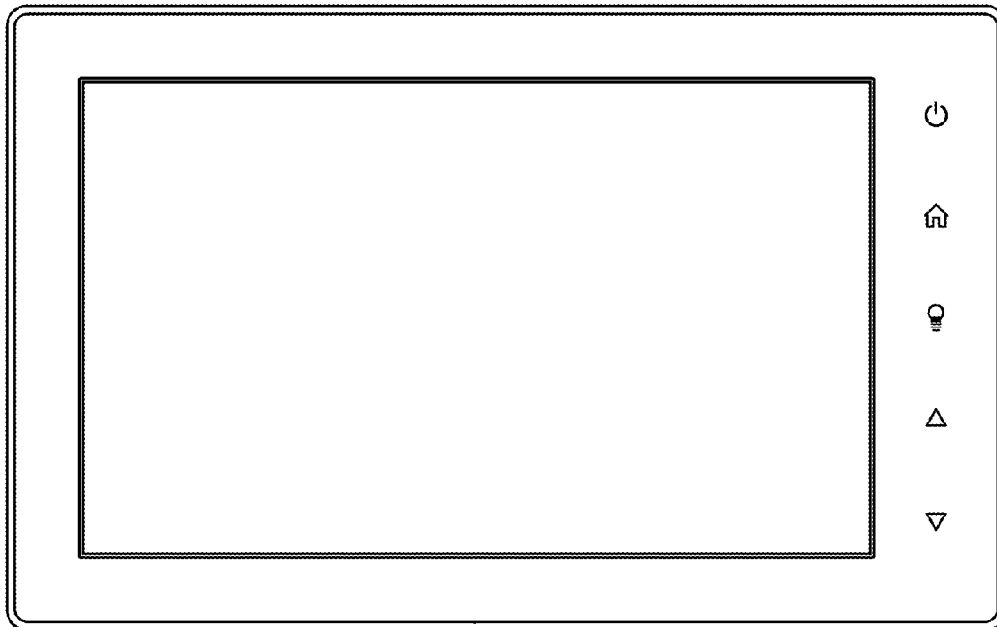


FIG. 3

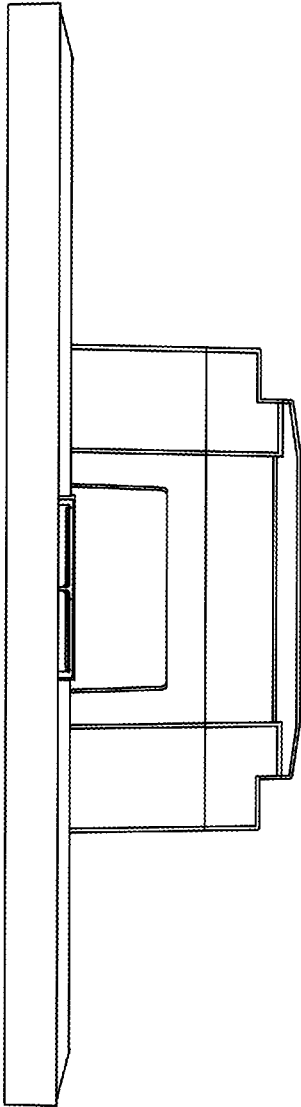


FIG. 4

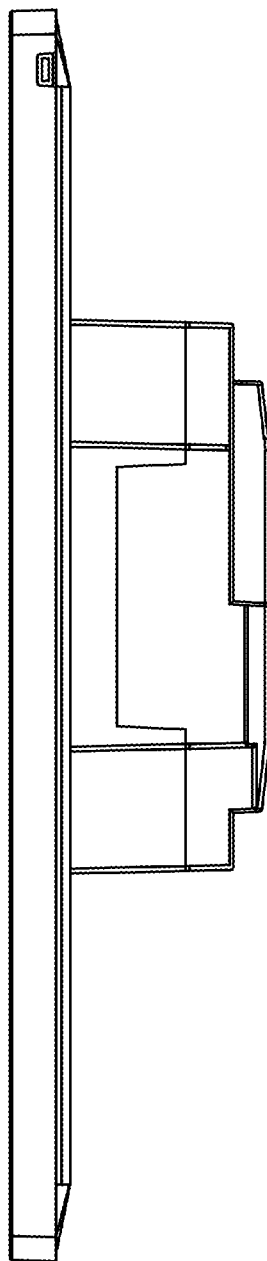


FIG. 5

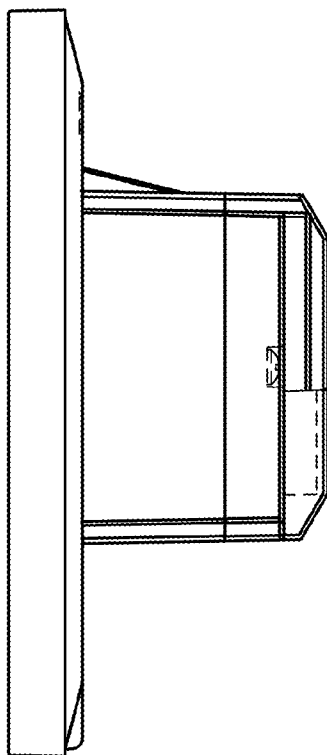


FIG. 6

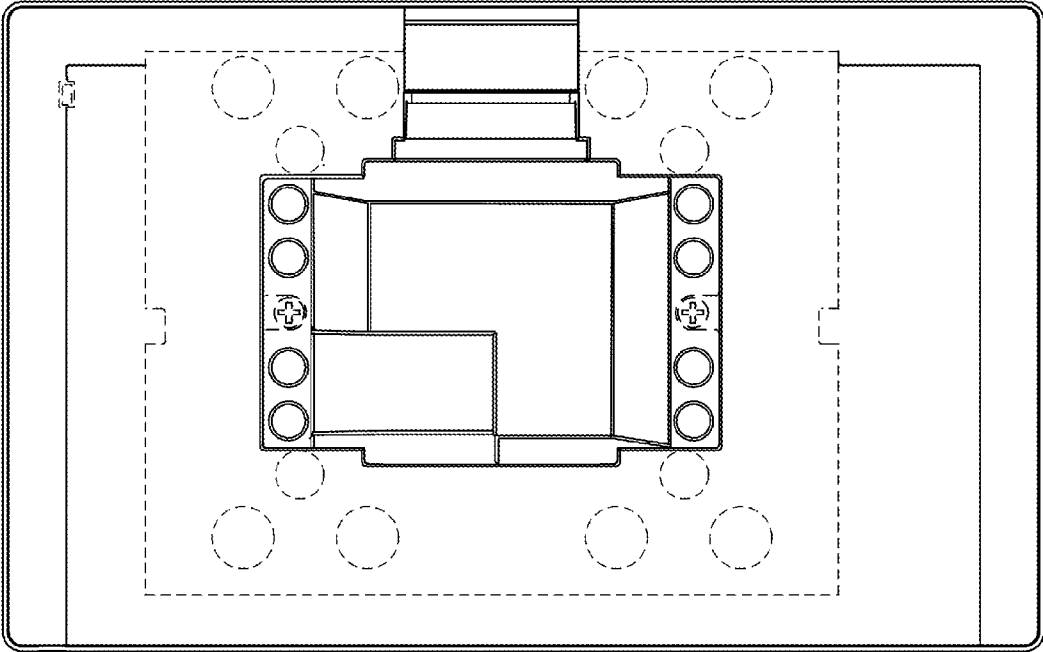


FIG. 7