



US00D748960S

(12) **United States Design Patent**
Schuler et al.

(10) **Patent No.:** **US D748,960 S**

(45) **Date of Patent:** **** Feb. 9, 2016**

(54) **CAN OPENER**

(71) Applicant: **Bradshaw International, Inc.**, Rancho Cucamonga, CA (US)

(72) Inventors: **Troy Schuler**, Rancho Cucamonga, CA (US); **Philippe De La Coussaye**, Annecy-le-Vieux (FR)

(73) Assignee: **BRADSHAW INTERNATIONAL, INC.**, Rancho Cucamonga, CA (US)

(**) Term: **14 Years**

(21) Appl. No.: **29/500,623**

(22) Filed: **Aug. 27, 2014**

(30) **Foreign Application Priority Data**

Feb. 28, 2014 (EM) 002415414-0008

(51) **LOC (10) Cl.** **07-06**

(52) **U.S. Cl.**
USPC **D8/41**

(58) **Field of Classification Search**
USPC D8/16, 18, 19, 33-43, 89, 98-104, 396, D8/105; D7/395; 30/294
CPC B67B 7/00; B67B 7/14; B67B 7/16; B67B 7/24; B67B 7/30; B67B 7/32; B67B 7/34; B67B 7/36; B67B 7/38; B67B 7/44
See application file for complete search history.

(56) **References Cited**

U.S. PATENT DOCUMENTS

1,852,389 A * 4/1932 Zidovec 30/410
2,592,934 A * 4/1952 McLean 30/426

D253,391 S *	11/1979	Dreyer	D8/39
D266,979 S *	11/1982	Steiner et al.	D8/39
D269,151 S *	5/1983	Schulein	D8/39
D292,866 S *	11/1987	Barnett	D8/41
D303,072 S *	8/1989	Ancona et al.	D8/39
D304,900 S *	12/1989	Miquelot	D8/39
D326,039 S *	5/1992	Viemeister	D8/33
5,181,322 A *	1/1993	Koo	30/416
D339,723 S *	9/1993	Tanfoglio	D8/41
5,430,945 A *	7/1995	Huang	30/410
D362,165 S *	9/1995	Wheeler	D8/36
D362,379 S *	9/1995	Tekaas	D8/39
5,581,897 A *	12/1996	Liebscher	30/416
D403,217 S *	12/1998	Usbeck	D8/39
D404,269 S *	1/1999	Chang	D8/39
D409,888 S *	5/1999	So	D8/39
D474,083 S *	5/2003	Lo	D8/39
7,409,768 B1 *	8/2008	Chapman	30/426

* cited by examiner

Primary Examiner — Elizabeth Albert

(74) *Attorney, Agent, or Firm* — The Webb Law Firm

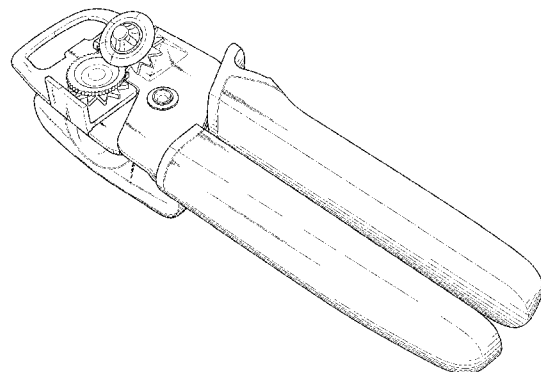
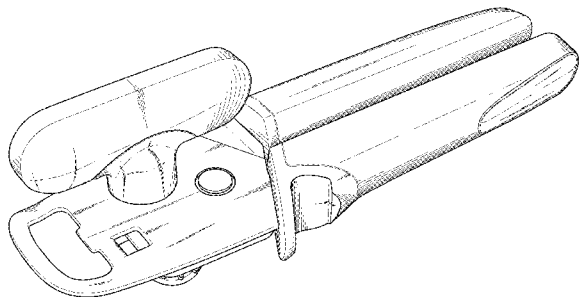
(57) **CLAIM**

The ornamental design for a can opener, as shown and described.

DESCRIPTION

FIG. 1 is an upper left front perspective view of a can opener, showing our new design;
FIG. 2 is a lower right rear perspective view thereof;
FIG. 3 is an upper left rear perspective view thereof;
FIG. 4 is a front view thereof;
FIG. 5 is a rear view thereof;
FIG. 6 is a right side view thereof; and,
FIG. 7 is a left side view thereof.

1 Claim, 7 Drawing Sheets



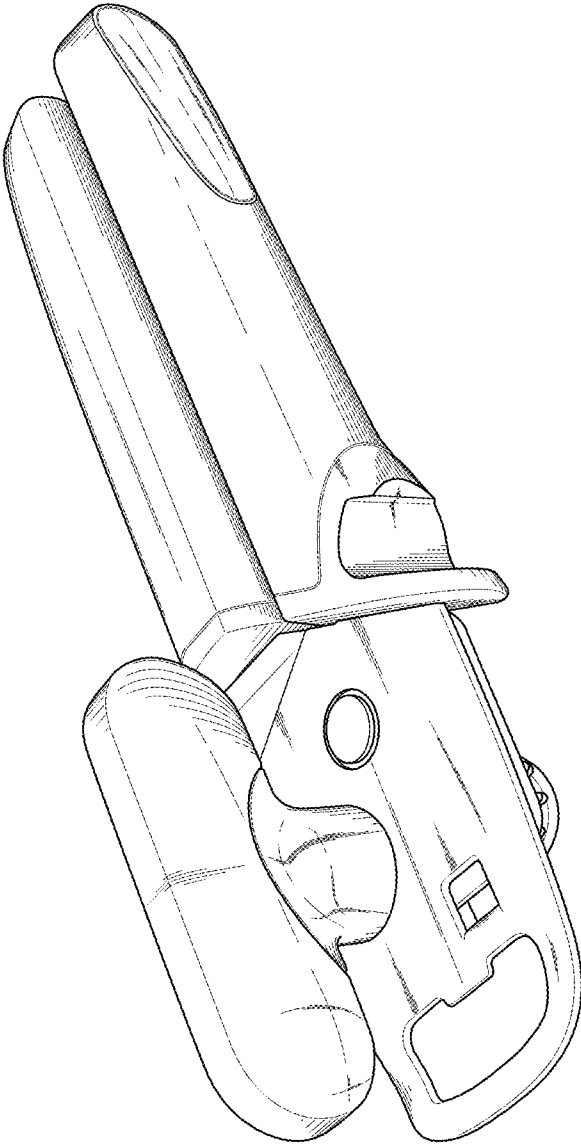


FIG. 1

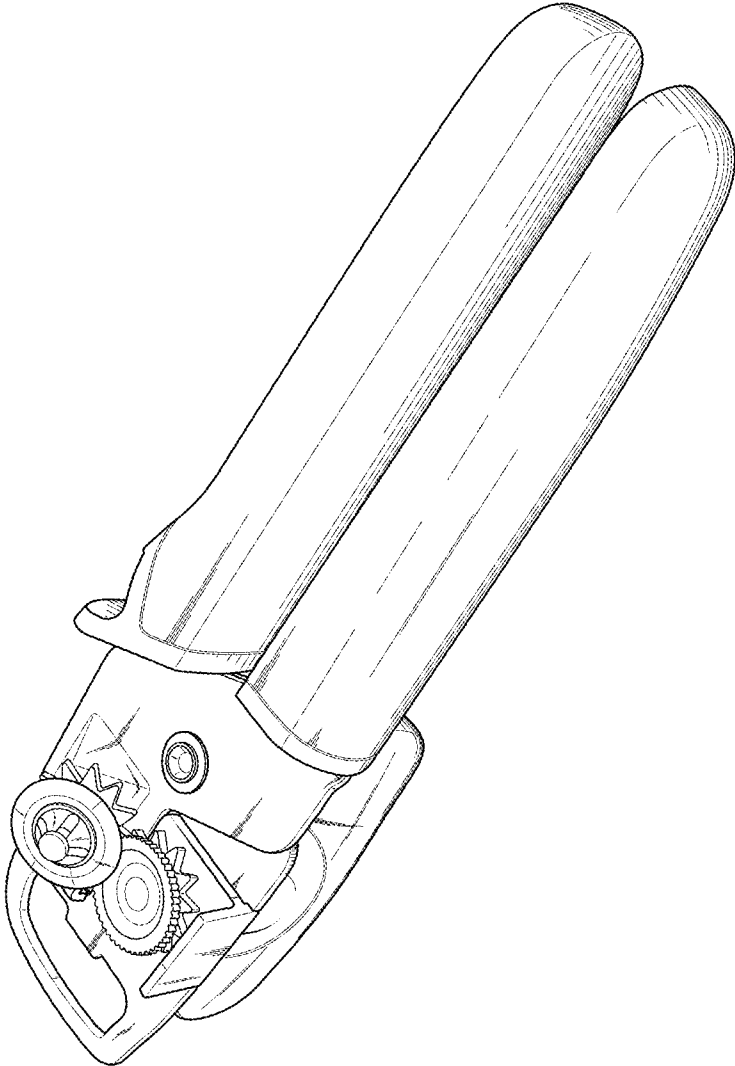


FIG. 2

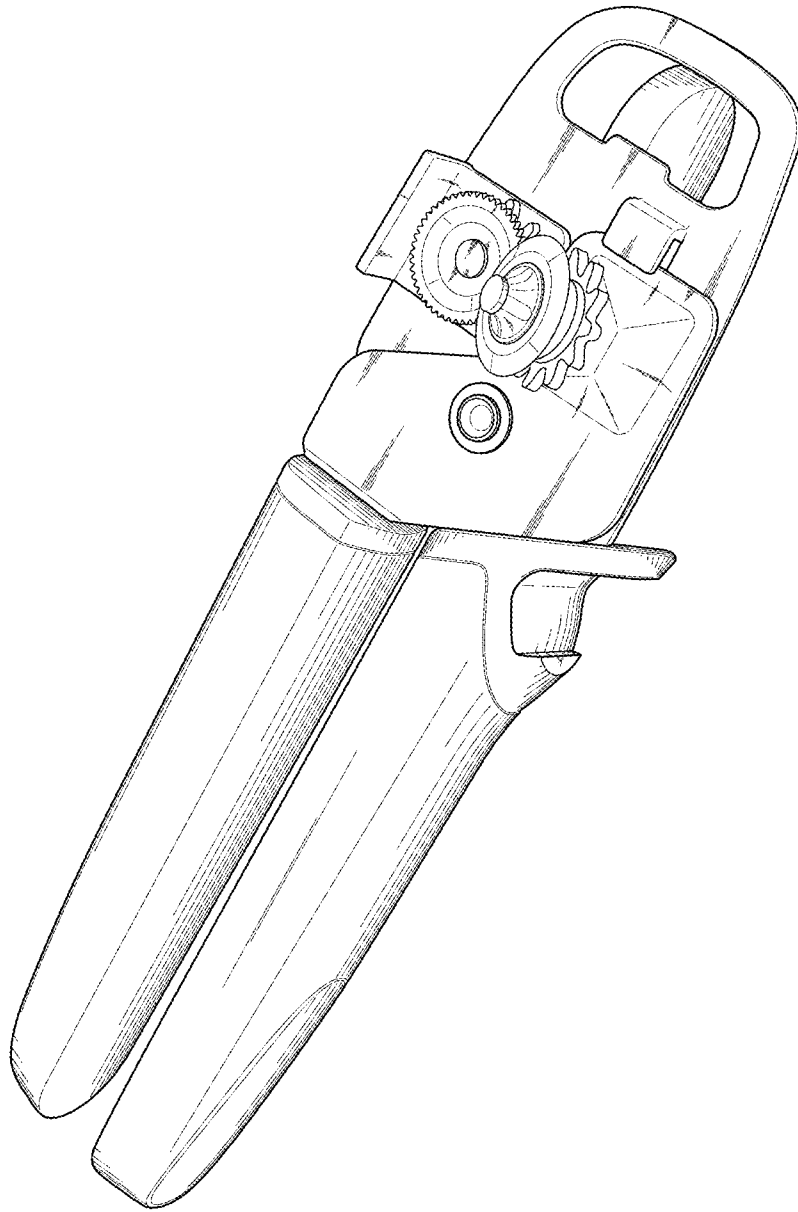


FIG. 3

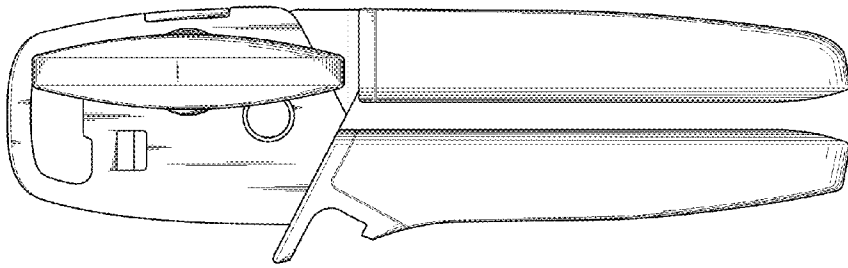


FIG. 4

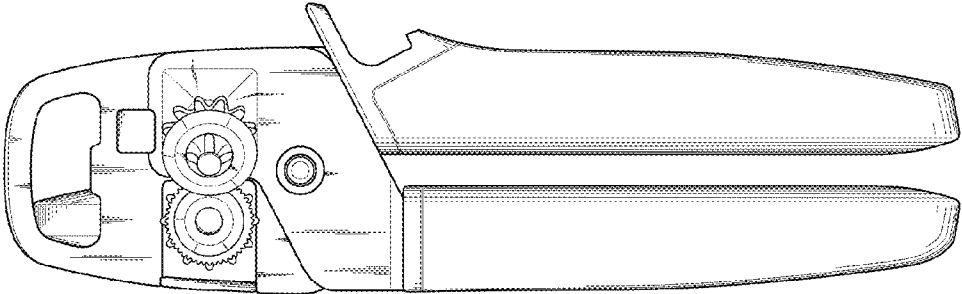


FIG. 5

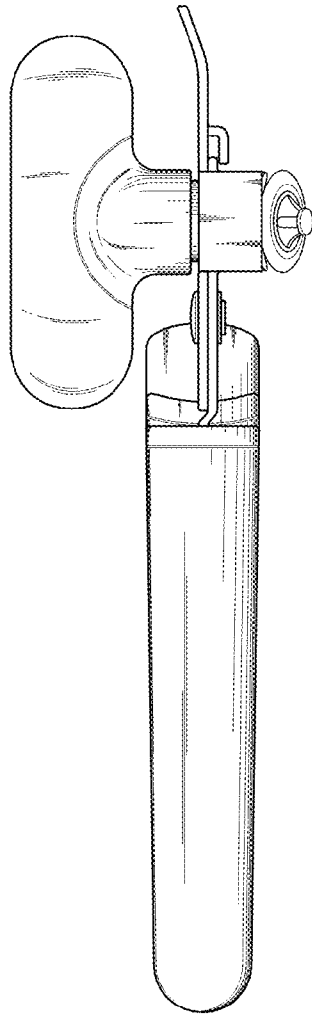


FIG. 6

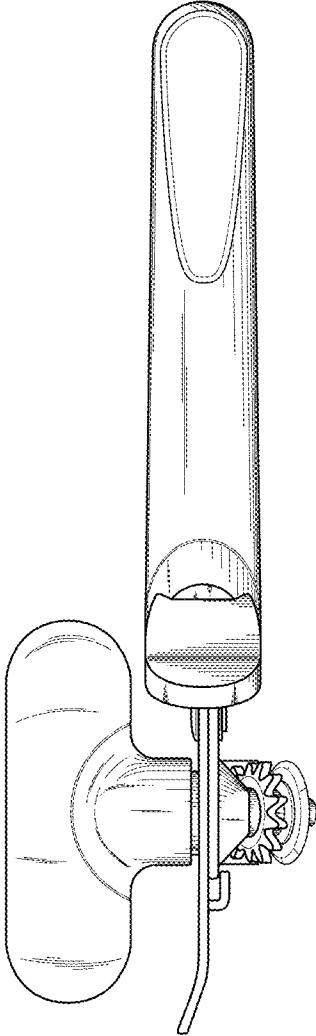


FIG. 7