



(12) **United States Design Patent**  
**Soliman**

(10) **Patent No.:** **US D736,074 S**  
(45) **Date of Patent:** **\*\* Aug. 11, 2015**

- (54) **SEAT COVER HOLDER**
- (71) Applicant: **Ibrahim Soliman**, Fair Lawn, NJ (US)
- (72) Inventor: **Ibrahim Soliman**, Fair Lawn, NJ (US)
- (\*\*) Term: **14 Years**
- (21) Appl. No.: **29/480,975**
- (22) Filed: **Jan. 31, 2014**
- (51) **LOC (10) Cl.** ..... **08-08**
- (52) **U.S. Cl.**  
USPC ..... **D8/394**
- (58) **Field of Classification Search**  
USPC ..... D8/394-396, 71-74, 499, 354-355;  
D14/230-238  
CPC ..... D06F 55/00; A41B 3/08; A41F 15/02;  
F16B 19/081; G09F 3/14; B42F 1/006;  
B42F 1/08; B42F 9/001; A47F 7/02  
See application file for complete search history.

D638,687 S \* 5/2011 Minkley et al. .... D8/349  
D710,833 S \* 8/2014 Zheng et al. .... D14/230  
2002/0153759 A1 \* 10/2002 Guillot ..... 297/452.54

**FOREIGN PATENT DOCUMENTS**

SI 200150092-0002 \* 8/2002

**OTHER PUBLICATIONS**

Seat Belt Locking Clip, video date Feb. 3, 2011, online, site visited Jun. 22, 2015 <https://www.youtube.com/watch?v=jOqbKHTXyow>.\*  
Quickfit YKK Automotive, Seat Assembly with Seat Trim Cover Fastener, online, site visited Jun. 23, 2015, <http://ykkamerica.com/auto/quickfit.htm>.\*

\* cited by examiner

*Primary Examiner* — John Windmuller

*Assistant Examiner* — John R Yeh

(74) *Attorney, Agent, or Firm* — Notaro, Michalos & Zaccaria P.C.

(56) **References Cited**

**U.S. PATENT DOCUMENTS**

- D173,148 S \* 10/1954 Emmite ..... D8/382
- D233,312 S \* 10/1974 Lock ..... D24/143
- D282,240 S \* 1/1986 Gilford ..... D8/349
- 4,874,151 A \* 10/1989 Fritz ..... 251/90
- D364,333 S \* 11/1995 Fillipp et al. .... D8/354
- D368,218 S \* 3/1996 Klein, III ..... D8/354
- D380,140 S \* 6/1997 Siemens ..... D8/354
- D397,321 S \* 8/1998 Huang ..... D12/223
- D416,191 S \* 11/1999 Edwards ..... D8/394
- D436,310 S \* 1/2001 Arnold ..... D8/354
- D503,330 S \* 3/2005 Murphy et al. .... D8/354
- 7,093,557 B2 \* 8/2006 Caruso ..... 114/361
- D535,290 S \* 1/2007 Su et al. .... D14/230
- D535,985 S \* 1/2007 Sergi ..... D14/238
- D550,540 S \* 9/2007 Nawrocki ..... D8/354
- D554,111 S \* 10/2007 Su et al. .... D14/230

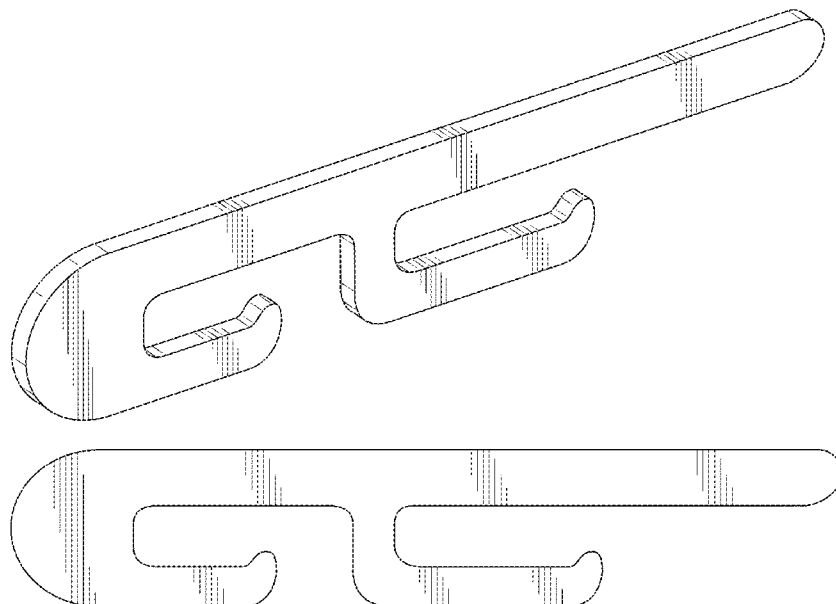
(57) **CLAIM**

The ornamental design for a seat cover holder, as shown and described.

**DESCRIPTION**

FIG. 1 is a top, front, left side perspective view of a seat cover holder showing my design;  
FIG. 2 is a front elevation view, the back side being a mirror image thereof;  
FIG. 3 is a left side elevation view thereof;  
FIG. 4 is a right side elevation view thereof;  
FIG. 5 is a top plan view thereof; and,  
FIG. 6 is a bottom plan view thereof.

**1 Claim, 2 Drawing Sheets**



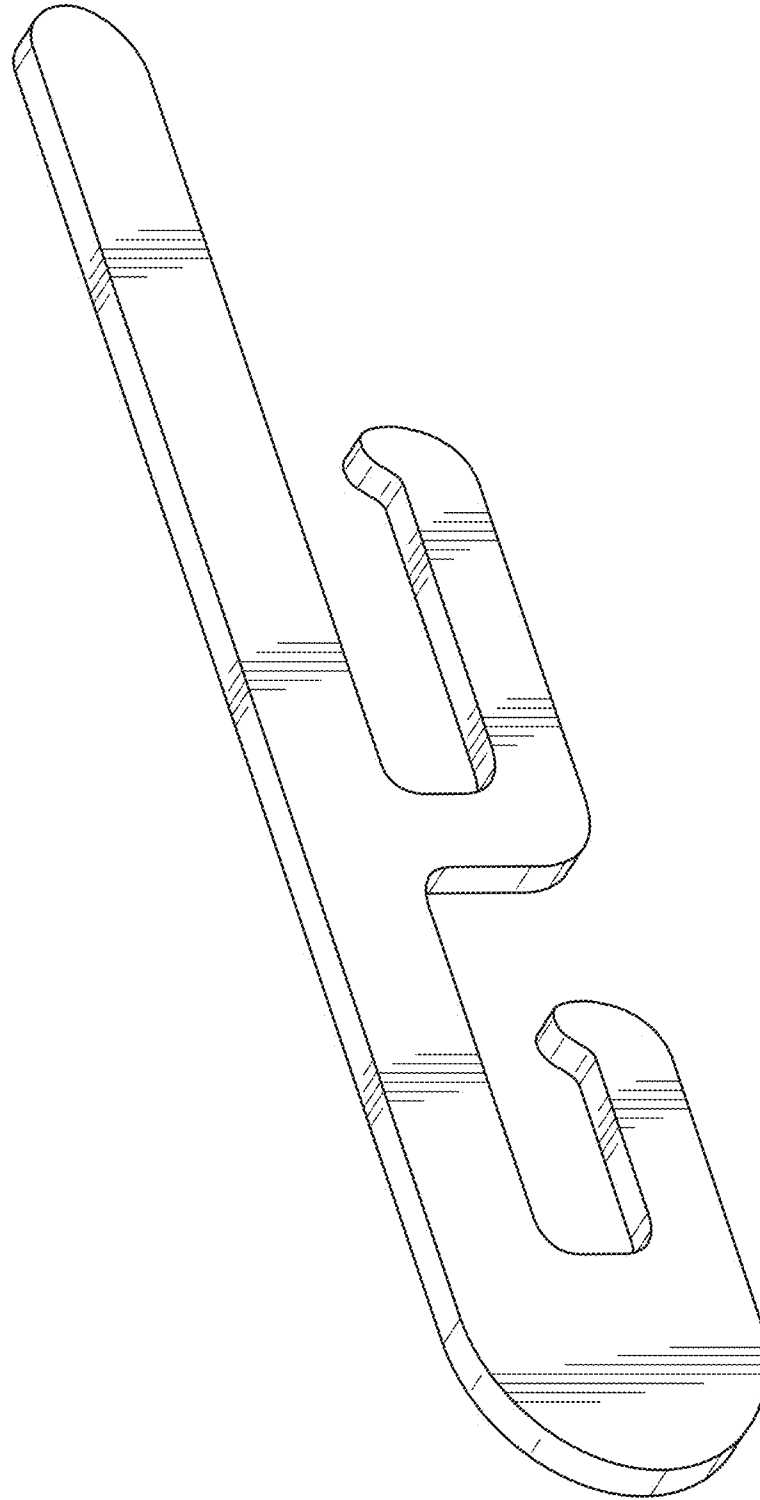


FIG. 1



FIG. 4

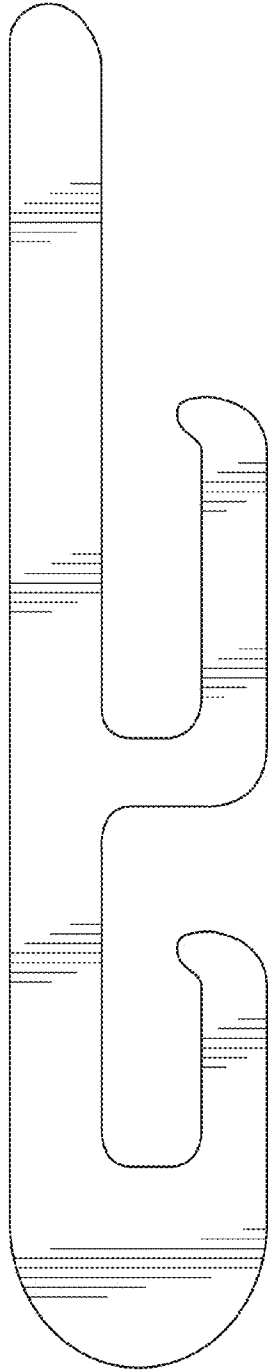


FIG. 2



FIG. 3



FIG. 5

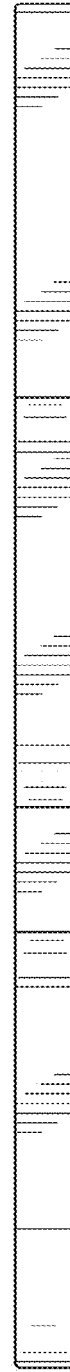


FIG. 6