

(19) World Intellectual Property Organization
International Bureau



(43) International Publication Date
28 February 2008 (28.02.2008)

PCT

(10) International Publication Number
WO 2008/024375 A3

(51) International Patent Classification:
A63B 23/18 (2006.01)

(21) International Application Number:
PCT/US2007/018527

(22) International Filing Date: 21 August 2007 (21.08.2007)

(25) Filing Language: English

(26) Publication Language: English

(30) Priority Data:
60/839,040 21 August 2006 (21.08.2006) US

(71) Applicant (for all designated States except US):
TRUDELL MEDICAL INTERNATIONAL [CA/CA];
725 Third Street, London, Ontario, N5V 5G4 (CA).

(72) Inventors; and

(75) Inventors/Applicants (for US only): **FOLEY, Martin**
[CA/CA]; 381 Grangeover Street, London, Ontario, N6G
3V8 (CA). **GRYCHOWSKI, Jerry, R.** [US/US]; 535
Waterford Drive, Lake Zurich, IL 60047 (US).

(74) Agent: **GENIN, Kent, E.**; Brinks Hofer Gilson & Lione,
P.O. Box 10087, Chicago, IL 60610 (US).

(81) Designated States (unless otherwise indicated, for every kind of national protection available): AE, AG, AL, AM, AT, AU, AZ, BA, BB, BG, BH, BR, BW, BY, BZ, CA, CH, CN, CO, CR, CU, CZ, DE, DK, DM, DO, DZ, EC, EE, EG, ES, FI, GB, GD, GE, GH, GM, GT, HN, HR, HU, ID, IL, IN, IS, JP, KE, KG, KM, KN, KP, KR, KZ, LA, LC, LK, LR, LS, LT, LU, LY, MA, MD, ME, MG, MK, MN, MW, MX, MY, MZ, NA, NG, NI, NO, NZ, OM, PG, PH, PL, PT, RO, RS, RU, SC, SD, SE, SG, SK, SL, SM, SV, SY, TJ, TM, TN, TR, TT, TZ, UA, UG, US, UZ, VC, VN, ZA, ZM, ZW.

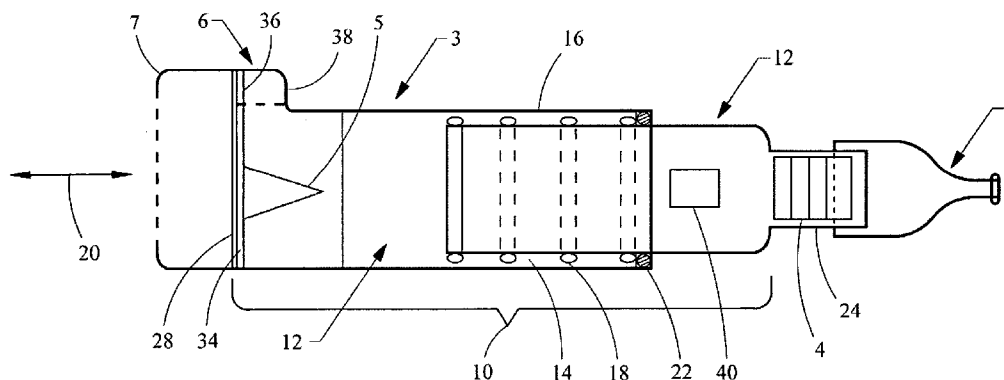
(84) Designated States (unless otherwise indicated, for every kind of regional protection available): ARIPO (BW, GH, GM, KE, LS, MW, MZ, NA, SD, SL, SZ, TZ, UG, ZM, ZW), Eurasian (AM, AZ, BY, KG, KZ, MD, RU, TJ, TM), European (AT, BE, BG, CH, CY, CZ, DE, DK, EE, ES, FI, FR, GB, GR, HU, IE, IS, IT, LT, LU, LV, MC, MT, NL, PL, PT, RO, SE, SI, SK, TR), OAPI (BF, BJ, CF, CG, CI, CM, GA, GN, GQ, GW, ML, MR, NE, SN, TD, TG).

Published:

- with international search report
- before the expiration of the time limit for amending the claims and to be republished in the event of receipt of amendments

(88) Date of publication of the international search report:
17 April 2008

(54) Title: RESPIRATORY MUSCLE ENDURANCE TRAINING DEVICE AND METHOD FOR THE USE THEREOF



(57) Abstract: A respiratory muscle endurance training device (RMET) includes a chamber and a patient interface. In one implementation, one or both of a CO₂ sensor or a temperature sensor can be coupled to the chamber or patient interface to provide the user or caregiver with indicia about the CO₂ level in, or the temperature of, the chamber or patient interface, and/or the duration of use of the device. In another implementation, the RMET may have a fixed volume portion adjustable to contain a measured portion of a specific patient's inspiratory volume capacity. Methods of using the device are also provided.

WO 2008/024375 A3

INTERNATIONAL SEARCH REPORT

International application No
PCT/US2007/018527

A. CLASSIFICATION OF SUBJECT MATTER
INV. A63B23/18

According to International Patent Classification (IPC) or to both national classification and IPC

B. FIELDS SEARCHED

Minimum documentation searched (classification system followed by classification symbols)
A63B

Documentation searched other than minimum documentation to the extent that such documents are included in the fields searched

Electronic data base consulted during the international search (name of data base and, where practical, search terms used)

EPO-Internal

C. DOCUMENTS CONSIDERED TO BE RELEVANT

Category*	Citation of document, with indication, where appropriate, of the relevant passages	Relevant to claim No.
X	US 6 165 105 A (BOUPELLIER URS [CH] ET AL) 26 December 2000 (2000-12-26)	1-4, 6-22
Y	column 5, line 21 - line 38; figures 1-2D, 7-11 column 7, line 15 - line 16 column 8, line 37 - line 58	25
X	US 6 083 141 A (HOUGEN EVERETT D [US]) 4 July 2000 (2000-07-04)	1, 4, 5, 22-24
Y	abstract column 5, line 28 - line 42 column 7, line 1 - line 5 column 10, line 9 - line 14	25
	-/--	

Further documents are listed in the continuation of Box C.

See patent family annex.

* Special categories of cited documents :

- *A* document defining the general state of the art which is not considered to be of particular relevance
- *E* earlier document but published on or after the international filing date
- *L* document which may throw doubts on priority claim(s) or which is cited to establish the publication date of another citation or other special reason (as specified)
- *O* document referring to an oral disclosure, use, exhibition or other means
- *P* document published prior to the international filing date but later than the priority date claimed

- *T* later document published after the international filing date or priority date and not in conflict with the application but cited to understand the principle or theory underlying the invention
- *X* document of particular relevance; the claimed invention cannot be considered novel or cannot be considered to involve an inventive step when the document is taken alone
- *Y* document of particular relevance; the claimed invention cannot be considered to involve an inventive step when the document is combined with one or more other such documents, such combination being obvious to a person skilled in the art.
- *Z* document member of the same patent family

Date of the actual completion of the international search

8 February 2008

Date of mailing of the international search report

20/02/2008

Name and mailing address of the ISA/

European Patent Office, P.B. 5818 Patentlaan 2
NL - 2280 HV Rijswijk
Tel. (+31-70) 340-2040, Tx. 31 651 epo nl,
Fax: (+31-70) 340-3016

Authorized officer

Jones, Mark

INTERNATIONAL SEARCH REPORT

International application No
PCT/US2007/018527

C(Continuation). DOCUMENTS CONSIDERED TO BE RELEVANT		
Category*	Citation of document, with indication, where appropriate, of the relevant passages	Relevant to claim No.
X	WO 01/39837 A (ALTO2LAB LTD [NZ]; DOWNEY BRENDON MICHAEL [NZ]) 7 June 2001 (2001-06-07)	1
A	page 9, line 1 - line 17 page 10, line 15 - line 22	23,24
X	GB 2 238 728 A (HEPBURN CHRISTOPHER HARRY) 12 June 1991 (1991-06-12) page 2, last paragraph - page 3, paragraph 1 page 4, last paragraph - page 5, paragraph 1; figures	1,6,10, 22-24
X	EP 0 027 154 A (BECTON DICKINSON CO [US]) 22 April 1981 (1981-04-22) abstract; figures	1
X	US 5 755 640 A (FROLOV VLADIMIR F [RU] ET AL) 26 May 1998 (1998-05-26) column 4, line 59 - line 64; figures	1

INTERNATIONAL SEARCH REPORT

Information on patent family members

International application No

PCT/US2007/018527

Patent document cited in search report	Publication date	Patent family member(s)	Publication date
US 6165105	A	26-12-2000	NONE
US 6083141	A	04-07-2000	AU 4920596 A 27-08-1996 CA 2212642 A1 15-08-1996 EP 0808197 A1 26-11-1997 JP 3786961 B2 21-06-2006 JP 11500633 T 19-01-1999 US 5890998 A 06-04-1999 WO 9624407 A1 15-08-1996 US 5658221 A 19-08-1997
WO 0139837	A	07-06-2001	AT 282460 T 15-12-2004 AU 780475 B2 24-03-2005 AU 1903001 A 12-06-2001 CA 2393495 A1 07-06-2001 DE 60016020 D1 23-12-2004 DE 60016020 T2 01-12-2005 EP 1235619 A1 04-09-2002 ES 2249312 T3 01-04-2006 JP 2003515398 T 07-05-2003 US 2002170561 A1 21-11-2002
GB 2238728	A	12-06-1991	US 5154167 A 13-10-1992
EP 0027154	A	22-04-1981	AT 3947 T 15-07-1983 AU 5112279 A 02-04-1981 DE 2965800 D1 04-08-1983
US 5755640	A	26-05-1998	NONE