

(19) World Intellectual Property Organization
International Bureau



(43) International Publication Date
4 May 2006 (04.05.2006)

PCT

(10) International Publication Number
WO 2006/047708 A3

- (51) International Patent Classification:
A61B 17/00 (2006.01) A61B 7/04 (2006.01)
- (21) International Application Number:
PCT/US2005/038842
- (22) International Filing Date: 25 October 2005 (25.10.2005)
- (25) Filing Language: English
- (26) Publication Language: English
- (30) Priority Data:
10/974,482 26 October 2004 (26.10.2004) US
- (71) Applicant (for all designated States except US):
BARONOVA, INC. [US/US]; 281 South Magnolia Avenue, Goleta, CA 93117 (US).

(74) Agent: SERAFINI, Franco, A.; Luce, Forward, Hamilton & Scripps, LLP, 11988 El Camino Real, Suite 200, San Diego, CA 92130 (US).

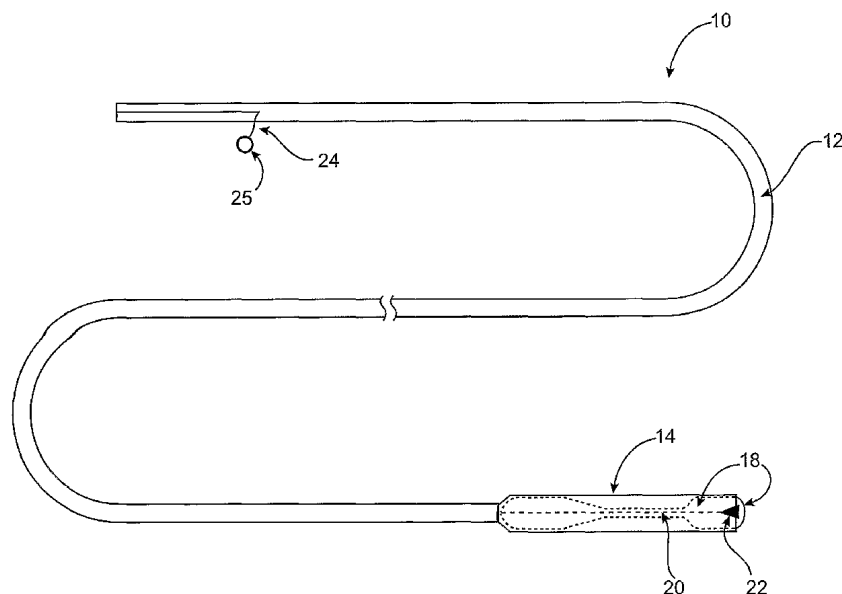
(81) Designated States (unless otherwise indicated, for every kind of national protection available): AE, AG, AL, AM, AT, AU, AZ, BA, BB, BG, BR, BW, BY, BZ, CA, CH, CN, CO, CR, CU, CZ, DE, DK, DM, DZ, EC, EE, EG, ES, FI, GB, GD, GE, GH, GM, HR, HU, ID, IL, IN, IS, JP, KE, KG, KM, KP, KR, KZ, LC, LK, LR, LS, LT, LU, LV, LY, MA, MD, MG, MK, MN, MW, MX, MZ, NA, NG, NI, NO, NZ, OM, PG, PH, PL, PT, RO, RU, SC, SD, SE, SG, SK, SL, SM, SY, TJ, TM, TN, TR, TT, TZ, UA, UG, US, UZ, VC, VN, YU, ZA, ZM, ZW.

(84) Designated States (unless otherwise indicated, for every kind of regional protection available): ARIPO (BW, GH, GM, KE, LS, MW, MZ, NA, SD, SL, SZ, TZ, UG, ZM, ZW), Eurasian (AM, AZ, BY, KG, KZ, MD, RU, TJ, TM), European (AT, BE, BG, CH, CY, CZ, DE, DK, EE, ES, FI, FR, GB, GR, HU, IE, IS, IT, LT, LU, LV, MC, NL, PL, PT, RO, SE, SI, SK, TR), OAPI (BF, BJ, CF, CG, CI, CM, GA, GN, GQ, GW, ML, MR, NE, SN, TD, TG).

- (72) Inventors; and
- (75) Inventors/Applicants (for US only): BURNETT, Daniel, R. [US/US]; 280 Sussex Street, San Francisco, CA 94131 (US). HALL, Gregory, W. [US/US]; 1026 Haven Avenue, Redwood City, California 94063 (US). BAJOR, Jordan, T. [US/US]; 1183 Lincoln Avenue, Palo Alto, California 94301 (US). FISHER, Winfield, Scott [US/US]; 333 Willow Street, Apartment 215, Alameda, California 94501 (US). HITES, Tibor, Laszlo [US/US]; 4 Vance Lane, Lafayette, California 94549 (US).

Published:
— with international search report
(88) Date of publication of the international search report:
16 April 2009

(54) Title: MEDICAL DEVICE DELIVERY CATHETER



(57) Abstract: Apparatus for delivering a medical device to a location in a patient's body includes an elongate catheter body having a proximal end and a distal end, a pod coupled with the distal end of the catheter body and adapted to house the medical device during delivery to the location and to open to release the medical device, and at least one distal actuator coupled with at least one of the pod and the medical device. The distal actuator is adapted to promote opening of the pod. A method involves advancing a pod at the distal end of an elongate catheter to the location within the body and activating an actuator coupled with the pod and/or the medical device to cause the pod to open. Opening the pod releases the medical device.

WO 2006/047708 A3

INTERNATIONAL SEARCH REPORT

International application No.
PCT/US05/38842

A. CLASSIFICATION OF SUBJECT MATTER
 IPC: **A61B 17/00**(2006.01)
 A61B 7/04(2006.01)

 USPC: 606/191,194,198,200,151,159.
 According to International Patent Classification (IPC) or to both national classification and IPC

B. FIELDS SEARCHED
 Minimum documentation searched (classification system followed by classification symbols)
 U.S. : 606/191, 194, 198, 200, 151, 159.

Documentation searched other than minimum documentation to the extent that such documents are included in the fields searched

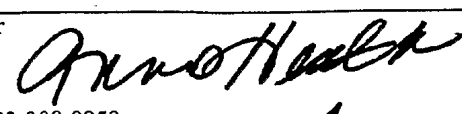
Electronic data base consulted during the international search (name of data base and, where practicable, search terms used)
 EAST

C. DOCUMENTS CONSIDERED TO BE RELEVANT

Category *	Citation of document, with indication, where appropriate, of the relevant passages	Relevant to claim No.
Y	US 5,895,410 (Forber et al) 20 April 1999, Figs. 1-21	1-82

Further documents are listed in the continuation of Box C. See patent family annex.

* Special categories of cited documents:	"
"A" document defining the general state of the art which is not considered to be of particular relevance	"T" later document published after the international filing date or priority date and not in conflict with the application but cited to understand the principle or theory underlying the invention
"E" earlier application or patent published on or after the international filing date	"X" document of particular relevance; the claimed invention cannot be considered novel or cannot be considered to involve an inventive step when the document is taken alone
"L" document which may throw doubts on priority claim(s) or which is cited to establish the publication date of another citation or other special reason (as specified)	"Y" document of particular relevance; the claimed invention cannot be considered to involve an inventive step when the document is combined with one or more other such documents, such combination being obvious to a person skilled in the art
"O" document referring to an oral disclosure, use, exhibition or other means	"&" document member of the same patent family
"P" document published prior to the international filing date but later than the priority date claimed	

Date of the actual completion of the international search 14 April 2008 (14.04.2008)	Date of mailing of the international search report 22 APR 2008
Name and mailing address of the ISA/US Mail Stop PCT, Attn: ISA/US Commissioner for Patents P.O. Box 1450 Alexandria, Virginia 22313-1450 Facsimile No. (571) 273-3201	Authorized officer Vy Q. Bui  Telephone No. 703-308-0858 