



US00D667411S

(12) **United States Design Patent**
Kim

(10) **Patent No.:** **US D667,411 S**

(45) **Date of Patent:** **** Sep. 18, 2012**

(54) **DOCKING STATION**

(75) Inventor: **Ik-Sang Kim**, Seoul (KR)

(73) Assignee: **Samsung Electronics Co., Ltd.**,
Suwon-si, Gyeonggi-do (KR)

(**) Term: **14 Years**

(21) Appl. No.: **29/406,663**

(22) Filed: **Nov. 17, 2011**

(30) **Foreign Application Priority Data**

Sep. 22, 2011 (KR) 30-2011-0039354

(51) **LOC (9) Cl.** **14-02**

(52) **U.S. Cl.** **D14/434**

(58) **Field of Classification Search** D14/432-434,
D14/314, 204, 420, 421, 217; D13/107,
D13/108, 118, 146; D8/373; 248/346.03,
248/176.1; 320/107, 109-115; 361/600,
361/679.14, 679.31, 679.32, 679.4, 679.41,
361/679.43, 679.55

See application file for complete search history.

(56) **References Cited**

U.S. PATENT DOCUMENTS

6,456,492	B1	*	9/2002	Wang et al.	361/679.4
D554,107	S	*	10/2007	Calco et al.	D14/217
D596,626	S	*	7/2009	Andre et al.	D14/240
D620,953	S	*	8/2010	Andre et al.	D14/496
D633,503	S	*	3/2011	Bo et al.	D14/434
D647,908	S	*	11/2011	Chen et al.	D14/434

* cited by examiner

Primary Examiner — Freda S Nunn

(74) *Attorney, Agent, or Firm* — Flynn, Thiel, Boutell & Tanis, P.C.

(57) **CLAIM**

The ornamental design for a docking station, as shown and described.

DESCRIPTION

FIG. 1 is a top front perspective view of a docking station showing my new design;

FIG. 2 is a front elevational view thereof;

FIG. 3 is a rear elevational view thereof;

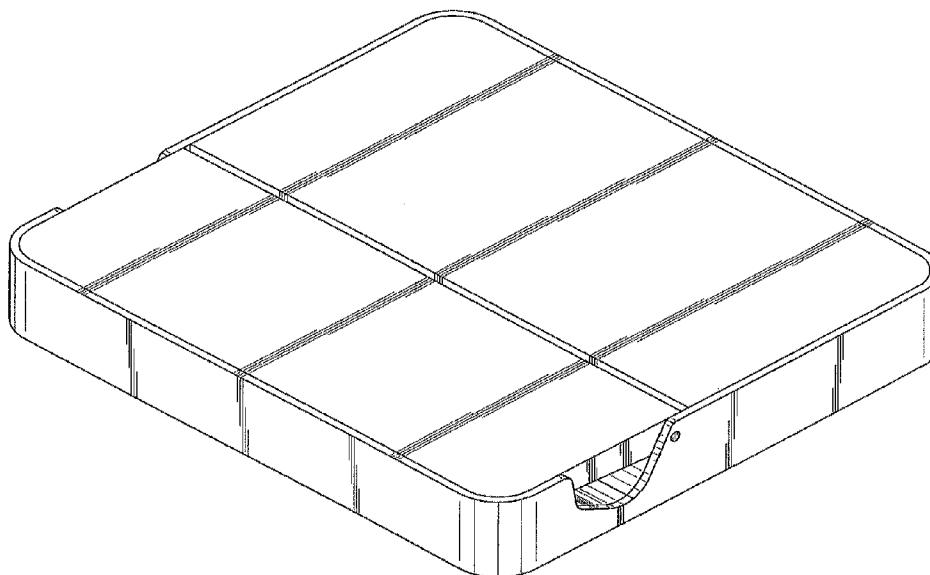
FIG. 4 is a left side elevational view thereof;

FIG. 5 is a right side elevational view thereof;

FIG. 6 is a top plan view thereof; and,

FIG. 7 is a bottom plan view thereof.

1 Claim, 3 Drawing Sheets



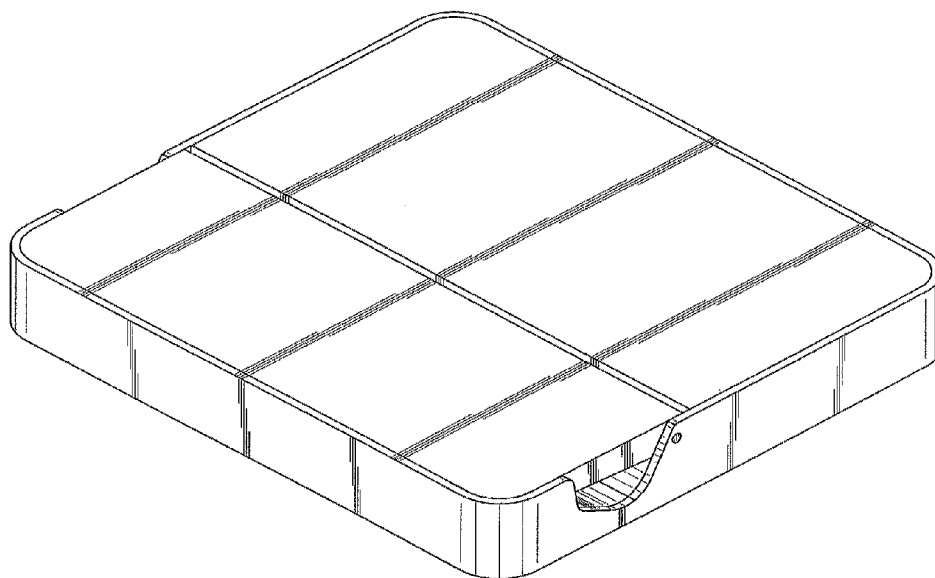


FIG.1

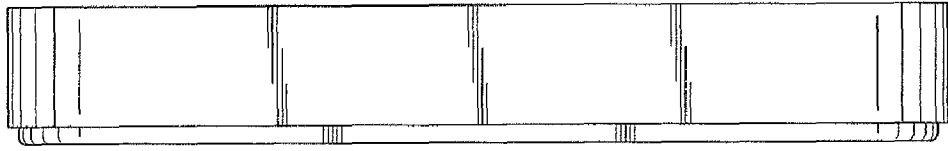


FIG. 2

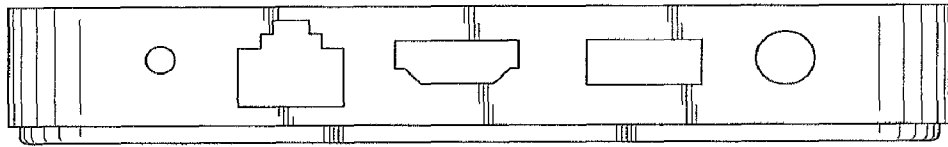


FIG. 3



FIG. 4

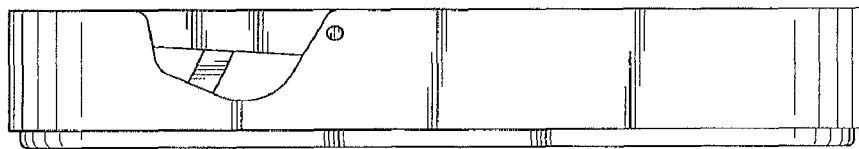


FIG. 5

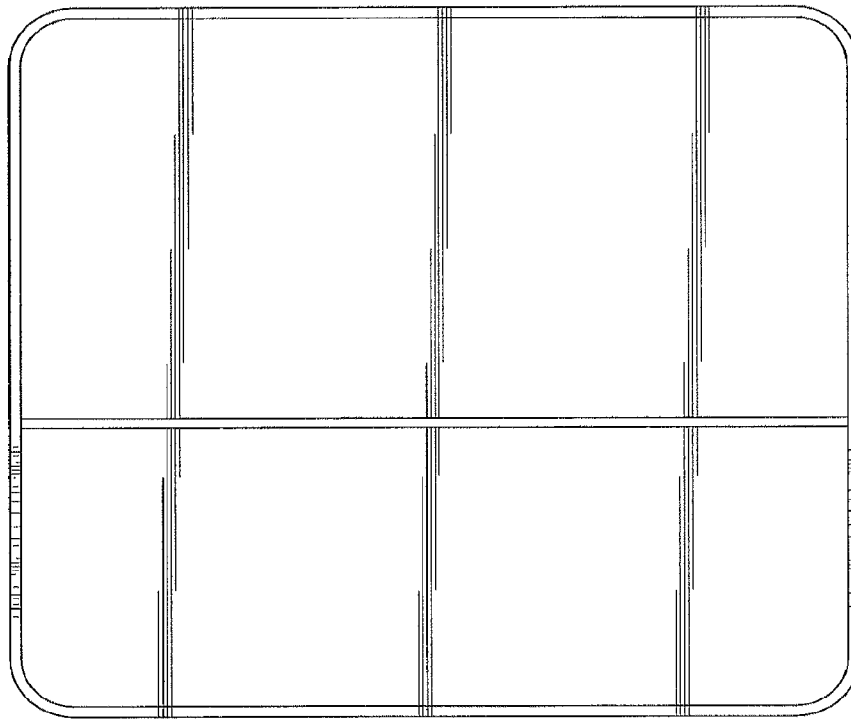


FIG. 6

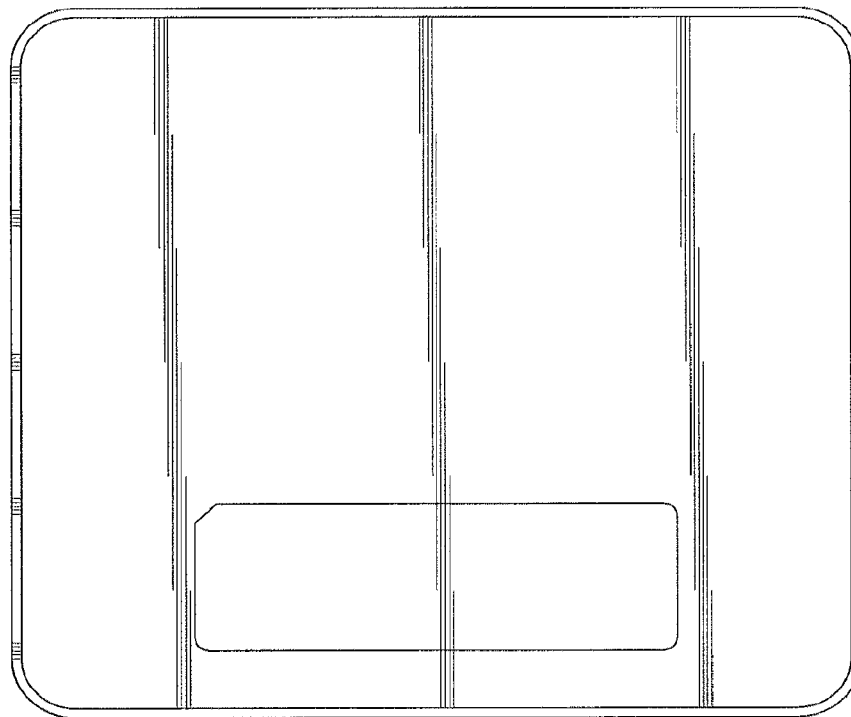


FIG. 7