

June 13, 1939.

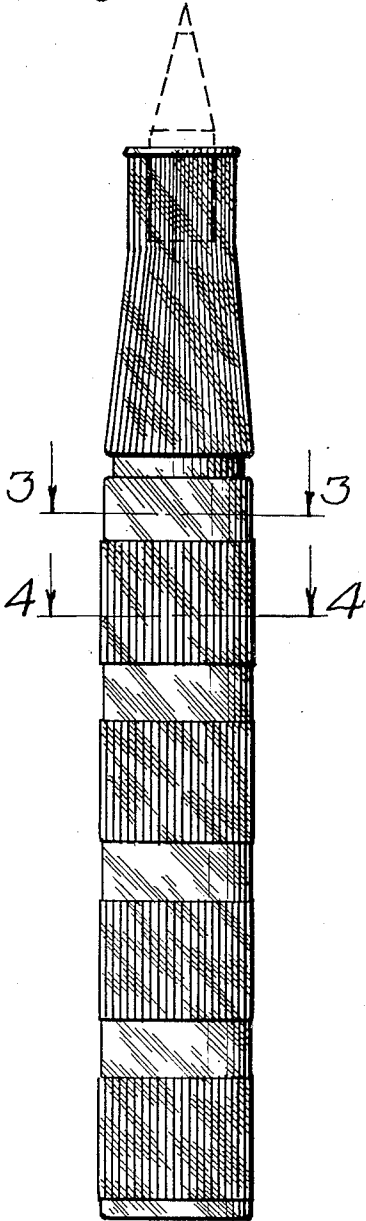
T. H. STOUGH

Des. 115,241

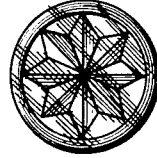
CANDY CONTAINER

Filed March 30, 1939

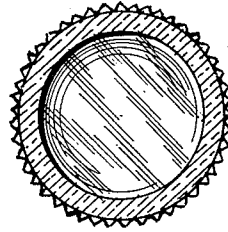
*Fig. 1.*



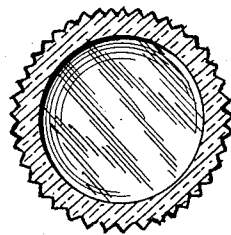
*Fig. 2.*



*Fig. 3.*



*Fig. 4.*



Inventor  
*Journey H. Stough.*

354

*Bryant & Lowry.*  
Attorney S.

# UNITED STATES PATENT OFFICE

115,241

DESIGN FOR A CANDY CONTAINER

Turney H. Stough, Jeannette, Pa.

Application March 30, 1939, Serial No. 83,924

Term of patent 3½ years

*To all whom it may concern:*

Be it known that I, Turney H. Stough, a citizen of the United States of America, residing at Jeannette, in the county of Westmoreland and State of Pennsylvania, have invented a new, original, and ornamental Design for a Candy Container, of which the following is a specification, reference being had to the accompanying drawing, forming part thereof.

In the drawing:

Figure 1 is a side elevational view of a candy container, showing my new design;

Figure 2 is an end elevational view thereof;

Figure 3 is a section taken on line 3—3 of Figure 1; and

Figure 4 is a section taken on line 4—4 of Figure 1.

I claim:

The ornamental design for a candy container, as shown.

TURNEY H. STOUGH.