



US00D780233S

(12) **United States Design Patent**
Saari et al.

(10) **Patent No.:** **US D780,233 S**

(45) **Date of Patent:** **** Feb. 28, 2017**

- (54) **CAB FOR VEHICLE**
- (71) Applicant: **SANDVIK MINING AND CONSTRUCTION OY**, Tampere (FI)
- (72) Inventors: **Jaakko Saari**, Tampere (FI); **Oki Ahokas**, Tampere (FI); **Jarmo Rantanen**, Julkujarvi (FI)
- (73) Assignee: **SANDVIK MINING AND CONSTRUCTION OY**, Tampere (FI)
- (**) Term: **15 Years**
- (21) Appl. No.: **29/547,420**
- (22) Filed: **Dec. 3, 2015**
- (51) **LOC (10) Cl.** **15-03**
- (52) **U.S. Cl.**
USPC **D15/30**
- (58) **Field of Classification Search**
USPC D15/28, 30, 31, 22-26; D34/37; 180/89.11, 180/89.12, 89.13, 89.19, 900
CPC B66C 13/54; E02F 9/16; E02F 9/163; E02F 9/06; B62D 33/0617; B62D 49/00-49/085; B62D 33/06-33/073; B60J 7/00; B60J 1/004; B60J 1/02; B60J 1/04; B60J 5/0487
See application file for complete search history.

D446,225	S *	8/2001	Brandenburg, III	D15/30
D453,023	S *	1/2002	Kaneko	D15/21
D455,763	S *	4/2002	Brandenburg, III	D15/28
D637,630	S *	5/2011	Yamamoto	D15/30
D642,205	S *	7/2011	Yamamoto	D15/30
D660,880	S *	5/2012	Laugerette	D15/30
D660,881	S *	5/2012	Bohme	D15/30
D671,566	S *	11/2012	Fang	D15/30
D678,360	S *	3/2013	Kozai	D15/30
D684,607	S *	6/2013	Hagura	D15/30
D687,868	S *	8/2013	Watson	D15/30
D720,370	S *	12/2014	Carter	D15/30
D725,156	S *	3/2015	Saari	D15/21
D726,780	S *	4/2015	Saari	D15/21
D733,192	S *	6/2015	Saari	D15/21
D749,148	S *	2/2016	Darekar	D15/30
D751,123	S *	3/2016	Kazakoff	D15/30
D762,248	S *	7/2016	Steinhardt	D15/30
2009/0026803	A1 *	1/2009	Yano	B60J 1/04 296/190.1

* cited by examiner

Primary Examiner — Mark Goodwin
(74) *Attorney, Agent, or Firm* — Corinne R. Gorski

(57) **CLAIM**

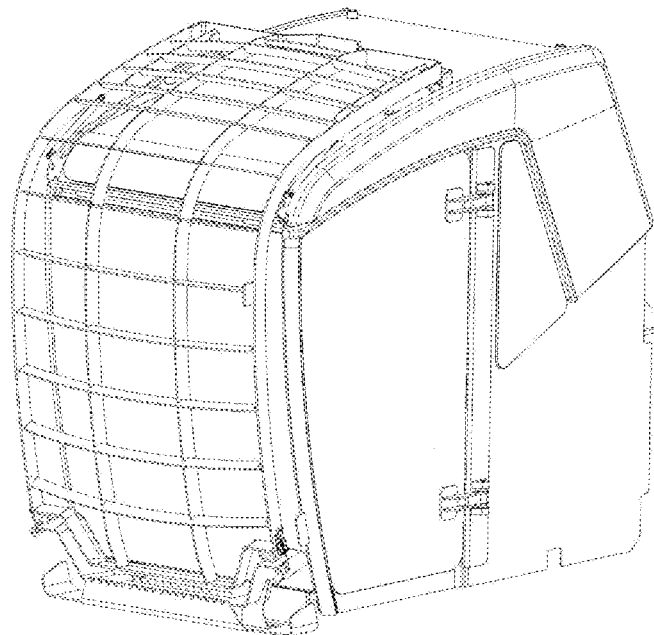
The ornamental design for a cab for vehicle, as shown and described.

DESCRIPTION

FIG. 1 is a front perspective view of a cab for vehicle;
FIG. 2 is a rear perspective view thereof;
FIG. 3 is a side view thereof;
FIG. 4 is an opposite side view thereof;
FIG. 5 is a front view thereof;
FIG. 6 is a rear view thereof; and,
FIG. 7 is a top view thereof.

1 Claim, 7 Drawing Sheets

- (56) **References Cited**
U.S. PATENT DOCUMENTS
4,082,343 A * 4/1978 Hurt, II B62D 33/0604
180/89.12
D267,648 S * 1/1983 Baconet D15/30
D438,878 S * 3/2001 Brandenburg, III D15/30



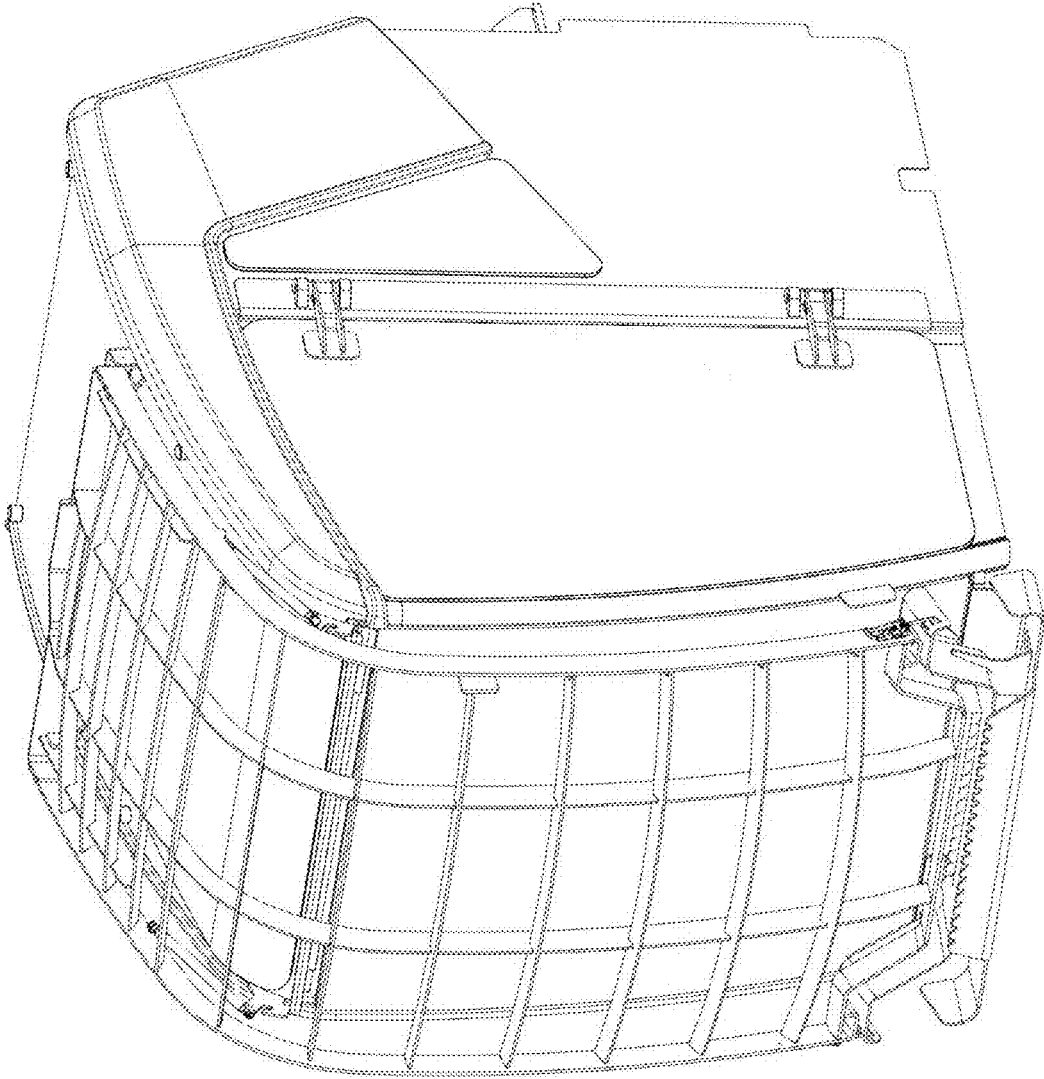


Fig. 1

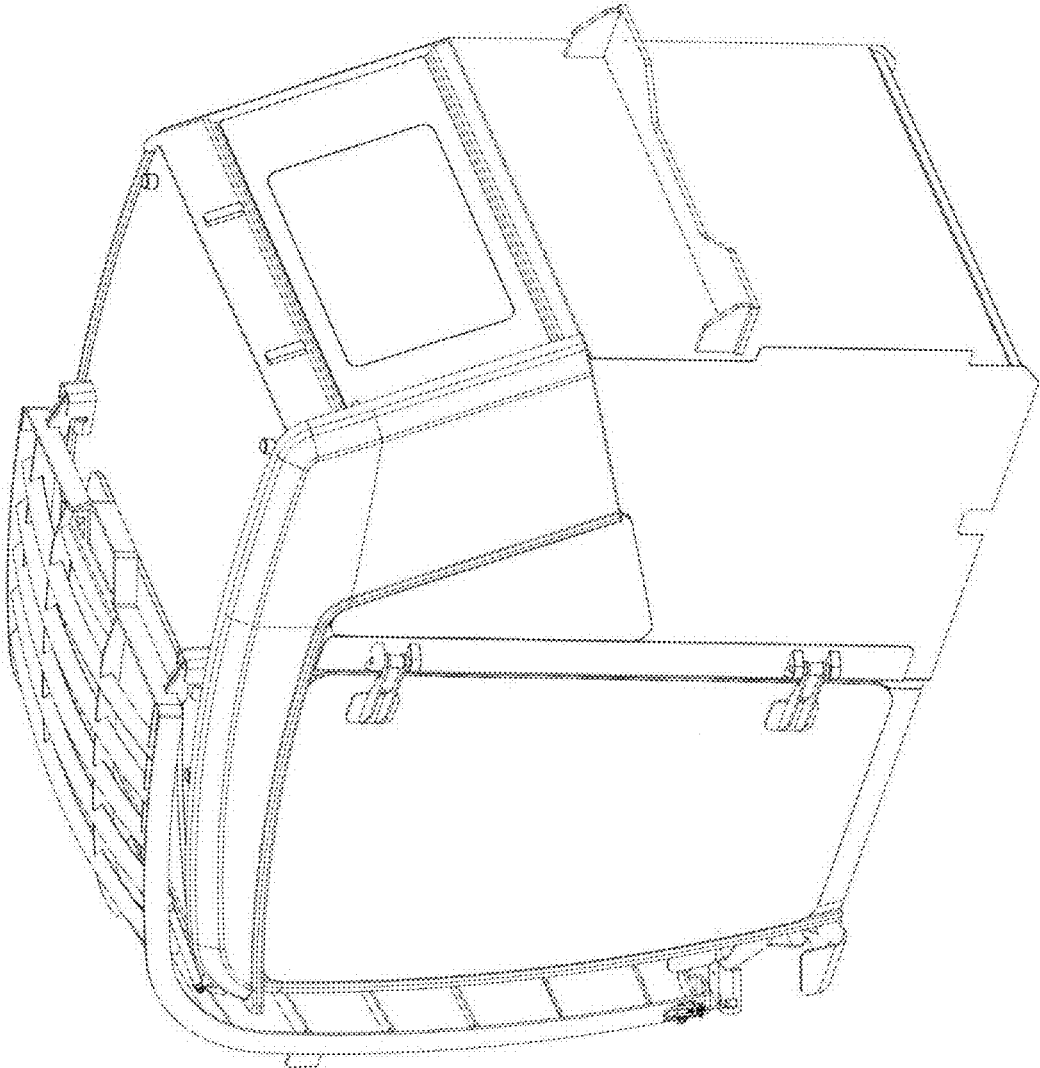


Fig. 2

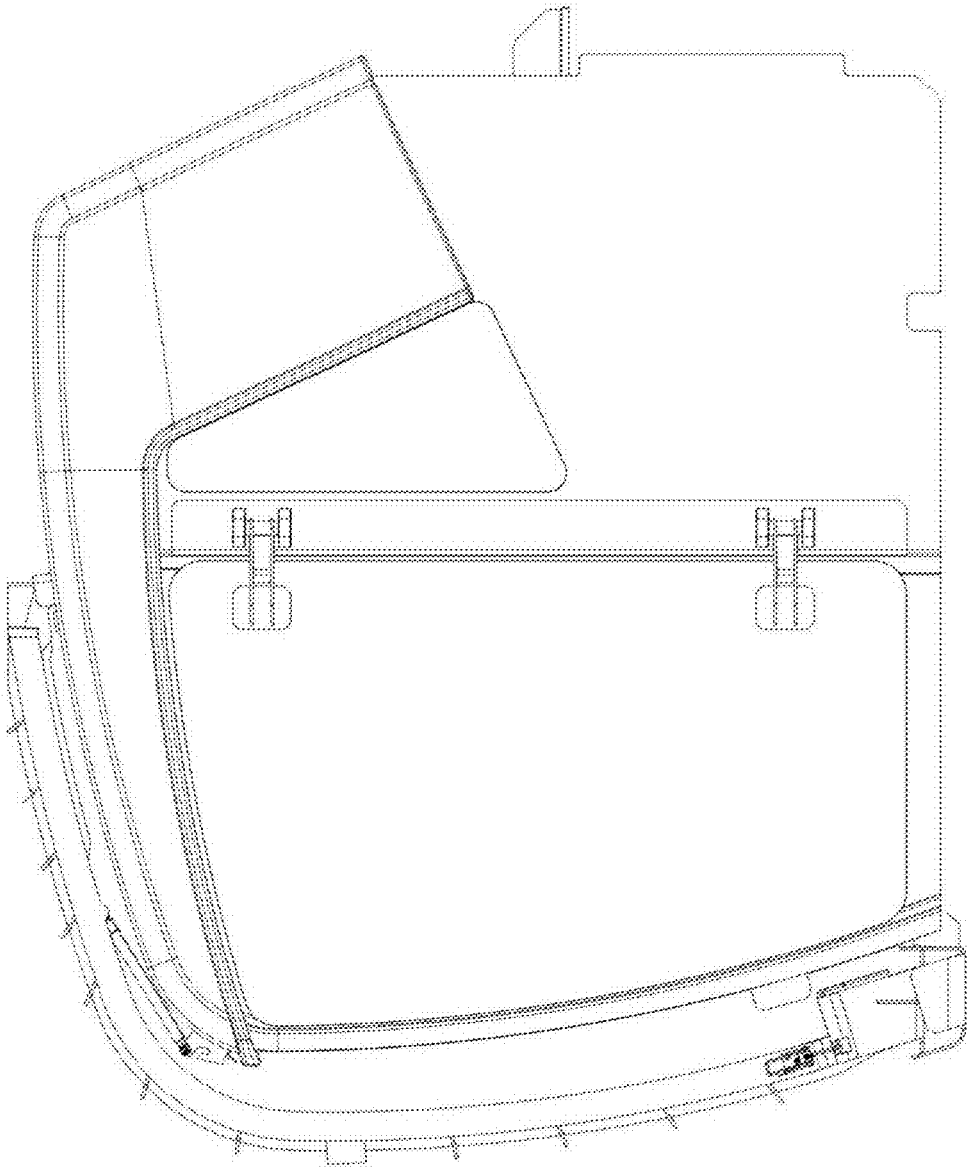


Fig. 3

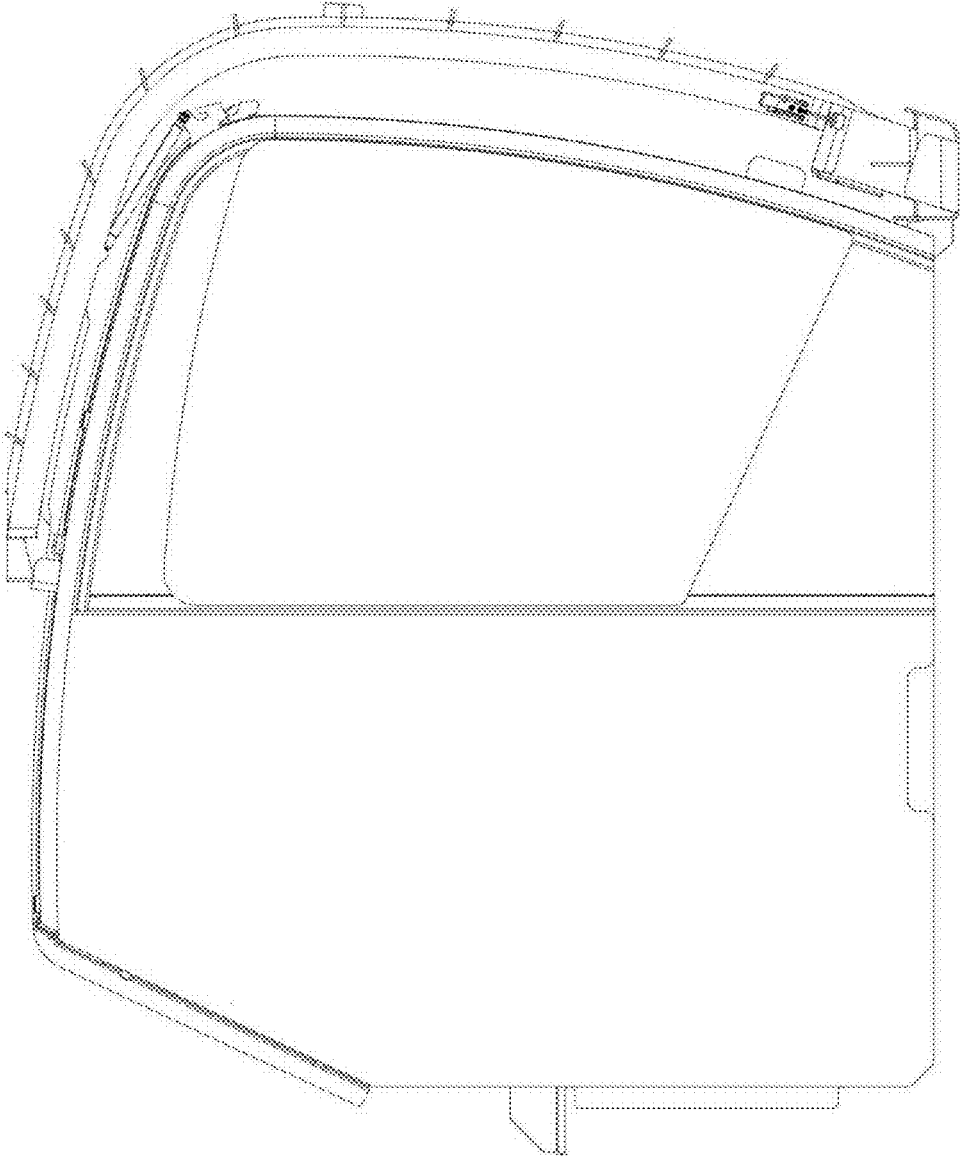


Fig.4

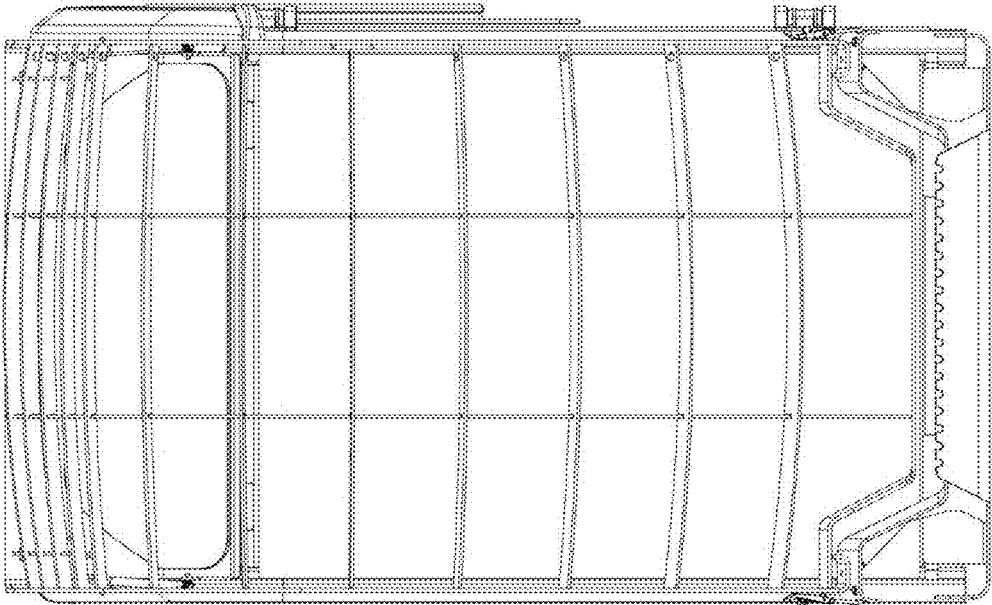


Fig. 5

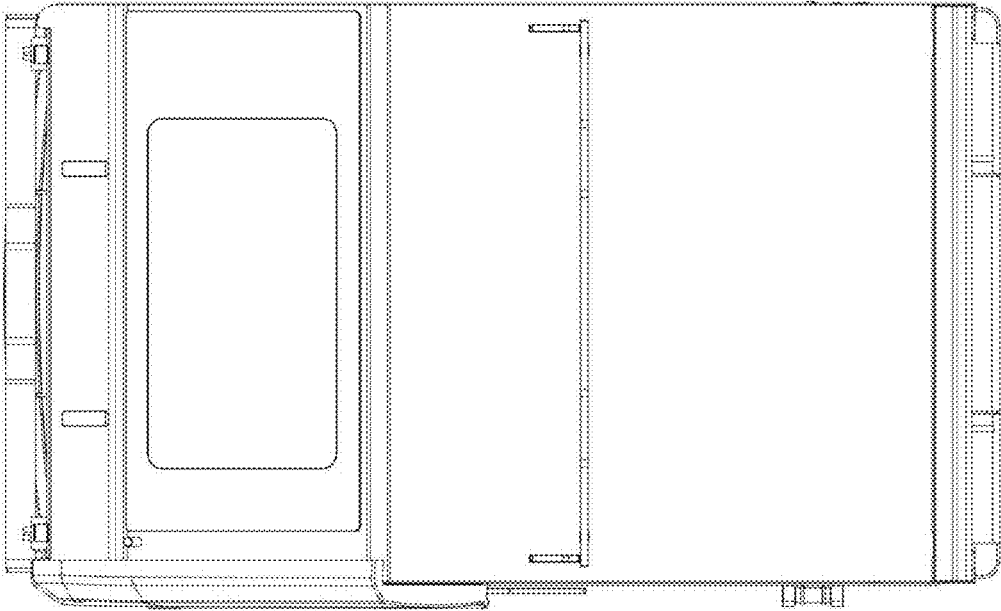


Fig. 6

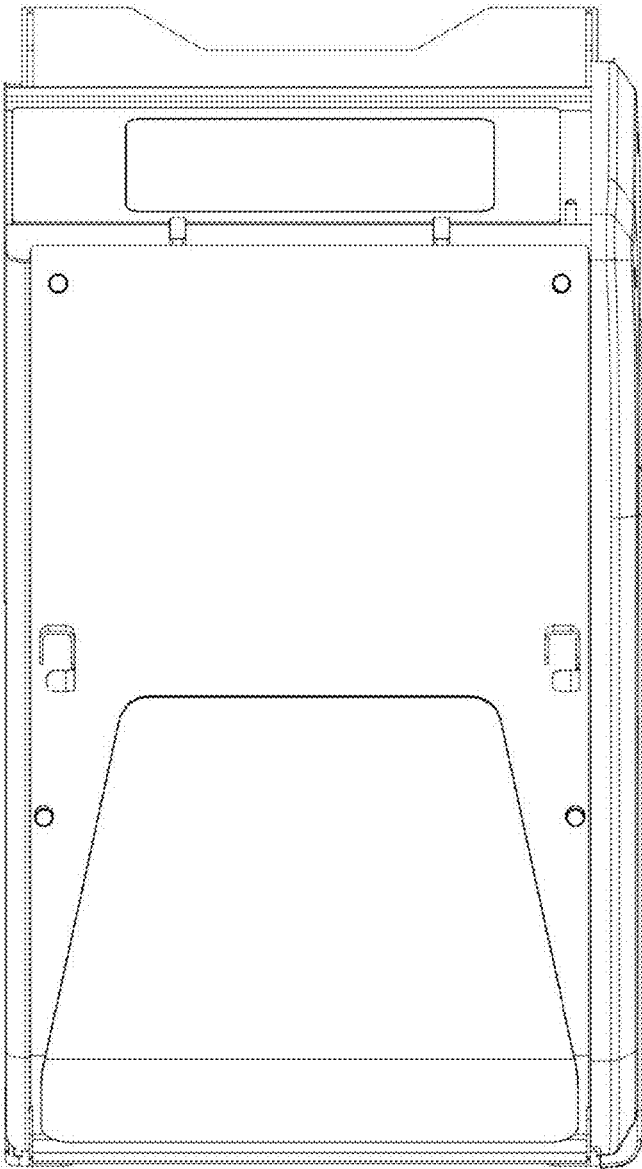


Fig. 7