



- (51) **International Patent Classification:**  
H04N 5/58 (2006.01) G09G 5/00 (2006.01)  
H04N 5/445 (2006.01)
- (21) **International Application Number:**  
PCT/KR2007/005552
- (22) **International Filing Date:**  
5 November 2007 (05.11.2007)
- (25) **Filing Language:** English
- (26) **Publication Language:** English
- (30) **Priority Data:**  
10-2007-0074953 26 July 2007 (26.07.2007) KR
- (71) **Applicant (for all designated States except US):** LG ELECTRONICS INC. [KR/KR]; 20, Yoido-dong, Youngdungpo-gu, Seoul, 150-721 (KR).
- (72) **Inventor; and**
- (75) **Inventor/Applicant (for US only):** KIM, Ju Seon [KR/KR]; A-703, LG Electronics Domitory, 150-27(4/5), Sinpyeong-dong, Gumi-si, Gyeongsangbuk-do, 730-070 (KR).
- (74) **Agents:** KIM, Yong In et al.; KBK & Associates, 7th Floor, Hyundai Building, 175-9 Jamsil-dong, Songpa-ku, Seoul 138-861 (KR).
- (81) **Designated States (unless otherwise indicated, for every kind of national protection available):** AE, AG, AL, AM,

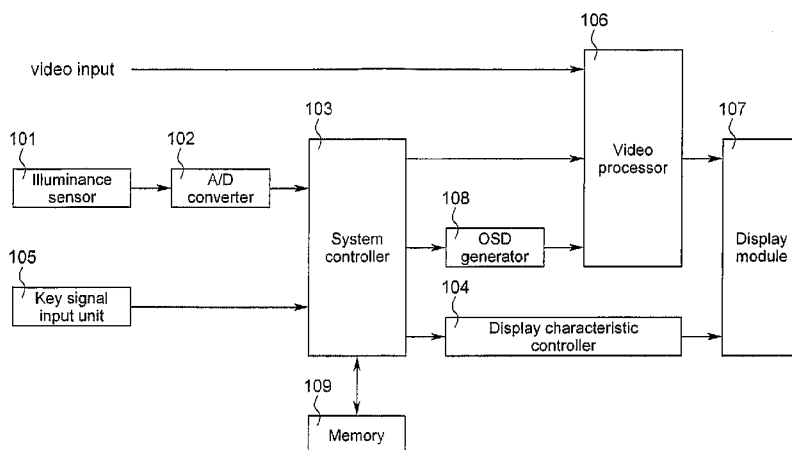
AT, AU, AZ, BA, BB, BG, BH, BR, BW, BY, BZ, CA, CH, CN, CO, CR, CU, CZ, DE, DK, DM, DO, DZ, EC, EE, EG, ES, FI, GB, GD, GE, GH, GM, GT, HN, HR, HU, ID, IL, IN, IS, JP, KE, KG, KM, KN, KP, KZ, LA, LC, LK, LR, LS, LT, LU, LY, MA, MD, ME, MG, MK, MN, MW, MX, MY, MZ, NA, NG, NI, NO, NZ, OM, PG, PH, PL, PT, RO, RS, RU, SC, SD, SE, SG, SK, SL, SM, SV, SY, TJ, TM, TN, TR, TT, TZ, UA, UG, US, UZ, VC, VN, ZA, ZM, ZW.

- (84) **Designated States (unless otherwise indicated, for every kind of regional protection available):** ARIPO (BW, GH, GM, KE, LS, MW, MZ, NA, SD, SL, SZ, TZ, UG, ZM, ZW), Eurasian (AM, AZ, BY, KG, KZ, MD, RU, TJ, TM), European (AT, BE, BG, CH, CY, CZ, DE, DK, EE, ES, FI, FR, GB, GR, HU, IE, IS, IT, LT, LU, LV, MC, MT, NL, PL, PT, RO, SE, SI, SK, TR), OAPI (BF, BJ, CF, CG, CI, CM, GA, GN, GQ, GW, ML, MR, NE, SN, TD, TG).

- Published:**
  - with international search report (Art. 21(3))
  - before the expiration of the time limit for amending the claims and to be republished in the event of receipt of amendments (Rule 48.2(h))
- (88) **Date of publication of the international search report:**  
1 October 2009

(54) **Title:** METHOD OF CONTROLLING DISPLAY CHARACTERISTIC AND DISPLAY APPARATUS USING THE SAME

FIG. 1



(57) **Abstract:** The method of controlling display characteristic provides an on-screen display (OSD) of display characteristics values automatically controlled according to ambient illuminance levels, to enable user recognition and confirmation of current values. The display apparatus adopting the method includes a display module (107) for displaying a video signal; an illuminance sensor (101) for detecting a level of ambient illuminance; a system controller (103) for adjusting, based on the detected ambient illuminance, at least one display characteristic of the display module (107) and for generating a set of control values corresponding to the adjusted at least one display characteristic; a display characteristic controller (104) for controlling the display module (107) using the adjusted at least one display characteristic; and an OSD generator (108) for generating OSD data for display on a display screen together with the video signal, the displayed OSD data corresponding to the display characteristic control values of the adjusted at least one display characteristic.



## INTERNATIONAL SEARCH REPORT

International application No.  
PCT/KR 2007/005552

| A. CLASSIFICATION OF SUBJECT MATTER<br>IPC <sup>8</sup> : <b>H04N 5/58</b> (2006.01); <b>H04N 5/445</b> (2006.01); <b>G09G 5/00</b> (2006.01)<br>According to International Patent Classification (IPC) or to both national classification and IPC   |  |   |
|--|--|---|
| B. FIELDS SEARCHED   |  |   |
| Minimum documentation searched (classification system followed by classification symbols)<br>IPC <sup>8</sup> : H04N; G09G   |  |   |
| Documentation searched other than minimum documentation to the extent that such documents are included in the fields searched  |  |   |
| Electronic data base consulted during the international search (name of data base and, where practicable, search terms used)<br>EPODOC; esp@cenet; IEEE Xplore; Google   |  |   |
| C. DOCUMENTS CONSIDERED TO BE RELEVANT   |  |   |
| Category*  | Citation of document, with indication, where appropriate, of the relevant passages   | Relevant to claim No.   |
| Y  | US 6,094,185 A (Shirriff) 25. 07. 2000<br><i>abstract; figures 1-4; column 1/line 61- column 2/line 24, column 2/line 49- column 5/line 67; claims 1, 14</i> | 1, 2, 4-11, 15,<br>16, 18-25  |
| A  | --   | 3, 12-14, 17, 26-<br>28   |
| Y  | US 2007/0118808 A1 (Chen et al.) 24. 05. 2007<br><i>abstract; figures 2B, 3; paragraphs [0007], [0008], [0015]-[0019]; claims 1, 5</i>                       | 1, 2, 4-11, 15,<br>16, 18-25  |
|  | --   |   |
| <input checked="" type="checkbox"/> Further documents are listed in the continuation of Box C. <input checked="" type="checkbox"/> See patent family annex.  |  |   |
| * Special categories of cited documents:<br>"A" document defining the general state of the art which is not considered to be of particular relevance<br>"E" earlier application or patent but published on or after the international filing date<br>"L" document which may throw doubts on priority claim(s) or which is cited to establish the publication date of another citation or other special reason (as specified)<br>"O" document referring to an oral disclosure, use, exhibition or other means<br>"P" document published prior to the international filing date but later than the priority date claimed<br>"T" later document published after the international filing date or priority date and not in conflict with the application but cited to understand the principle or theory underlying the invention<br>"X" document of particular relevance; the claimed invention cannot be considered novel or cannot be considered to involve an inventive step when the document is taken alone<br>"Y" document of particular relevance; the claimed invention cannot be considered to involve an inventive step when the document is combined with one or more other such documents, such combination being obvious to a person skilled in the art<br>"&" document member of the same patent family |  |   |
| Date of the actual completion of the international search<br>30 April 2009 (30.04.2009)  |  | Date of mailing of the international search report<br>21 July 2009 (21.07.2009) |
| Name and mailing address of the ISA/ AT<br><b>Austrian Patent Office</b><br>Dresdner Straße 87, A-1200 Vienna<br>Facsimile No. +43 / 1 / 534 24 / 535  |  | Authorized officer<br>Goitein M.<br>Telephone No. +36 1 474 5862                |

## INTERNATIONAL SEARCH REPORT

International application No.  
PCT/KR 2007/005552

| C (Continuation). DOCUMENTS CONSIDERED TO BE RELEVANT |   |                              |
|---|---|------------------------------|
| Category*   | Citation of document, with indication, where appropriate, of the relevant passages  | Relevant to claim No.        |
| Y   | US 6,870,529 B1 (Davis) 22. 03. 2005<br><i>abstract; figures 2-4; column 2/line 15- column 3/line 49; claims 1, 9, 16, 21, 22</i> | 1, 2, 4-11, 15,<br>16, 18-25 |
| A   | ----  | 3, 12-14, 17, 26-<br>28      |

# INTERNATIONAL SEARCH REPORT

Information on patent family members

International application No.

PCT/KR2007/005552

| Patent document cited<br>in search report | Publication<br>date | Patent family<br>member(s)       | Publication<br>date      |
|---|---------------------|----------------------------------|--------------------------|
| US A 6094185                              |                     | US A 6094185                     | 2000-07-25               |
| US A 2007118808                           |                     | TW B 271677B<br>US A1 2007118808 | 2007-01-21<br>2007-05-24 |
| US A 6870529                              |                     | US B1 6870529                    | 2005-03-22               |