



US0D1028546S

(12) **United States Design Patent**  
**Jia**

(10) **Patent No.:** **US D1,028,546 S**

(45) **Date of Patent:** **\*\* May 28, 2024**

(54) **BICYCLE SADDLE**

D990,180 S 6/2023 Getter et al.  
D999,541 S \* 9/2023 Lu ..... D6/354  
D1,014,112 S \* 2/2024 Li ..... D6/354

(71) Applicant: **Guangzhou Science Forest Information Technology Co., Ltd.,**  
Guangzhou (CN)

**FOREIGN PATENT DOCUMENTS**

(72) Inventor: **Zhuo Jia,** Guangzhou (CN)

GB 6157923 \* 8/2021

(73) Assignee: **Guangzhou Science Forest Information Technology Co., Ltd.**

**OTHER PUBLICATIONS**

(\*\*) Term: **15 Years**

Dreamdate: Wide Bike Seat Cushion for Peloton Bike & Bike Plus, Wide Saddle Replacement for Peloton Bike, Road or Exercise Bikes, Bicycle, Upgraded Oversized Bike Seat for Women & Men <https://a.co/d/ghx6LQg>, Apr. 6, 2023 (Year: 2023).\*  
TrubliFit: Replacement Extra Wide Bike Seat for Peloton Bike & Bike+, Oversized Bike Seat Cushion, Bike Saddle Replacement for Women & Men, Accessory for Peloton <https://a.co/d/eeOImpC>, May 24, 2023 (Year: 2023).\*

(21) Appl. No.: **29/929,275**

(22) Filed: **Feb. 21, 2024**

(51) **LOC (14) Cl.** ..... **06-01**

(52) **U.S. Cl.**  
USPC ..... **D6/354**

(58) **Field of Classification Search**  
USPC ..... D6/340, 354, 611; D12/110, 111  
CPC ..... B62J 1/00; B62J 1/002  
See application file for complete search history.

\* cited by examiner

*Primary Examiner* — Bao-Yen T Nguyen  
*Assistant Examiner* — Bethany Louise Mallino  
(74) *Attorney, Agent, or Firm* — Jose Cherson Weissbrot

(56) **References Cited**

(57) **CLAIM**

The ornamental design for a bicycle saddle, as shown and described.

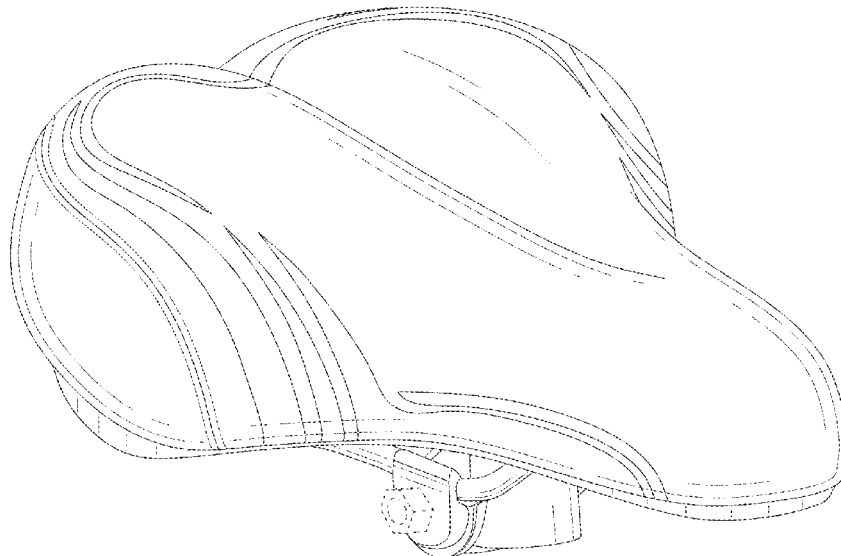
**U.S. PATENT DOCUMENTS**

**DESCRIPTION**

D433,827 S *	11/2000	Kuipers	.....	D6/354
D454,259 S *	3/2002	Yates	.....	D6/354
D728,952 S *	5/2015	Yu	.....	D6/354
D778,079 S	2/2017	Porter et al.		
D802,949 S	11/2017	Toll		
D804,204 S	12/2017	Bigolin et al.		
D833,842 S *	11/2018	Murphy	.....	D8/38
D846,900 S *	4/2019	Toll	.....	D6/354
D880,880 S	4/2020	Toll		
D885,071 S *	5/2020	Zheng	.....	B62J 1/00 D6/354
D904,049 S	12/2020	Toll		
D930,375 S *	9/2021	Jiang	.....	D6/354
D944,023 S *	2/2022	Bigolin	.....	D6/354
D974,783 S *	1/2023	Jiang	.....	D6/354
D979,962 S *	3/2023	Lam	.....	D6/354

FIG. 1 is a top perspective view of a bicycle saddle showing my new design;  
FIG. 2 is a front view thereof;  
FIG. 3 is a rear view thereof;  
FIG. 4 is a left side view thereof;  
FIG. 5 is a right side view thereof;  
FIG. 6 is a top plan view thereof; and,  
FIG. 7 is a bottom plan view thereof.  
The short dash broken lines represent stitching and are part of the claimed design. The long dash lines illustrate portions of the bike saddle that form no part of the claimed design.

**1 Claim, 7 Drawing Sheets**



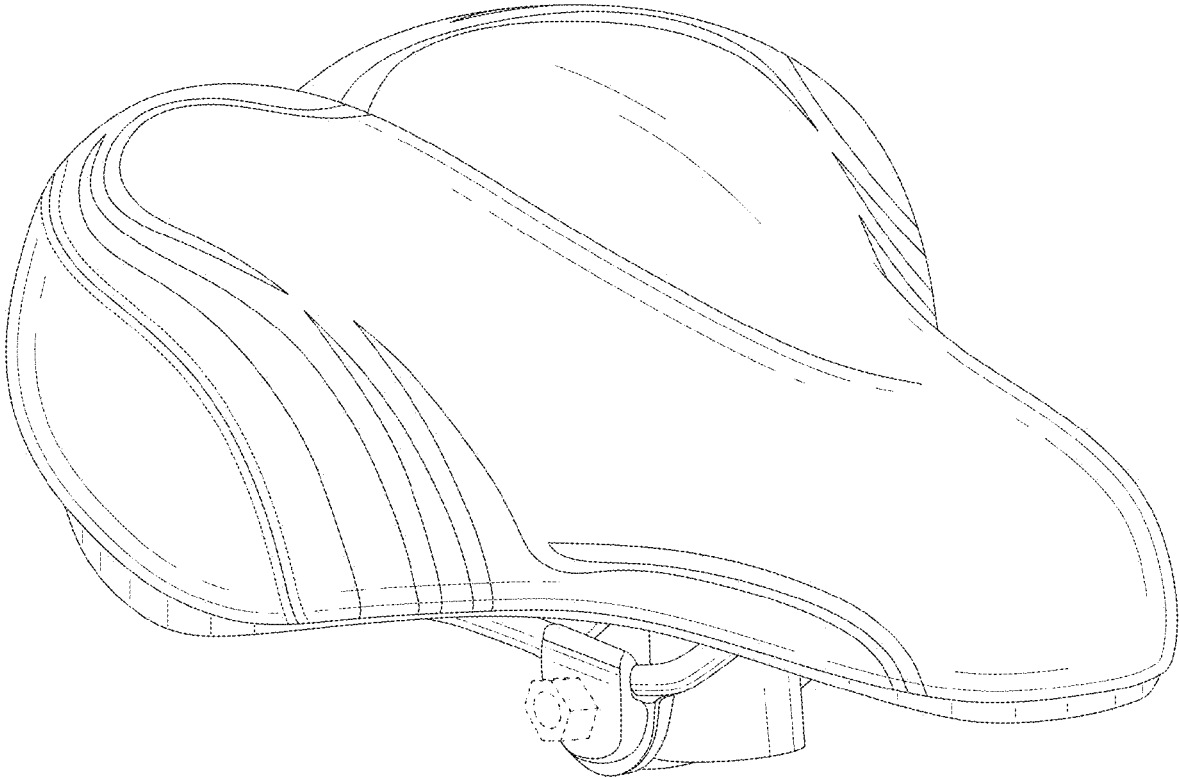


FIG. 1

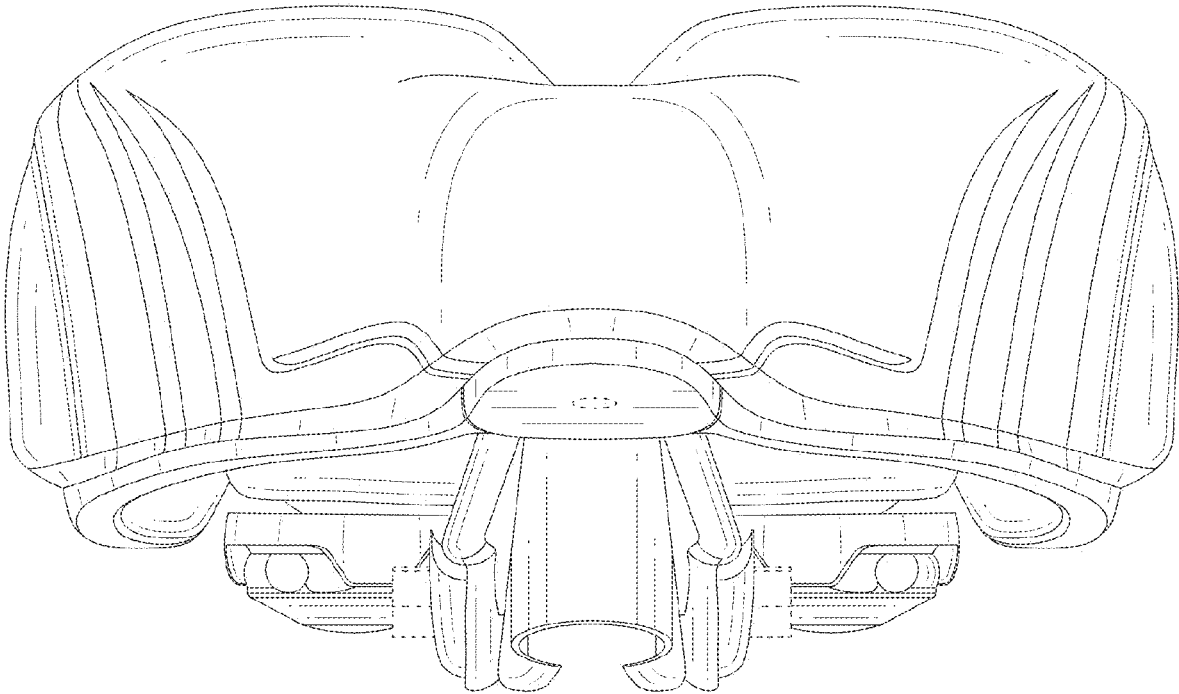


FIG. 2

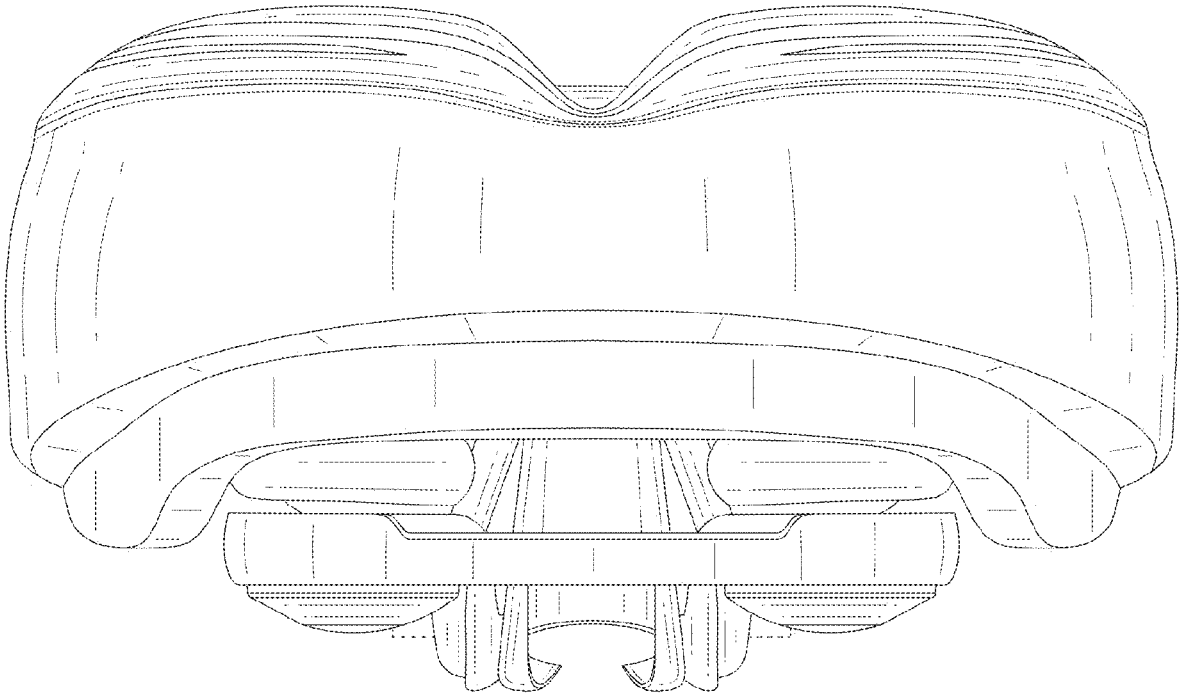


FIG. 3

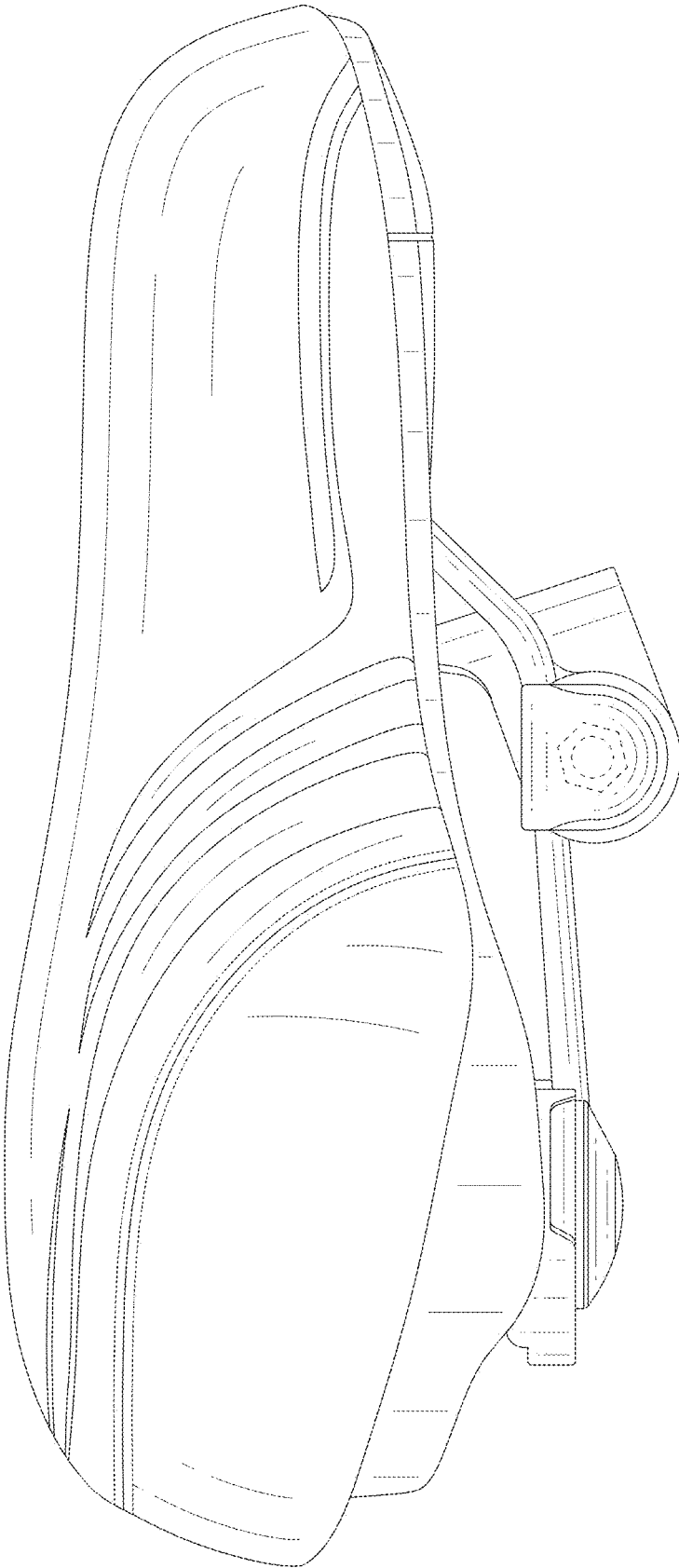


FIG. 4

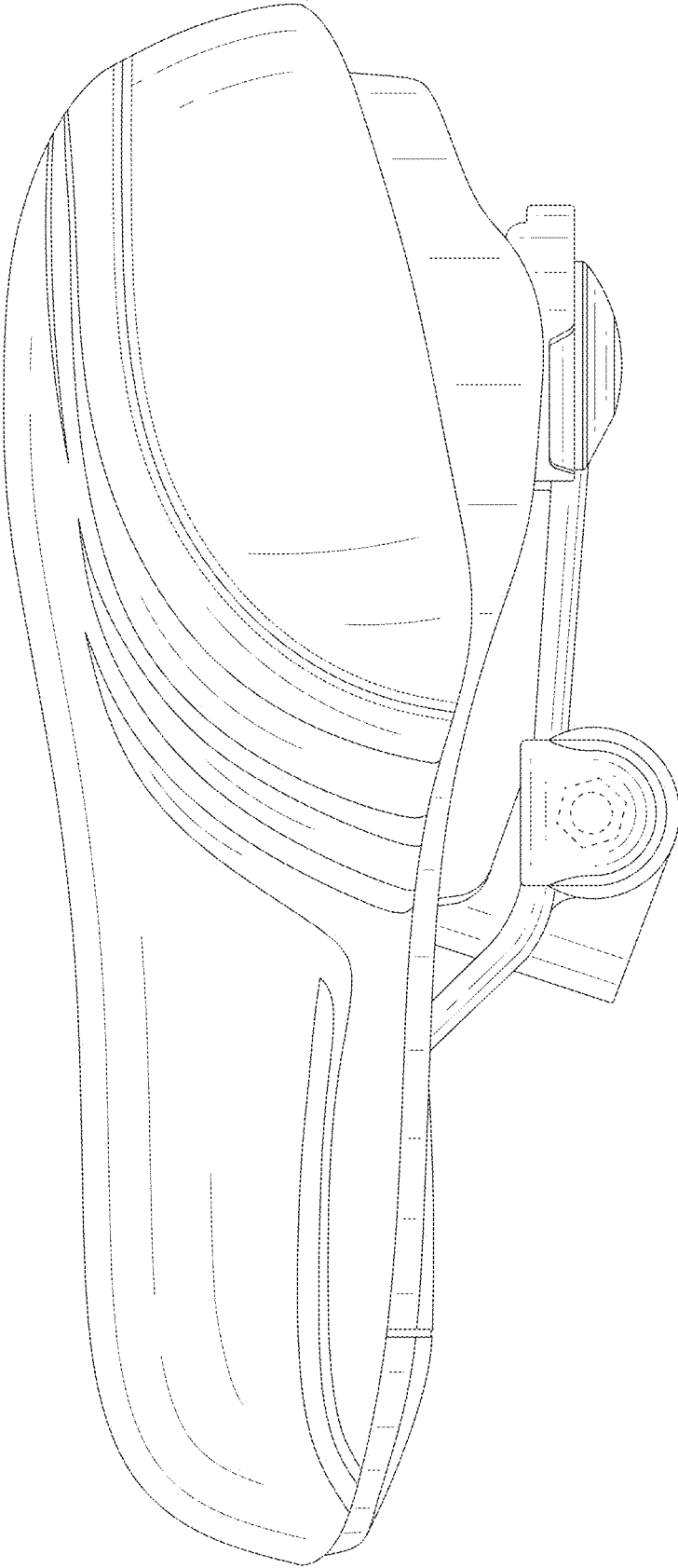


FIG. 5

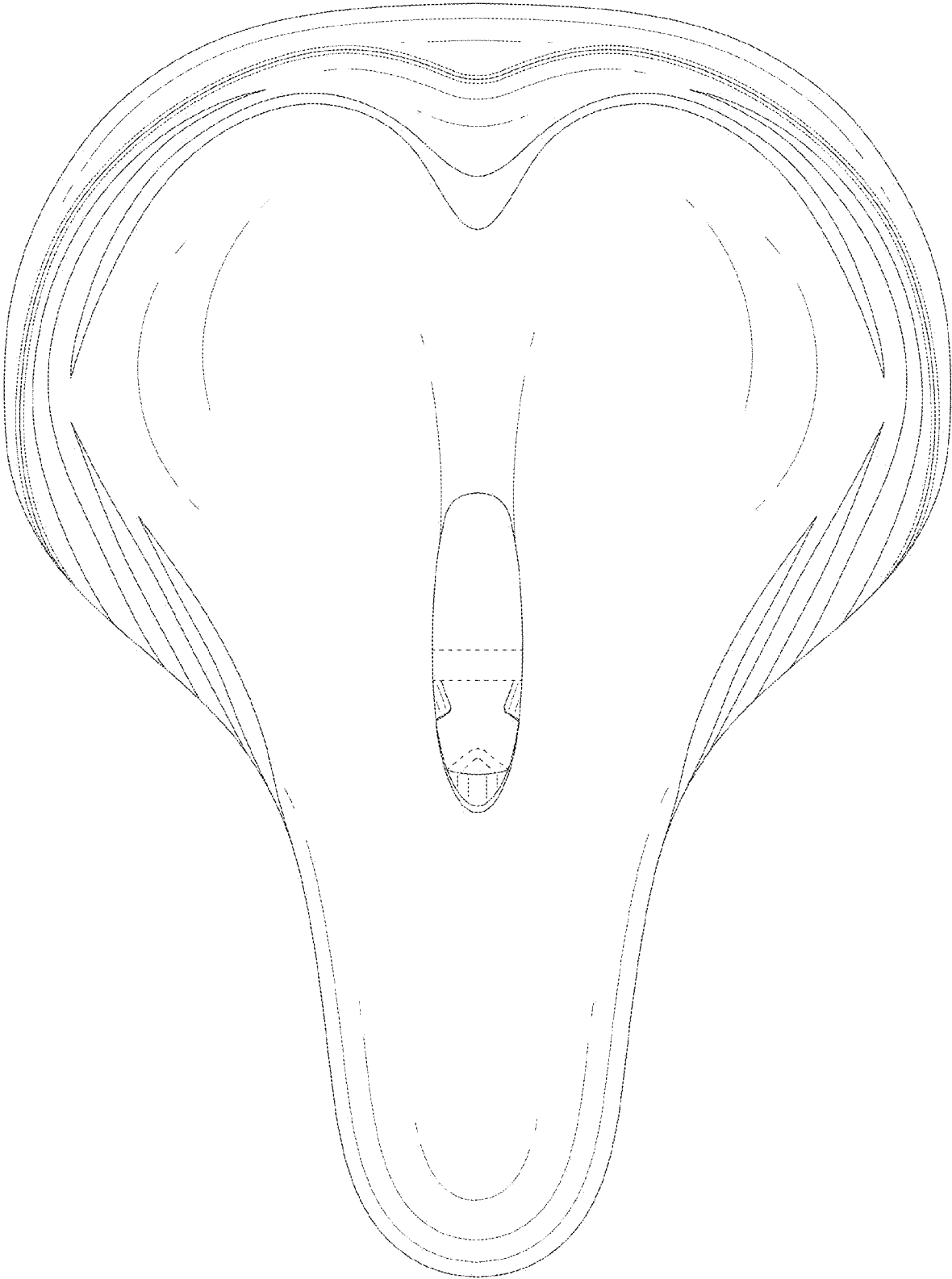


FIG. 6

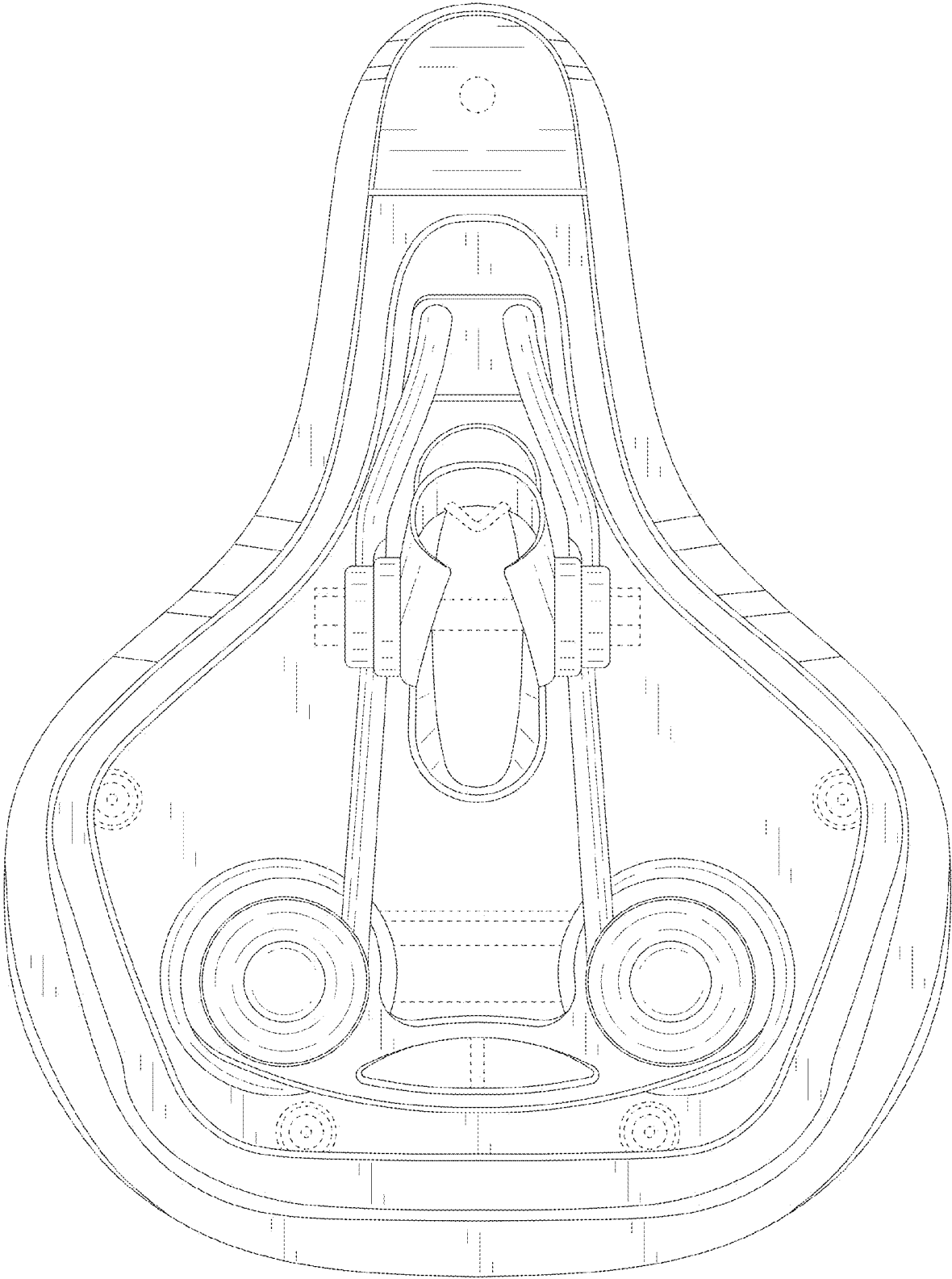


FIG. 7