



US0D1065013S

(12) **United States Design Patent**
Ni et al.

(10) **Patent No.:** **US D1,065,013 S**

(45) **Date of Patent:** **** Mar. 4, 2025**

- (54) **BICYCLE RACK**
- (71) Applicant: **FORCOME (ZHEJIANG) CO., LTD.**,
Jinhua (CN)
- (72) Inventors: **Xiaojun Ni**, Jinhua (CN); **Chengsheng Fang**, Jinhua (CN); **Weixiang Tong**,
Jinhua (CN)
- (73) Assignee: **FORCOME (ZHEJIANG) CO., LTD.**,
Zhejiang (CN)
- (**) Term: **15 Years**
- (21) Appl. No.: **29/973,721**
- (22) Filed: **Nov. 18, 2024**
- (51) **LOC (15) Cl.** **12-16**
- (52) **U.S. Cl.**
USPC **D12/406**
- (58) **Field of Classification Search**
USPC D12/406-414; D32/35, 58; D6/317-319,
D6/513-514
CPC B62J 9/003; B62J 7/06; B62J 9/001
See application file for complete search history.

- D955,969 S * 6/2022 Huang D12/407
- D964,254 S * 9/2022 Huang D12/407
- D975,620 S * 1/2023 Wang D12/406
- D976,802 S 1/2023 Hsu
- D995,402 S * 8/2023 Sagen D12/407
- D1,001,055 S * 10/2023 Helmersson D12/408
- D1,045,754 S 10/2024 Huo
- D1,051,018 S * 11/2024 Huo D12/406
- 2017/0349111 A1 12/2017 Ramsdell et al.
- 2018/0001830 A1 1/2018 Olaison et al.
- 2018/0072237 A1 3/2018 Kuschmeader et al.
- 2022/0315142 A1* 10/2022 Huang B60R 9/06
- 2023/0174179 A1 6/2023 Huang
- 2023/0202403 A1* 6/2023 Wang B60R 9/06
224/549
- 2023/0242045 A1* 8/2023 Weng B60R 9/10
224/533
- 2023/0271659 A1* 8/2023 Wang B62H 3/02
211/17
- 2023/0356664 A1* 11/2023 Huang B60R 9/06

* cited by examiner

Primary Examiner — Katrina A Betton
(74) *Attorney, Agent, or Firm* — SZDC Law PC

(57) **CLAIM**

The ornamental design for a bicycle rack as shown and described.

(56) **References Cited**

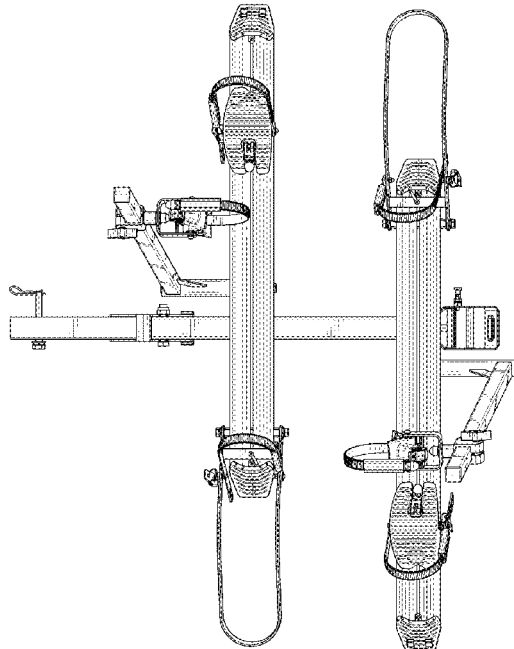
U.S. PATENT DOCUMENTS

- D727,831 S 4/2015 Eriksson et al.
- D788,019 S 5/2017 Kuschmeader et al.
- D790,434 S 6/2017 Adler
- D813,784 S 3/2018 Larsson et al.
- D817,256 S 5/2018 Adler et al.
- 10,183,627 B1 1/2019 Liu
- D877,685 S 3/2020 Larsson et al.
- D946,490 S * 3/2022 Li D12/408
- D947,752 S 4/2022 Yu
- D952,539 S * 5/2022 Shen D12/407

DESCRIPTION

FIG. 1 is a front perspective view of a bicycle rack;
FIG. 2 is a front view thereof;
FIG. 3 is a back view thereof;
FIG. 4 is a right view thereof;
FIG. 5 is a left view thereof;
FIG. 6 is a top view thereof; and,
FIG. 7 is a bottom view thereof.

1 Claim, 7 Drawing Sheets



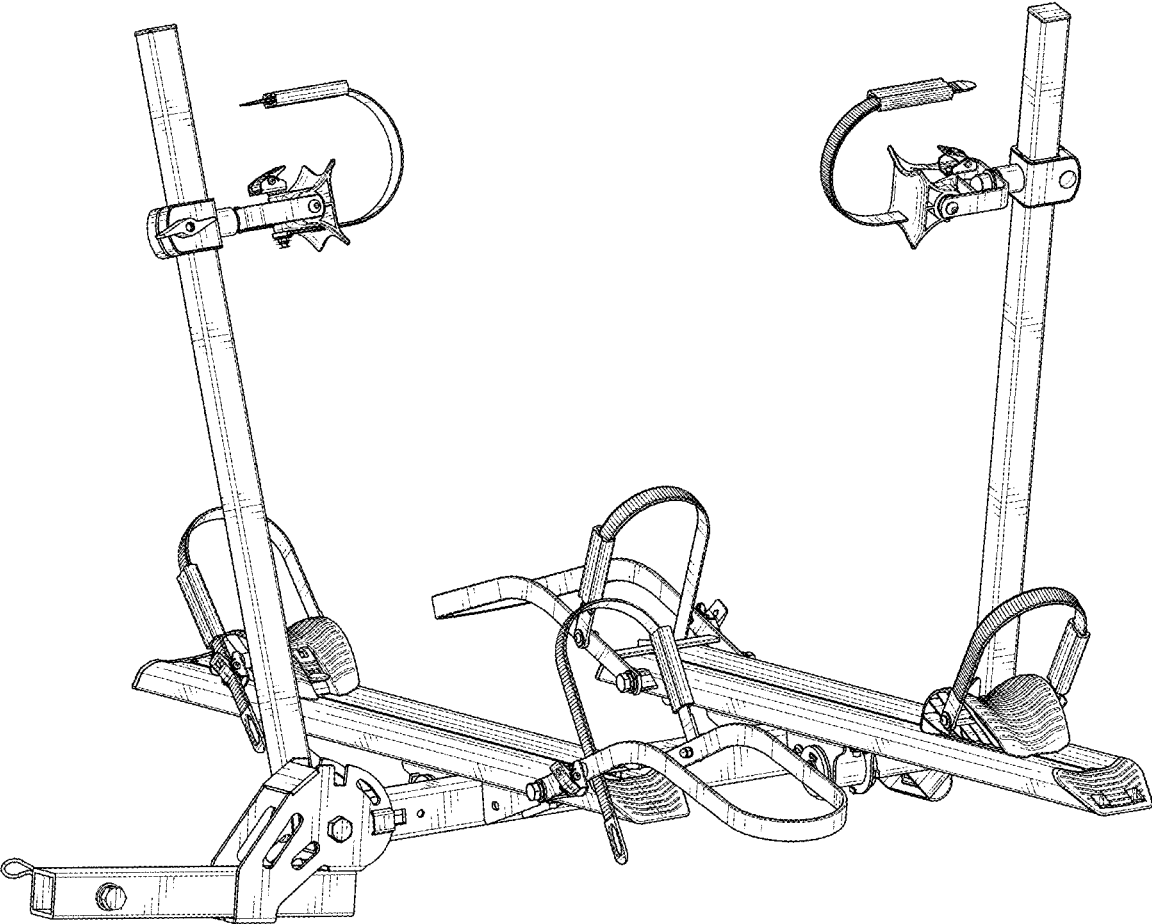


FIG. 1

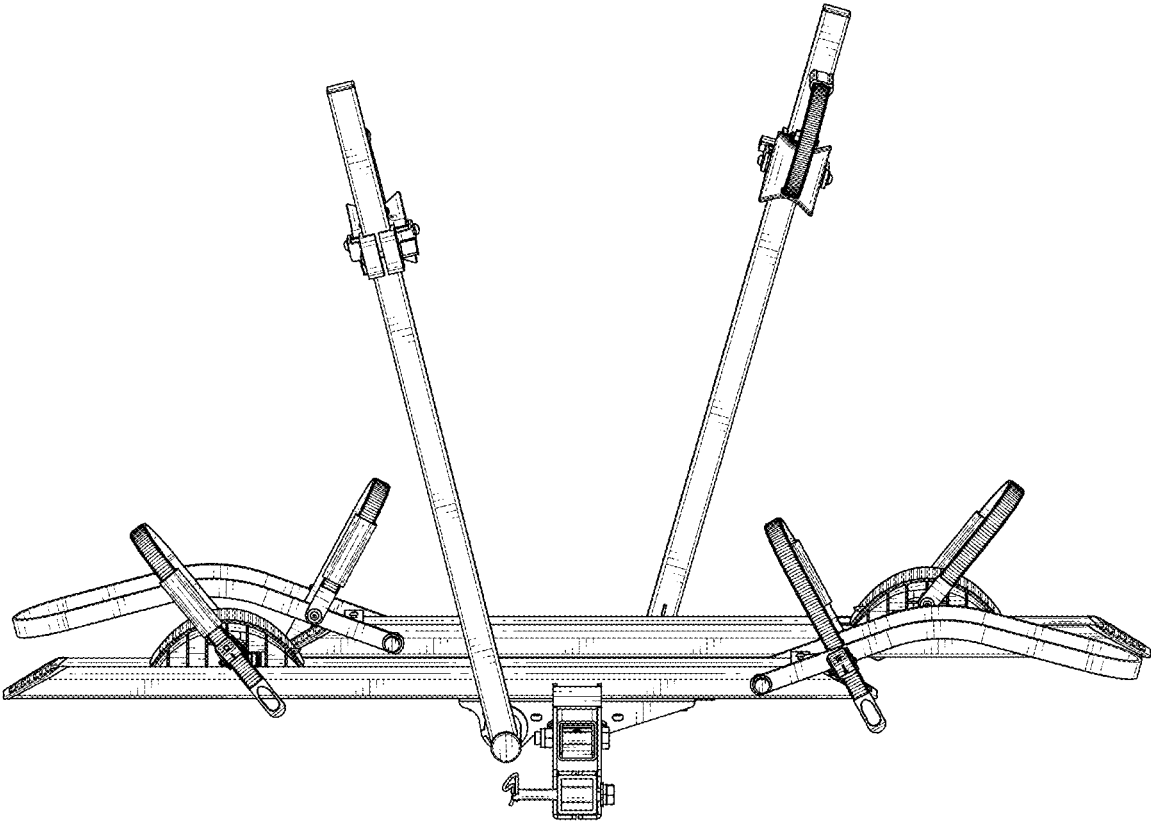


FIG. 2

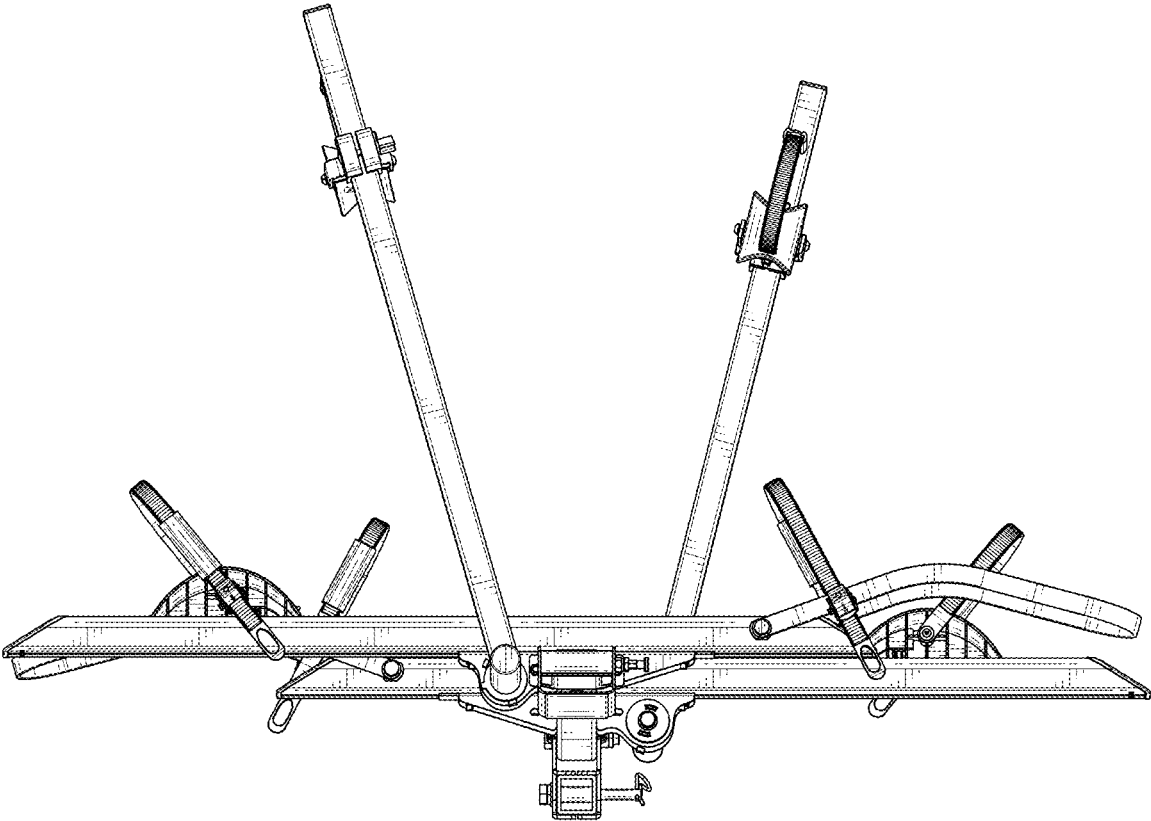


FIG. 3

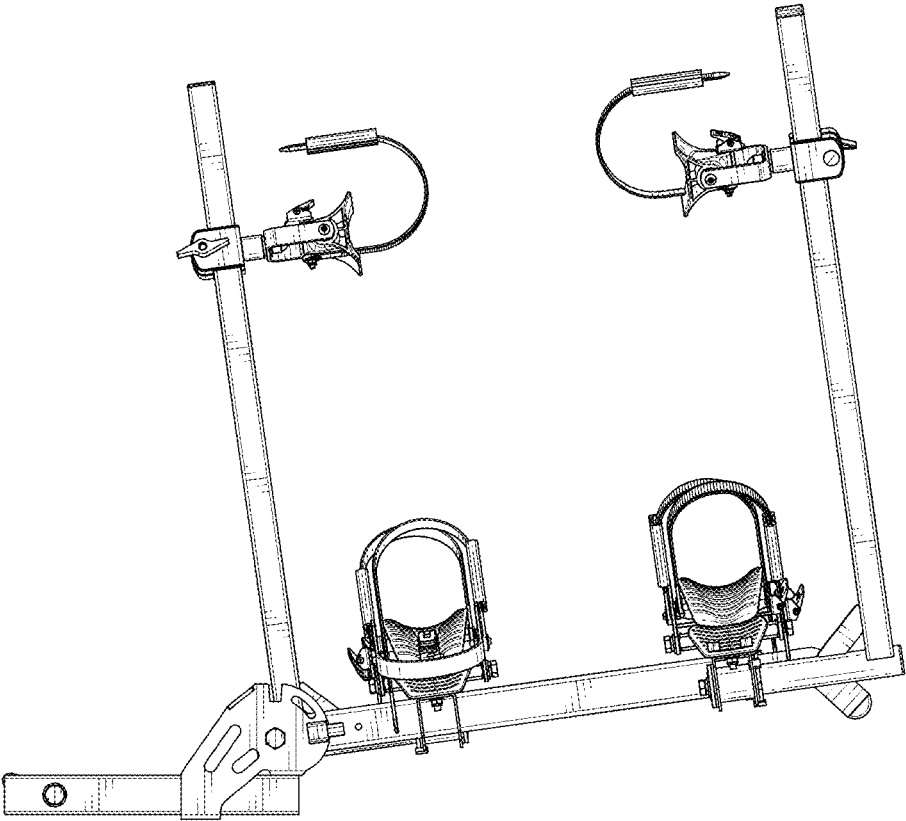


FIG. 4



FIG. 5

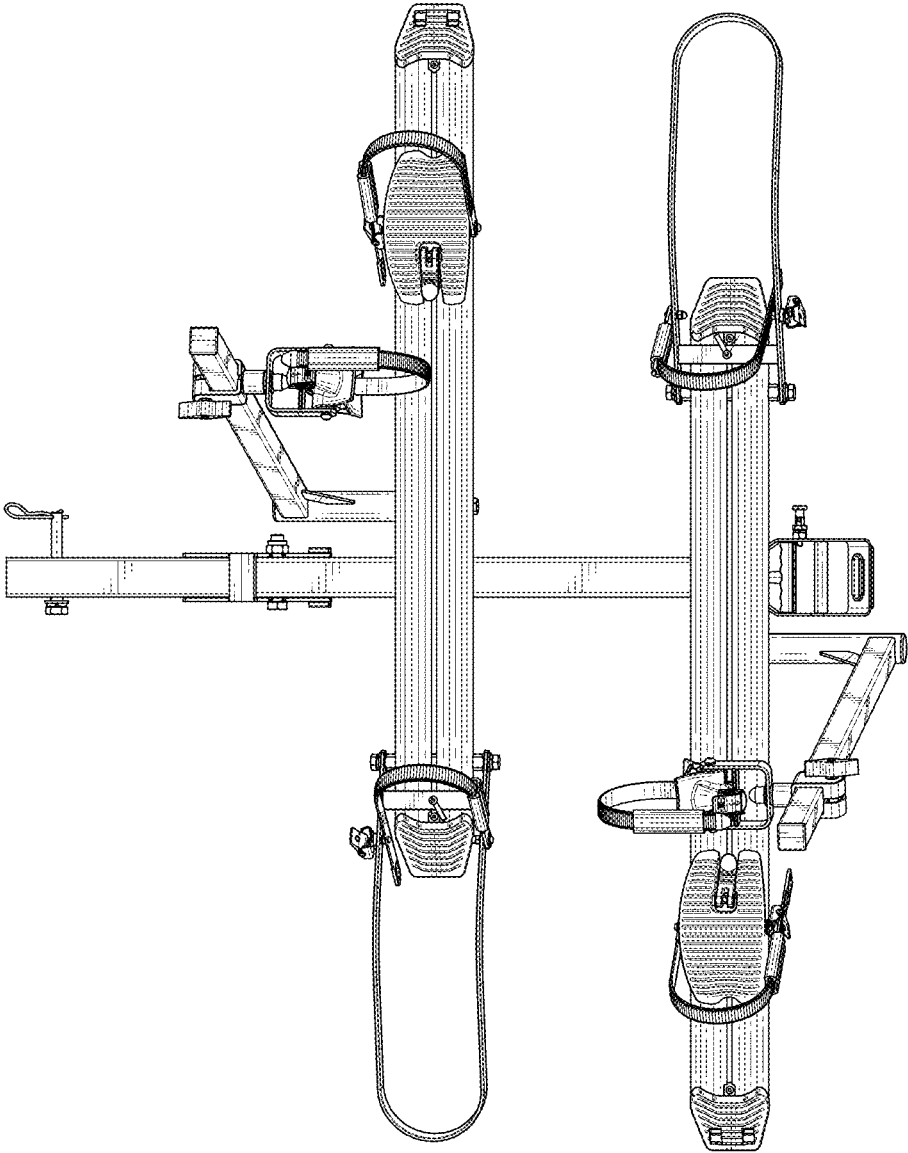


FIG. 6

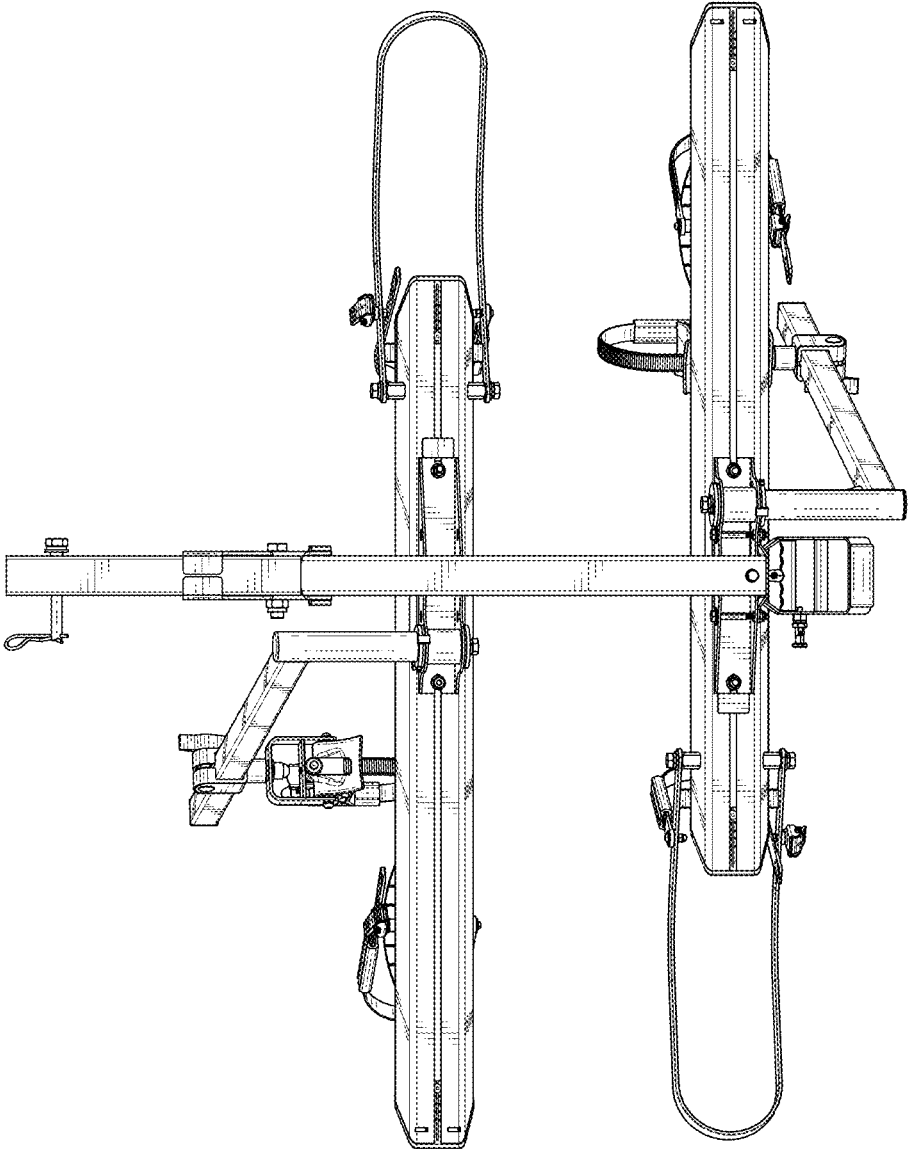


FIG. 7