



US00D704156S

(12) **United States Design Patent**  
**Lee et al.**

(10) **Patent No.:** **US D704,156 S**

(45) **Date of Patent:** **\*\* May 6, 2014**

(54) **MONITOR**

(71) Applicant: **Samsung Electronics Co., Ltd.**,  
Suwon-Si (KR)  
(72) Inventors: **Min-Hee Lee**, Osan (KR); **Koung-Won Park**, Seoul (KR); **Tae-Yeon Won**, Seoul (KR); **Yun-Je Kang**, Yongin (KR); **Kyoung-Hoon Kim**, Seongnam (KR)

(73) Assignee: **Samsung Electronics Co., Ltd.**,  
Suwon-Si (KR)

(\*\*) Term: **14 Years**

(21) Appl. No.: **29/452,297**

(22) Filed: **Apr. 15, 2013**

**Related U.S. Application Data**

(63) Continuation-in-part of application No. 29/422,777, filed on May 23, 2012, now Pat. No. Des. 682,797.

(51) **LOC (10) Cl.** ..... **14-03**

(52) **U.S. Cl.**  
USPC ..... **D14/126**

(58) **Field of Classification Search**

USPC ..... D14/125-134, 239, 371, 136, 374-377, D14/440, 450, 448, 336, 342, 159; 312/7.2; 348/836, 838, 180, 184, 325, 739; 341/12; 248/917-924, 465; 345/104, 345/133, 156, 168, 87, 173; 720/605, 669, 720/600, 655; 369/99, 197; D21/329, 515, D21/577, 622, 333, 433, 448, 452, 450, 331, D21/505; D6/477, 479, 300; 273/148 B; 446/484, 175, 356; D10/15, 26

See application file for complete search history.

(56) **References Cited**

U.S. PATENT DOCUMENTS

4,834,329 A \* 5/1989 Delapp ..... 248/183.3  
5,668,570 A \* 9/1997 Ditzik ..... 345/173  
D439,224 S 3/2001 Kita  
D453,022 S \* 1/2002 Oba ..... D14/374

(Continued)

FOREIGN PATENT DOCUMENTS

KR 3001890590000 11/1996  
KR 3001890600000 11/1996

(Continued)

OTHER PUBLICATIONS

U.S. Appl. No. 29/419,038, Applicant: Lee, et al., filed Apr. 24, 2012, entitled Monitor.

(Continued)

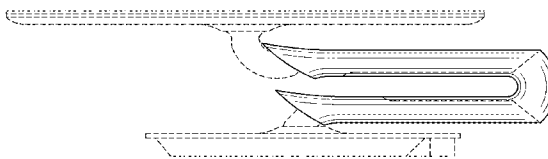
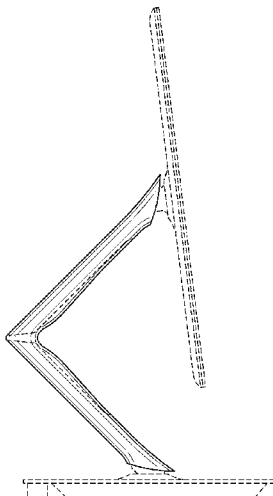
*Primary Examiner* — Raphael Barkai  
(74) *Attorney, Agent, or Firm* — Wood, Herron & Evans, LLP

(57) **CLAIM**  
The ornamental design for a monitor, as shown and described.

**DESCRIPTION**

FIG. 1 is a top front perspective view of a monitor showing our new design;  
FIG. 2 is a front elevational view thereof;  
FIG. 3 is a rear elevational view thereof;  
FIG. 4 is a left side elevational view thereof;  
FIG. 5 is a right side elevational view thereof;  
FIG. 6 is a top plan view thereof;  
FIG. 7 is a bottom plan view thereof; and,  
FIG. 8 is a reference view thereof when the monitor is folded. The broken lines depict environmental subject matter only and form no part of the claimed design.

**1 Claim, 6 Drawing Sheets**



(56)

## References Cited

## U.S. PATENT DOCUMENTS

D471,893 S	3/2003	Jung		D558,696 S	1/2008	Park et al.
D472,897 S	4/2003	Park		D560,209 S	1/2008	Kim et al.
D486,486 S *	2/2004	Jobs et al.	..... D14/371	D560,211 S	1/2008	Kim et al.
D489,370 S *	5/2004	Jobs et al.	..... D14/371	D560,686 S	1/2008	Kim
D494,941 S	8/2004	Kim		D561,130 S	2/2008	Won et al.
D499,386 S	12/2004	Yang		D561,134 S	2/2008	Kim et al.
D512,424 S	12/2005	Kim		D561,135 S	2/2008	Won et al.
D520,975 S	5/2006	Kim et al.		D561,136 S	2/2008	Won et al.
D521,511 S	5/2006	Kim et al.		D561,141 S	2/2008	Cho et al.
D521,996 S	5/2006	Kim et al.		D561,142 S	2/2008	Oh
D521,997 S	5/2006	Park et al.		D561,161 S	2/2008	Cho
D524,313 S	7/2006	Boo et al.		D562,788 S	2/2008	Asanuma et al.
D527,003 S	8/2006	Kim et al.		7,336,478 B2	2/2008	Jang
D528,115 S	9/2006	Yoon		D564,472 S	3/2008	Won et al.
D528,116 S	9/2006	Won et al.		D565,521 S	4/2008	Yang et al.
D529,019 S	9/2006	Lim		D567,198 S	4/2008	Yang et al.
D529,910 S	10/2006	Ota		D567,199 S	4/2008	Kim et al.
D529,911 S	10/2006	Yamashiro et al.		D567,203 S	4/2008	Park
D532,764 S	11/2006	Kim et al.		D569,818 S	5/2008	Kim et al.
D533,848 S	12/2006	Lee et al.		D570,333 S	6/2008	Cho
D534,510 S	1/2007	Kang et al.		D570,828 S	6/2008	Cho
D534,883 S	1/2007	Kang et al.		D570,841 S	6/2008	Kim et al.
D535,267 S	1/2007	Kang et al.		D571,785 S	6/2008	Kim
D536,677 S	2/2007	Kim et al.		D571,786 S	6/2008	Cho
D537,072 S	2/2007	Kim et al.		D572,680 S	7/2008	Lee et al.
D537,079 S	2/2007	Park		D572,682 S	7/2008	Won et al.
D539,242 S	3/2007	Lee et al.		D573,118 S	7/2008	Yang et al.
D539,281 S	3/2007	Kim et al.		D573,559 S	7/2008	Kim et al.
D539,767 S	4/2007	Kang et al.		D573,584 S	7/2008	Kim
D540,277 S	4/2007	Kim et al.		D575,247 S	8/2008	Lee
D540,780 S	4/2007	Kim		D576,622 S	9/2008	Park
D541,236 S	4/2007	Kim et al.		D579,003 S	10/2008	Kim et al.
D541,763 S	5/2007	Kim		D579,889 S	11/2008	Noh
D541,766 S	5/2007	Kita		D579,915 S	11/2008	Yeo
D541,774 S	5/2007	Kita		D582,365 S	12/2008	Yang et al.
D541,775 S	5/2007	Kita		D582,366 S	12/2008	Yang et al.
D542,746 S	5/2007	Kim		D582,867 S	12/2008	Song et al.
D542,747 S	5/2007	Kim et al.		D583,801 S	12/2008	Son et al.
D542,748 S	5/2007	Kim et al.		D584,258 S	1/2009	Yang et al.
D542,749 S	5/2007	Kim et al.		D584,286 S	1/2009	Kim
D543,163 S	5/2007	Yang et al.		D584,288 S	1/2009	Kim
D543,164 S	5/2007	Yang et al.		D584,309 S	1/2009	Kim et al.
D544,849 S	6/2007	Yang et al.		D584,310 S	1/2009	Kim et al.
D545,300 S	6/2007	Hong et al.		D584,729 S	1/2009	Kim et al.
D545,312 S	6/2007	Kim		D586,781 S	2/2009	Kim
D545,313 S	6/2007	Kim		D586,782 S	2/2009	Kim
D545,314 S	6/2007	Kim		D586,785 S	2/2009	Kim
D545,315 S	6/2007	Kim		D586,811 S	2/2009	Kim et al.
D545,316 S	6/2007	Kim		D587,237 S	2/2009	Son et al.
D545,776 S	7/2007	Kwon		D587,712 S	3/2009	Park et al.
D545,778 S	7/2007	Isshiki		D588,103 S	3/2009	Lee et al.
D545,820 S	7/2007	Won et al.		D588,104 S	3/2009	Lee et al.
D546,331 S	7/2007	Kim		D588,117 S	3/2009	Arai
D547,276 S	7/2007	Yang et al.		D588,576 S	3/2009	Son et al.
D547,313 S	7/2007	Kim		D591,269 S	4/2009	Kim et al.
D548,205 S	8/2007	Kim et al.		D592,179 S	5/2009	Ichinose et al.
D548,206 S	8/2007	Han		D592,621 S	5/2009	Han
D548,222 S	8/2007	Kim		D593,068 S	5/2009	Kim et al.
D548,708 S	8/2007	Park et al.		D593,069 S	5/2009	Son et al.
D551,186 S	9/2007	Yang et al.		D593,974 S	6/2009	Yang et al.
D551,194 S	9/2007	Kim et al.		D597,041 S	7/2009	Cho et al.
D551,636 S	9/2007	Kang et al.		D597,977 S	8/2009	Won et al.
D551,655 S	9/2007	Kim		D597,978 S	8/2009	Won et al.
D551,665 S	9/2007	Tom et al.		D598,899 S	8/2009	Tkachuk
D552,090 S	10/2007	Kita		D601,104 S	9/2009	Kim
D552,509 S	10/2007	Walkup et al.		D603,816 S	11/2009	Kim et al.
D553,108 S	10/2007	Won et al.		D603,817 S	11/2009	Kim et al.
D554,601 S	11/2007	Won et al.		D605,148 S	12/2009	Boo et al.
D556,159 S	11/2007	Park et al.		D605,149 S	12/2009	Kim et al.
D556,160 S	11/2007	Lee et al.		D605,160 S	12/2009	Eaton
D556,709 S	12/2007	Kim et al.		D607,426 S	1/2010	Yang
D556,755 S	12/2007	Lee et al.		D608,311 S	1/2010	Lee et al.
D556,756 S	12/2007	Kataoka et al.		D608,314 S	1/2010	Boo et al.
D556,757 S	12/2007	Kim et al.		D609,658 S	2/2010	Kim et al.
D558,201 S	12/2007	Park et al.		D610,143 S	2/2010	Park et al.
				D614,596 S	4/2010	Won et al.
				D615,509 S	5/2010	Song et al.
				D615,510 S	5/2010	Won et al.
				D615,511 S	5/2010	Shin et al.

(56)

**References Cited**

## U.S. PATENT DOCUMENTS

D615,938 S 5/2010 Song et al.  
D615,963 S 5/2010 Cho et al.  
D616,842 S 6/2010 Kim  
D616,884 S 6/2010 Kim et al.  
D619,979 S 7/2010 Lee et al.  
D620,461 S 7/2010 Han et al.  
D620,901 S 8/2010 Won et al.  
D620,902 S 8/2010 Kim et al.  
D620,903 S 8/2010 Song et al.  
D622,235 S 8/2010 Lee et al.  
D624,047 S 9/2010 Kim  
D624,048 S 9/2010 Kim  
D625,278 S 10/2010 Kim et al.  
D626,101 S 10/2010 Kim et al.  
D628,556 S 12/2010 Lee et al.  
D629,388 S 12/2010 Son et al.  
D630,209 S 1/2011 Lee et al.  
D631,868 S 2/2011 Chung  
D632,291 S 2/2011 Park  
D634,302 S 3/2011 Chung et al.  
D634,323 S 3/2011 Park et al.  
D634,745 S 3/2011 Park et al.  
D635,569 S 4/2011 Park  
D635,975 S 4/2011 Seo et al.  
D635,976 S 4/2011 Lee et al.  
D657,789 S 4/2012 Lee et al.  
D657,790 S 4/2012 Lee et al.  
D657,791 S 4/2012 Kim et al.  
D657,792 S 4/2012 Lee et al.  
D658,176 S 4/2012 Lee et al.  
D661,303 S 6/2012 Fukusawa  
D664,541 S 7/2012 Kim et al.  
D664,542 S 7/2012 Lee et al.  
D664,956 S 8/2012 Lee et al.  
D667,826 S 9/2012 Lee et al.

## FOREIGN PATENT DOCUMENTS

KR 3001954000000 3/1997  
KR 3003049270000 8/2002  
KR 3003832320000 6/2005  
KR 3003879930000 8/2005  
KR 3004144010000 5/2006  
KR 3004230930000 8/2006  
KR 3005011860000 8/2006  
KR 3004261490000 9/2006  
KR 3004261500000 9/2006  
KR 3004230920001 10/2006  
KR 3004293530000 11/2006  
KR 3004293530001 11/2006  
KR 3004339210000 12/2006  
KR 3004388560001 2/2007

KR 3004388560002 3/2007  
KR 3004745330000 1/2008  
KR 3004772070000 1/2008  
KR 3004808250000 3/2008  
KR 3004809710000 3/2008  
KR 3004745330001 4/2008  
KR 3004873790000 4/2008  
KR 3004873800000 4/2008  
KR 3004873810000 4/2008  
KR 3005845050000 1/2011  
KR 3006046450000 7/2011  
KR 3006046460000 7/2011  
KR 3006076840000 8/2011  
KR 3006077890000 8/2011  
KR 3006077900000 8/2011  
KR 3006080880000 8/2011  
KR 3006084850000 8/2011

## OTHER PUBLICATIONS

U.S. Appl. No. 29/423,296, Applicant: Lee, et al., filed May 30, 2012, entitled Monitor.  
U.S. Appl. No. 29/425,733, Applicant: Gyoo-Sang Choi, filed Jun. 26, 2012, entitled Monitor.  
U.S. Appl. No. 29/425,734, Applicant: Kim, et al., filed Jun. 26, 2012, entitled Monitor.  
U.S. Appl. No. 29/427,157, Applicant: Lee, et al., filed Jul. 15, 2012, entitled Monitor.  
U.S. Appl. No. 29/426,896, Applicant: Kim, et al., filed Jul. 11, 2012, entitled Monitor.  
U.S. Appl. No. 29/427,737, Applicant: Bo-Kyung Seong, filed Jul. 21, 2012, entitled Monitor.  
U.S. Appl. No. 29/434,700, Applicant: Kim et al., filed Oct. 16, 2012, entitled Monitor.  
U.S. Appl. No. 29/419,916, Applicant: Lee, et al., filed May 2, 2012, entitled Monitor.  
U.S. Appl. No. 29/422,777, Applicant: Lee, et al., filed May 23, 2012, entitled Monitor.  
U.S. Appl. No. 29/428,391, Applicant: Kim et al., filed Jul. 30, 2012, entitled Monitor.  
U.S. Appl. No. 29/428,394, Applicant: Seo et al., filed Jul. 30, 2012, entitled Monitor.  
U.S. Appl. No. 29/428,573, Applicant: Seo et al., filed Aug. 1, 2012, entitled Monitor.  
U.S. Appl. No. 29/428,580, Applicant: Won et al., filed Aug. 1, 2012, entitled Monitor.  
U.S. Appl. No. 29/431,761, Applicant: Seo et al., filed Sep. 11, 2012, entitled Monitor.  
U.S. Appl. No. 29/426,686, Applicant: Seong, et al., filed Jul. 9, 2012, entitled Monitor.  
U.S. Appl. No. 29/436,728, Applicant: Kim et al., filed Nov. 8, 2012, entitled Monitor.

\* cited by examiner

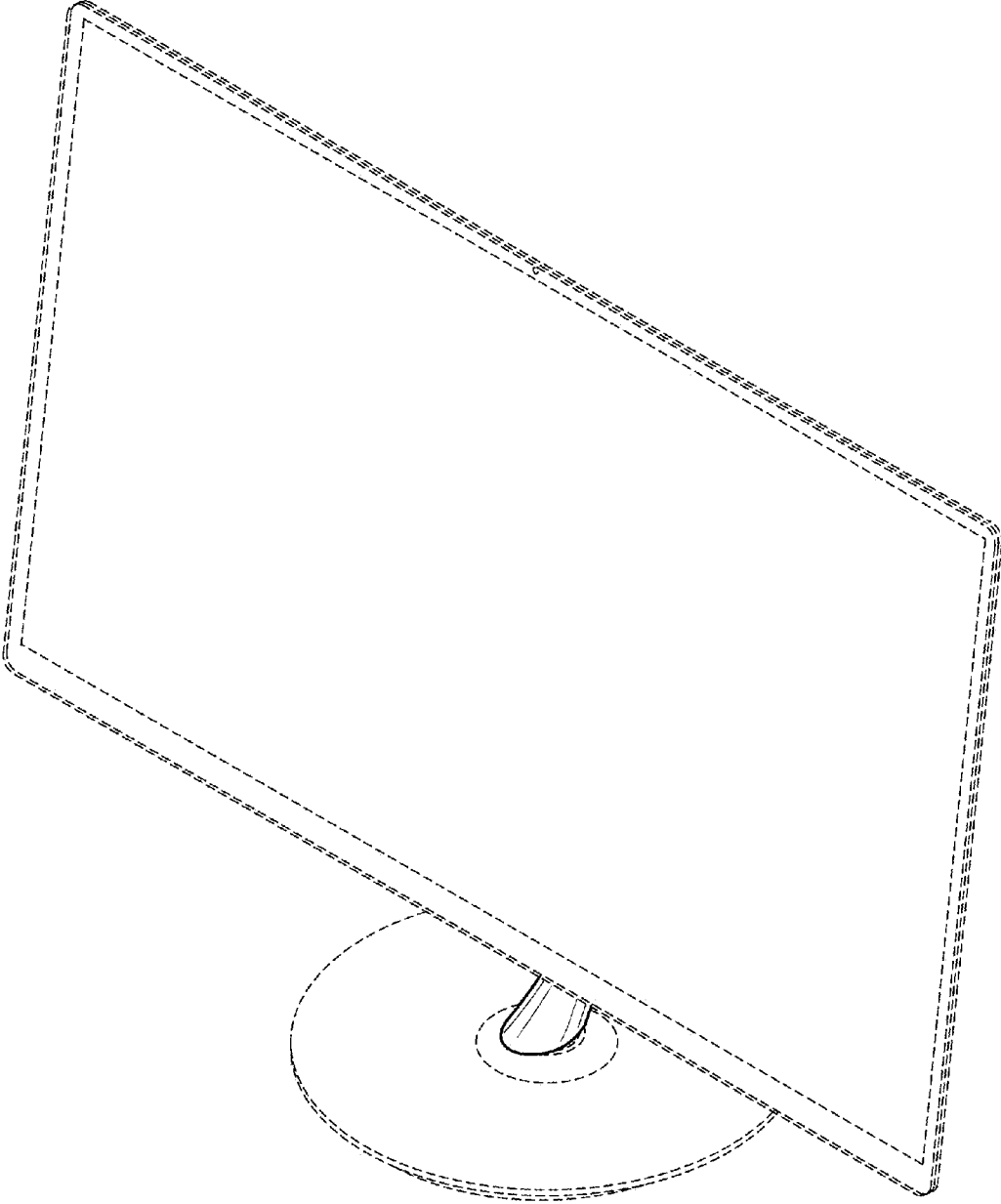


FIG.1

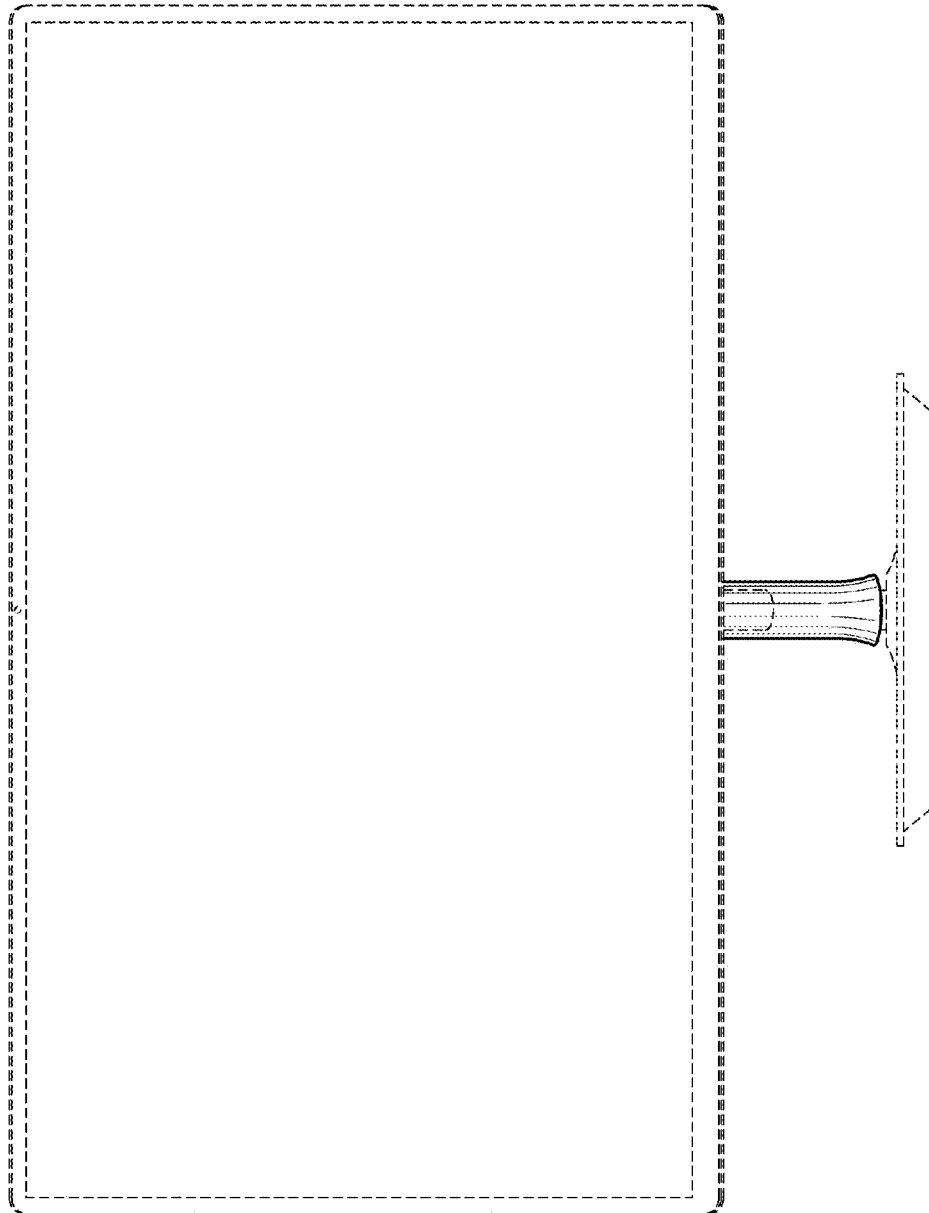


FIG.2

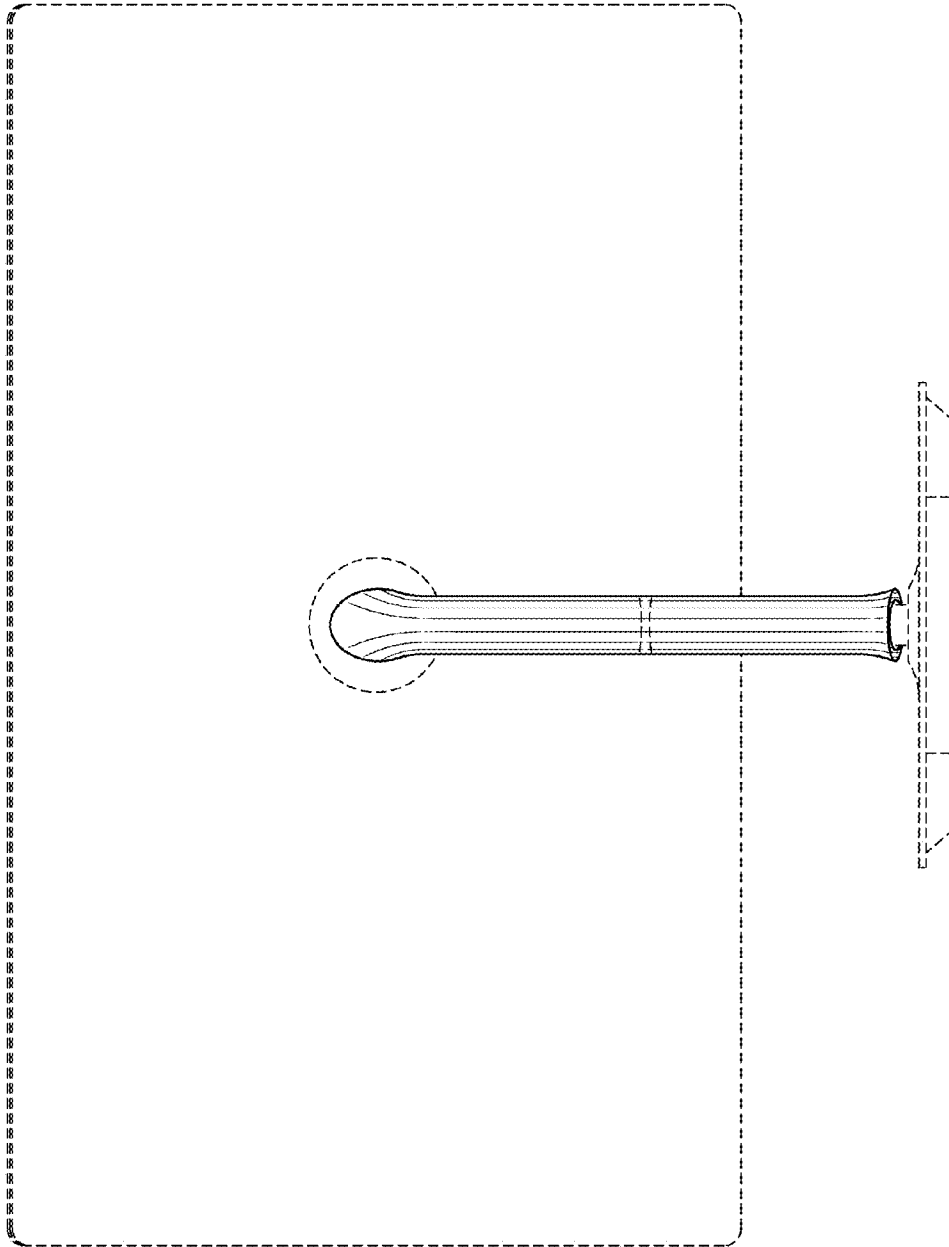


FIG.3

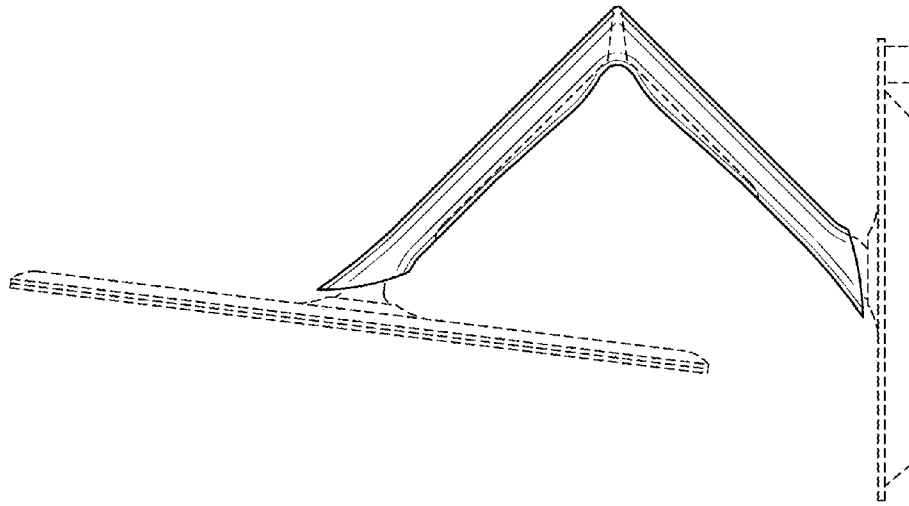


FIG.5

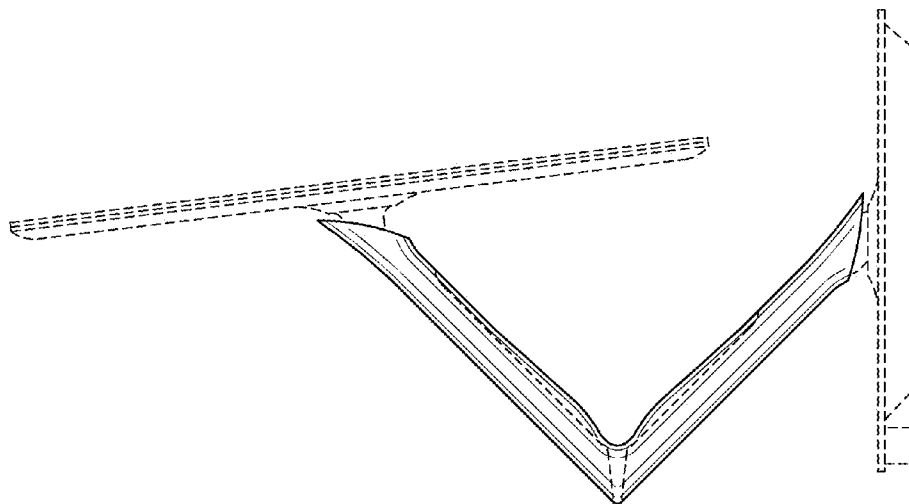


FIG.4

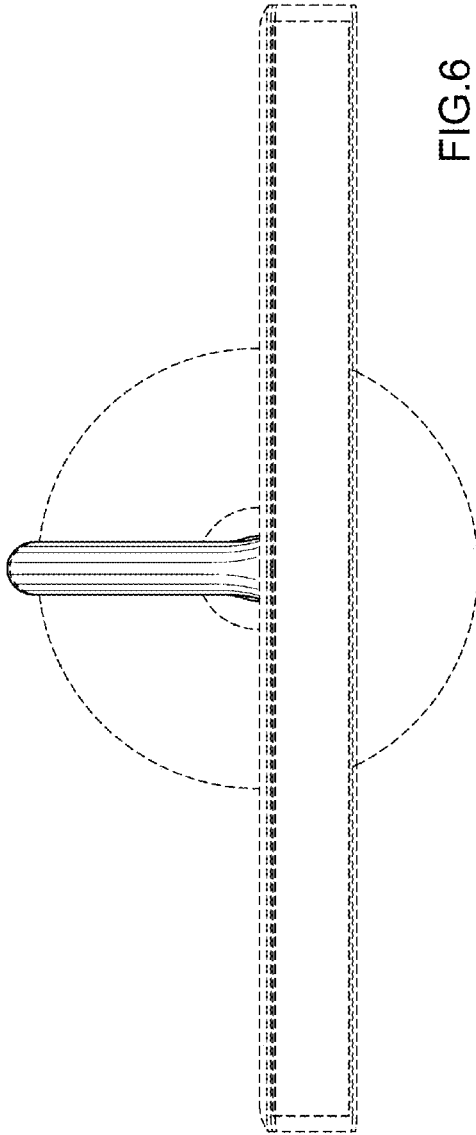


FIG. 6

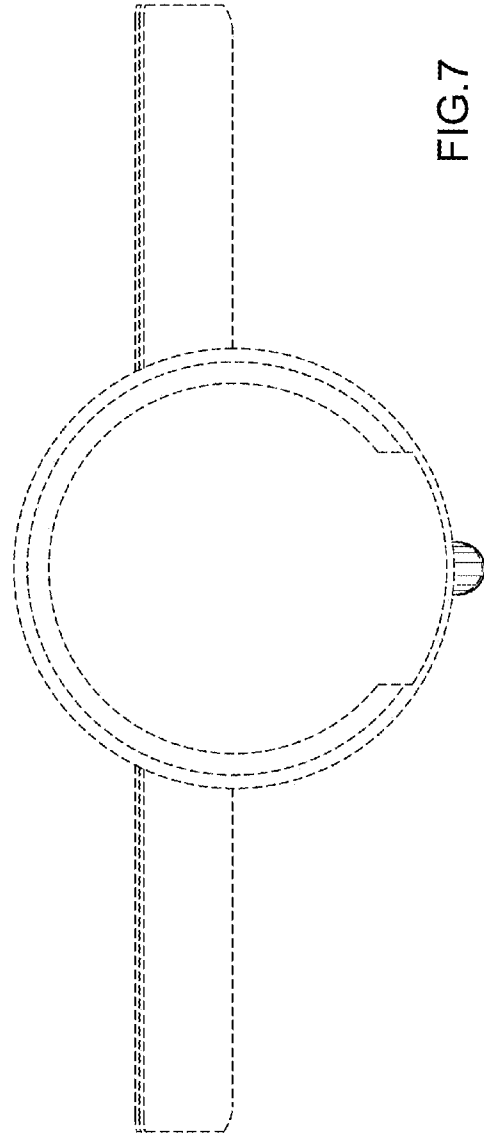


FIG. 7



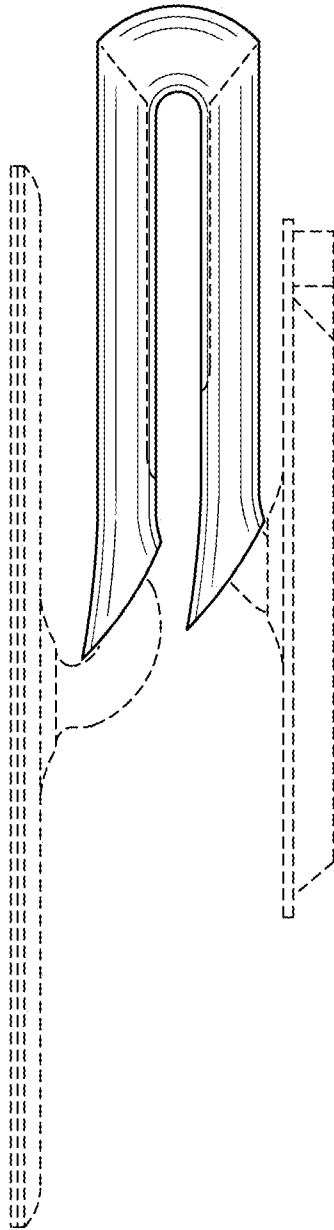


FIG.8