



US00D880487S

(12) **United States Design Patent**  
**Martin et al.**

(10) **Patent No.:** **US D880,487 S**

(45) **Date of Patent:** **\*\* Apr. 7, 2020**

(54) **POINTING CONTROLLER**  
(71) Applicant: **Purple Tambourine Limited**, London (GB)  
(72) Inventors: **Nathaniel James Martin**, London (GB); **Charles James Bruce**, London (GB); **Fiona Paula O’Leary**, London (GB); **James David Benham**, London (GB); **Julie Mareva Arrivé**, London (GB); **William John Howe**, London (GB)

D281,860 S \* 12/1985 Nadherny ..... D8/382  
5,162,615 A \* 11/1992 Schrader ..... H01R 4/186  
174/71 R  
5,635,676 A \* 6/1997 Piriz ..... H01R 4/186  
174/84 C  
6,818,830 B2 \* 11/2004 O’Grady ..... F16G 11/02  
174/84 C  
D520,987 S \* 5/2006 Tyson ..... D14/218  
D549,557 S \* 8/2007 Mori ..... D8/356  
(Continued)

(73) Assignee: **Purple Tambourine Limited**, London (GB)

**OTHER PUBLICATIONS**  
Controller, Litho, litho.cc, author and date not listed © Purple Tambourine Limited, online, site visited Dec. 4, 2019. Available from Internet, URL: <https://www.litho.cc> (Year: 2019).\*

(\*\*) Term: **15 Years**

(Continued)

(21) Appl. No.: **29/665,028**

*Primary Examiner* — Marissa J Cash  
*Assistant Examiner* — Altaira J Swangin  
(74) *Attorney, Agent, or Firm* — Fenwick & West LLP

(22) Filed: **Sep. 28, 2018**

(51) **LOC (12) Cl.** ..... **14-02**

(52) **U.S. Cl.** ..... **D14/454**

USPC .....  
(58) **Field of Classification Search**  
USPC ..... D14/197, 218, 371, 388, 443, 454;  
D21/566; 439/470, 108; D8/364, 367,  
D8/381–382, 394–396, 354–356;  
D6/528, 534–535, 554; D20/43;  
D13/155  
CPC ..... F16G 11/02; G06F 3/016; G06F 3/014  
See application file for complete search history.

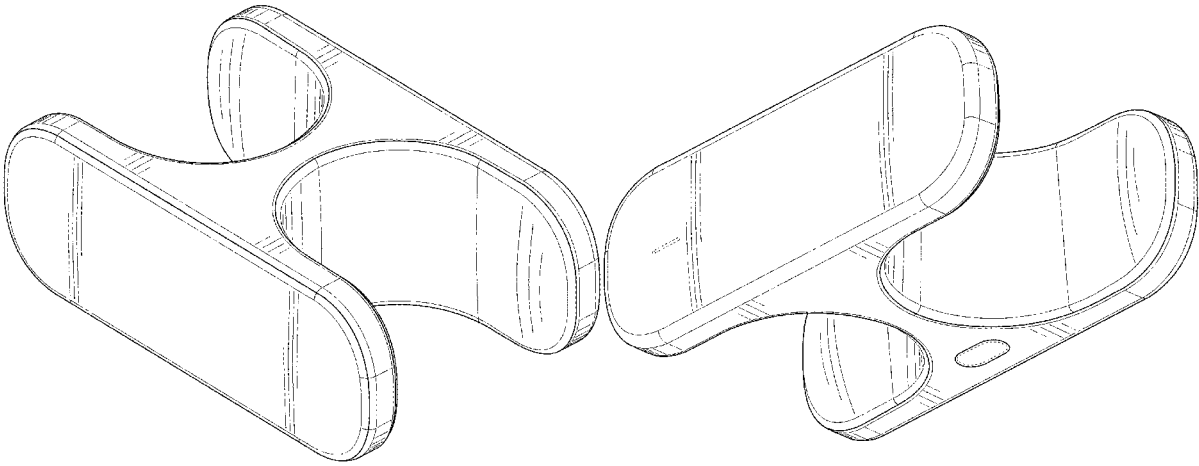
(57) **CLAIM**  
The ornamental design for a pointing controller, as shown and described.

(56) **References Cited**  
**U.S. PATENT DOCUMENTS**  
2,307,216 A \* 1/1943 Graham ..... F16G 11/02  
174/84 C  
D207,057 S \* 2/1967 Palmer ..... D8/395  
3,630,195 A \* 12/1971 Santomieri ..... A61M 25/02  
604/180  
3,747,166 A \* 7/1973 Eross ..... F16L 3/085  
248/75  
D275,174 S \* 8/1984 Rolli ..... D8/356

**DESCRIPTION**

FIG. 1 is a bottom, front, right side perspective view of a pointing controller;  
FIG. 2 is a top, rear, left side perspective view thereof;  
FIG. 3 is a bottom plan view thereof;  
FIG. 4 is a top plan view thereof;  
FIG. 5 is a left side elevational view thereof;  
FIG. 6 is a right side elevational view thereof;  
FIG. 7 is a front elevational view thereof; and,  
FIG. 8 is a rear elevational view thereof.  
The broken lines in the drawings are included for the purpose of illustrating environmental structure and form no part of the claimed design.

**1 Claim, 8 Drawing Sheets**





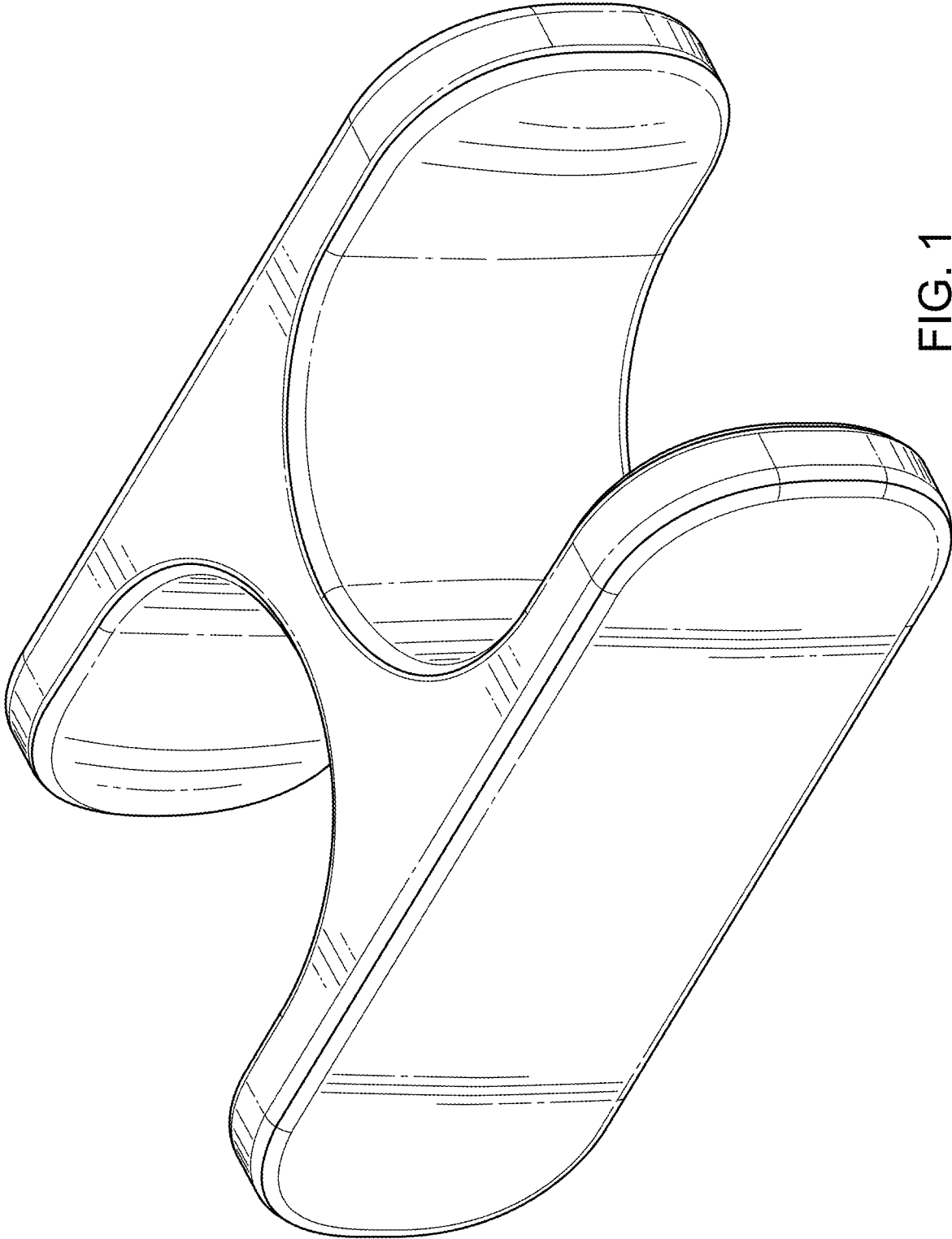


FIG. 1

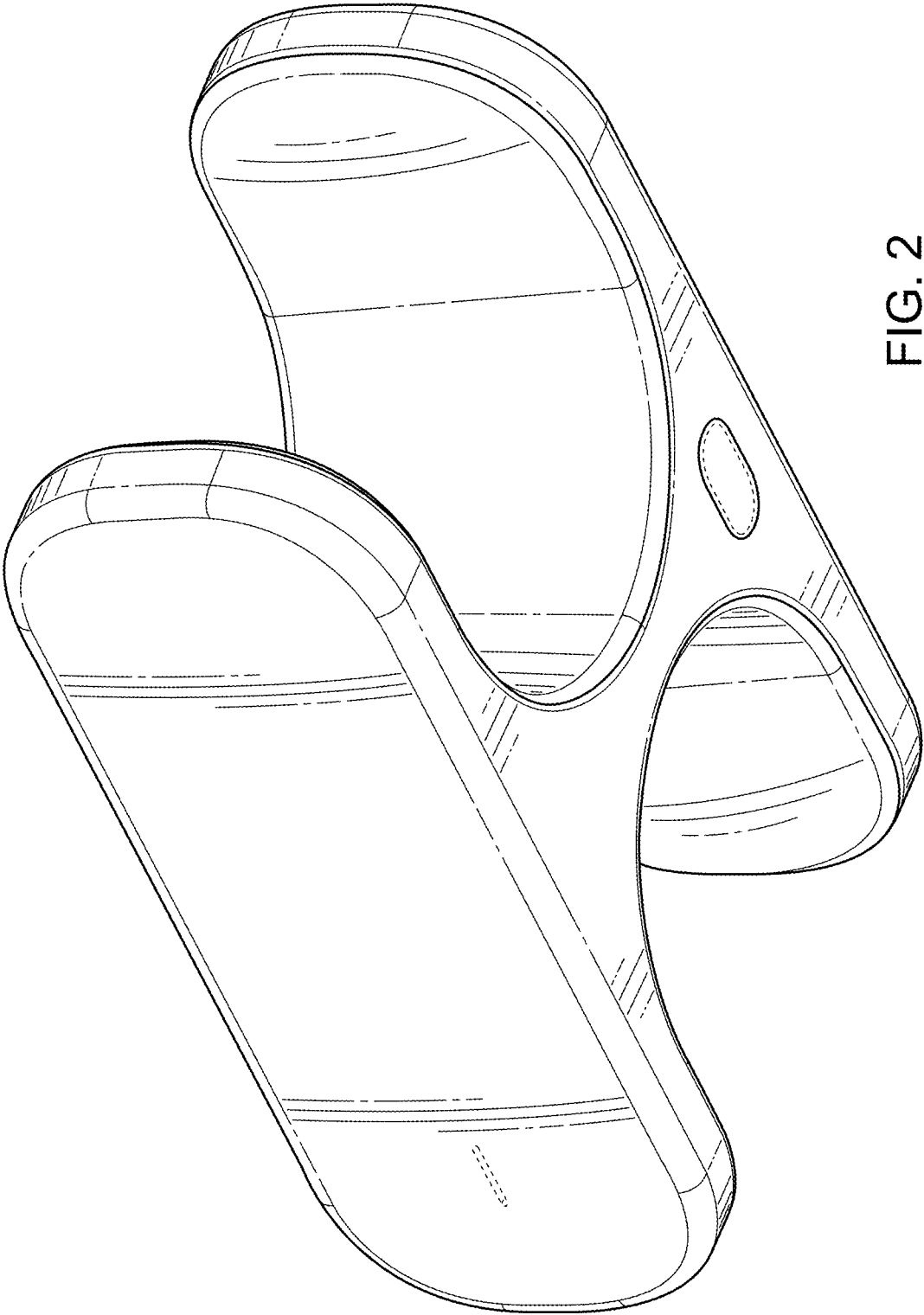


FIG. 2

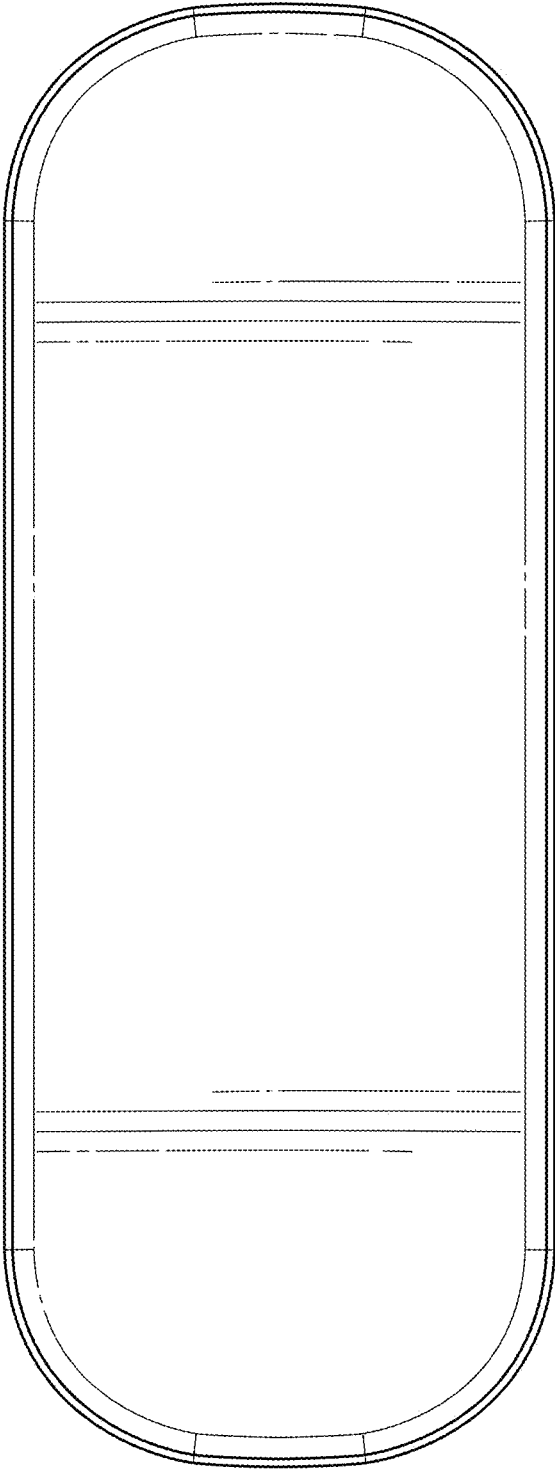


FIG. 3

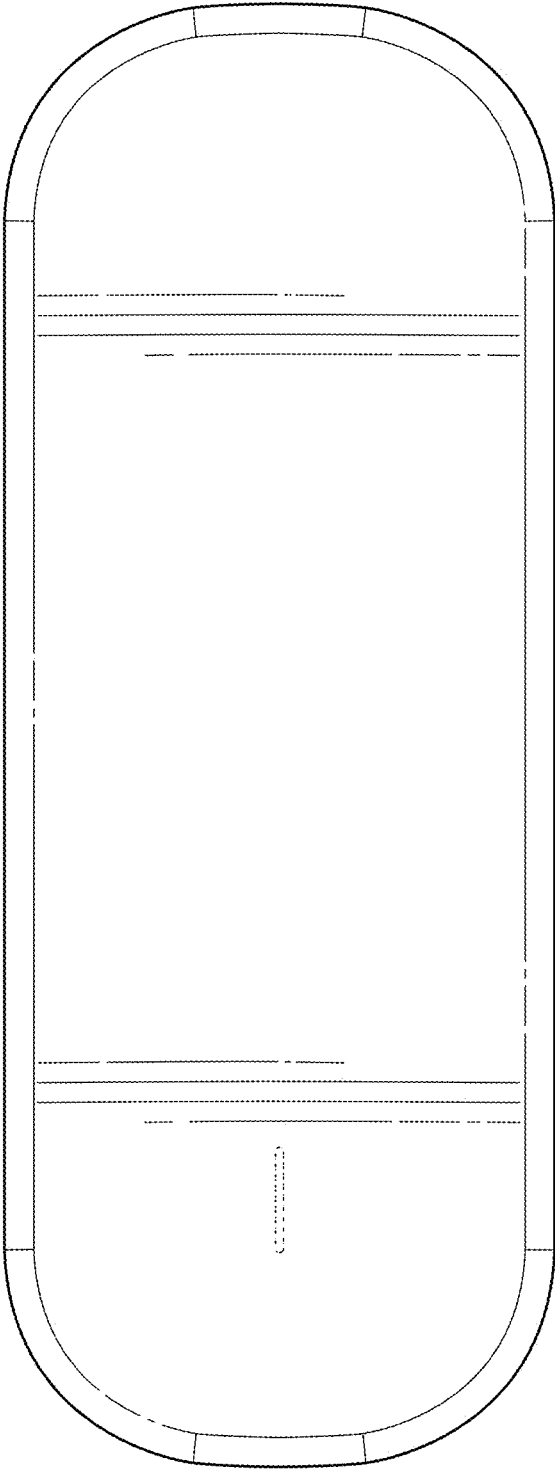


FIG. 4

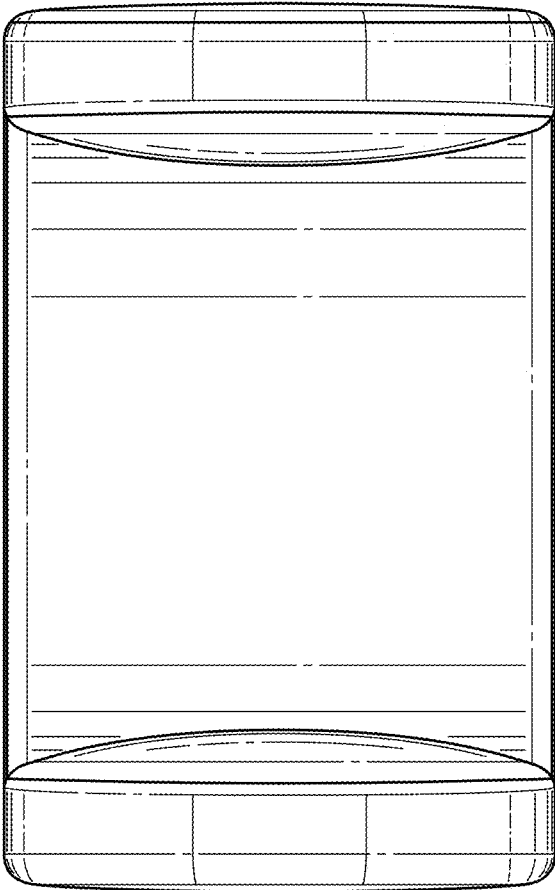


FIG. 5

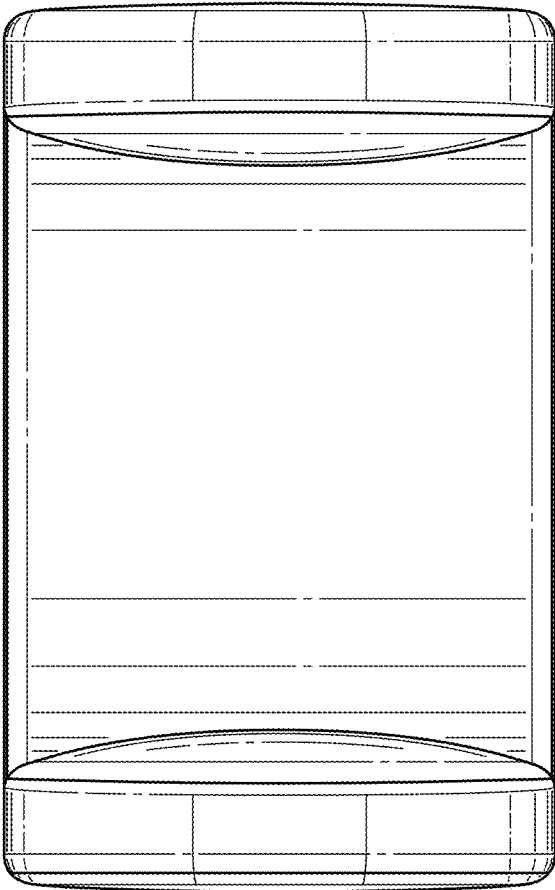


FIG. 6



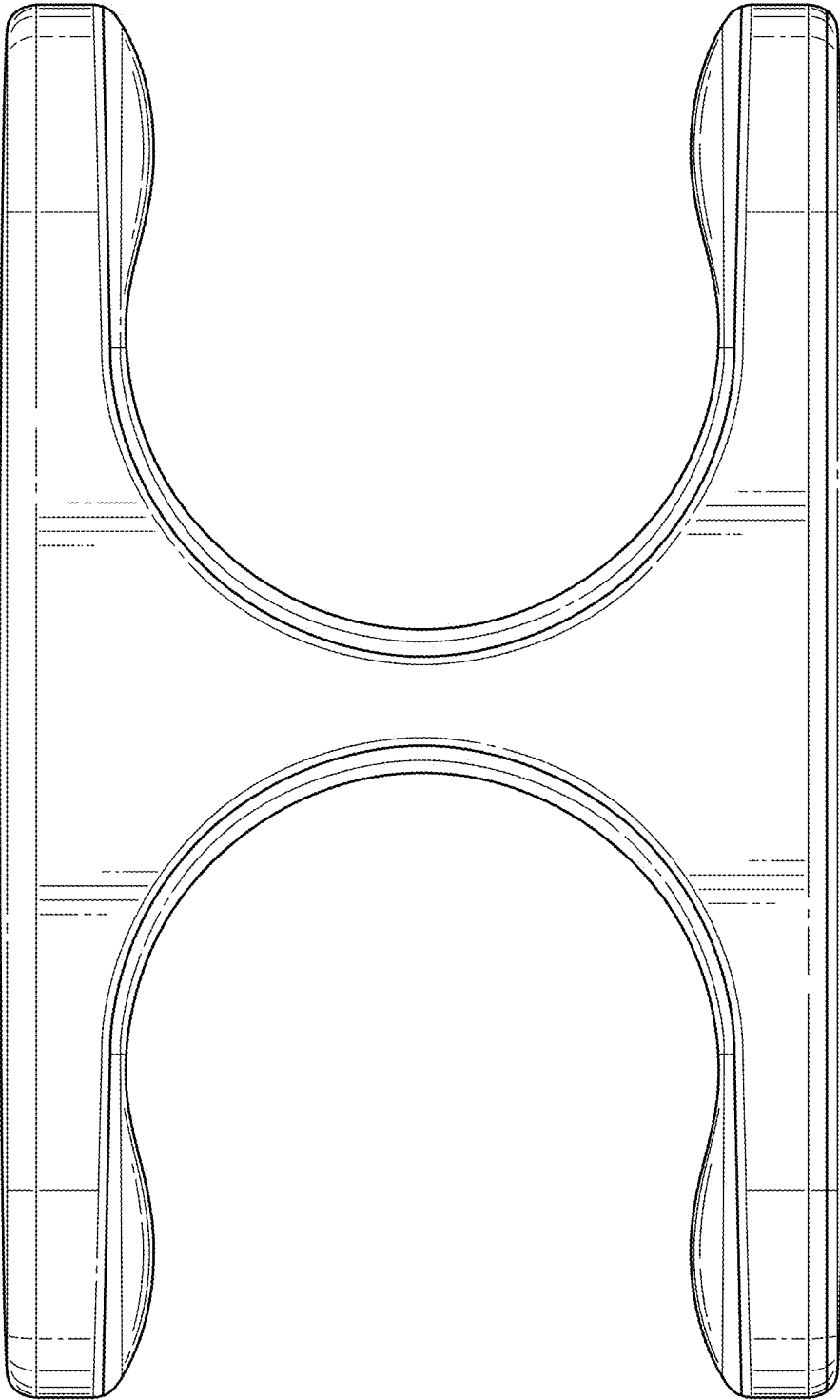


FIG. 7

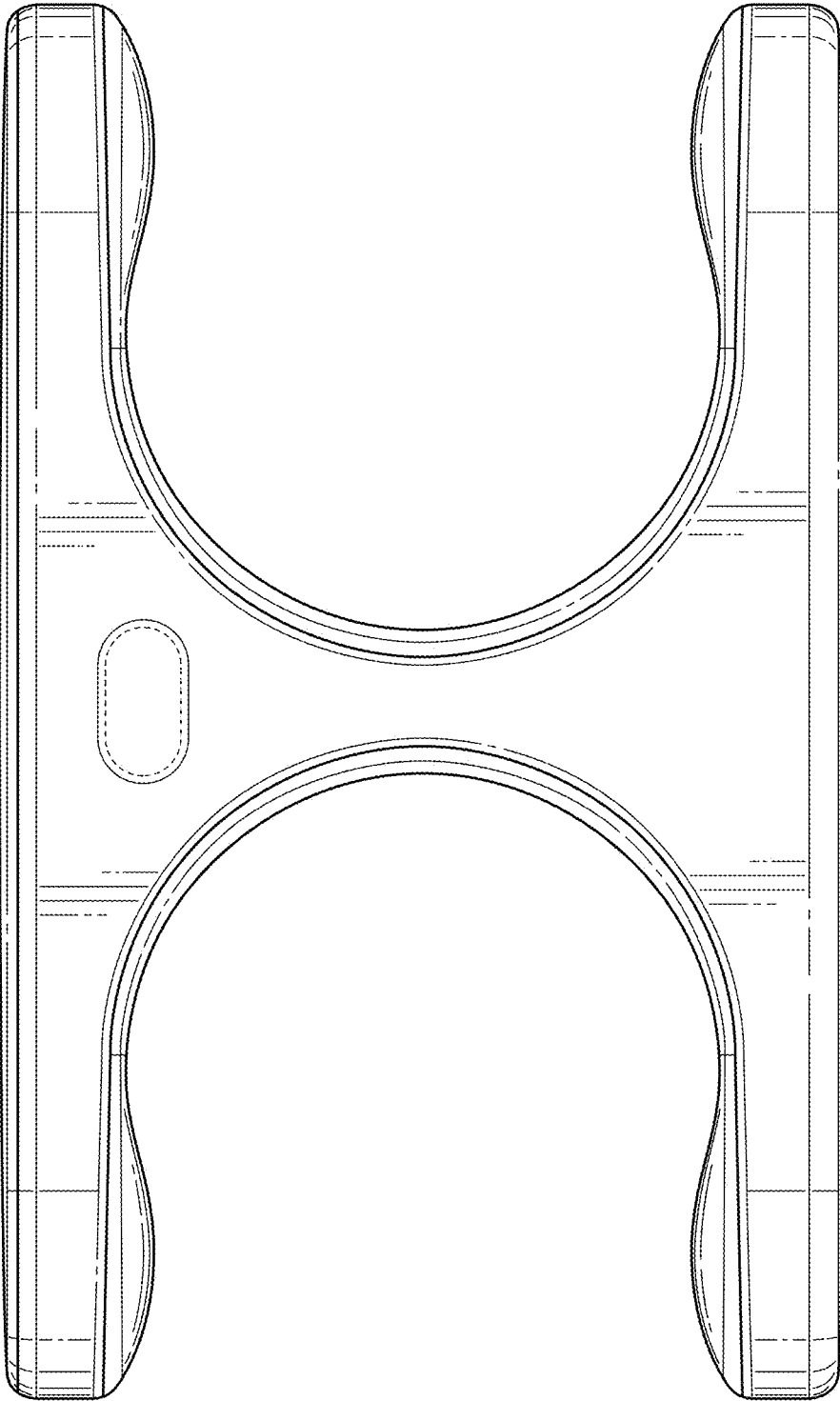


FIG. 8