



US00D672452S

(12) **United States Design Patent**
Stubber

(10) **Patent No.:** **US D672,452 S**

(45) **Date of Patent:** **** Dec. 11, 2012**

(54) **WOUND DRAINAGE FLOW CONTROL
DEVICE**

(75) Inventor: **Raymond Lawrence Stubber, Sorrento**
(AU)

(73) Assignee: **Research Medical Pty Ltd, Sorrento**
(AU)

(**) Term: **14 Years**

(21) Appl. No.: **29/382,422**

(22) Filed: **Jan. 3, 2011**

(30) **Foreign Application Priority Data**

Jul. 9, 2010 (AU) 12809/2010

(51) **LOC (9) Cl.** **24-01**

(52) **U.S. Cl.** **D24/108**

(58) **Field of Classification Search** D24/107-108,
D24/111, 129; 604/30, 33, 35, 140, 143,
604/152, 154, 216, 245, 326, 317, 355, 319

See application file for complete search history.

(56) **References Cited**

U.S. PATENT DOCUMENTS

2,524,750	A *	10/1950	Bellinger	604/355
D231,639	S *	5/1974	Gambello	D24/111
D250,276	S *	11/1978	Thomas et al.	D24/129
4,250,882	A *	2/1981	Adair	604/355
D274,355	S *	6/1984	Cannon	D24/111
4,578,060	A *	3/1986	Huck et al.	604/133
4,664,652	A *	5/1987	Weilbacher	604/216
4,778,446	A *	10/1988	Jensen	604/317

5,112,323	A *	5/1992	Winkler et al.	604/319
D332,656	S *	1/1993	Atkinson et al.	D24/111
2010/0137775	A1 *	6/2010	Hu et al.	604/319
2010/0228188	A1 *	9/2010	Kunzler et al.	604/74

OTHER PUBLICATIONS

Wound Drainage REservoir, medical implement, wound drainage, drainage reservoir, Wound Drainage System. Mingbo Greatcare Meditech Co., Ltd, 2011 [retrieved on Jun. 7, 2012]. Retrieved from the Internet: <URL: <http://www.sell.lulusoso.com/selling-leads/370338/Wound-Drainage-Reservoir-medical-implement>>.*

* cited by examiner

Primary Examiner — Wan Laymon

(74) *Attorney, Agent, or Firm* — Cascio & Zervas

(57) **CLAIM**

The ornamental design for a wound drainage flow control device, as shown and described.

DESCRIPTION

FIG. 1 is a top plan view of the wound drainage flow control device showing my design;

FIG. 2 is a bottom plan view thereof;

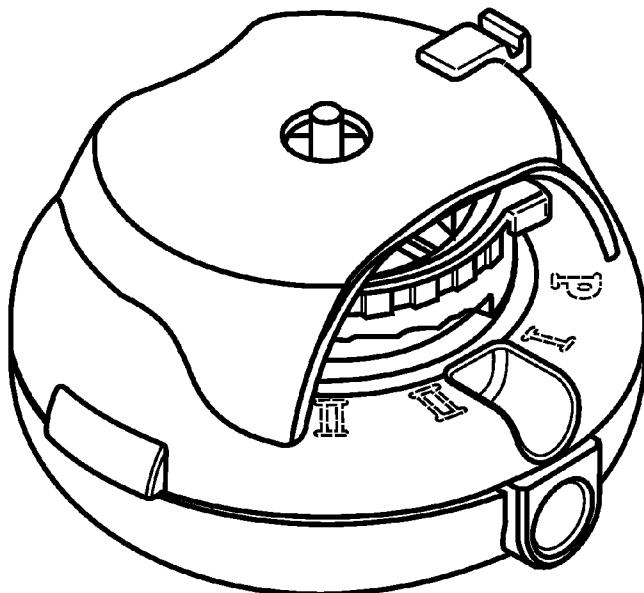
FIG. 3 is a left side elevational view thereof;

FIG. 4 is a right side elevational view thereof; and,

FIG. 5 is a perspective view thereof.

The phantom lines shown in the FIGS. 1 and 5 are illustrative of environmental structure only and form no part of the claimed design.

1 Claim, 2 Drawing Sheets



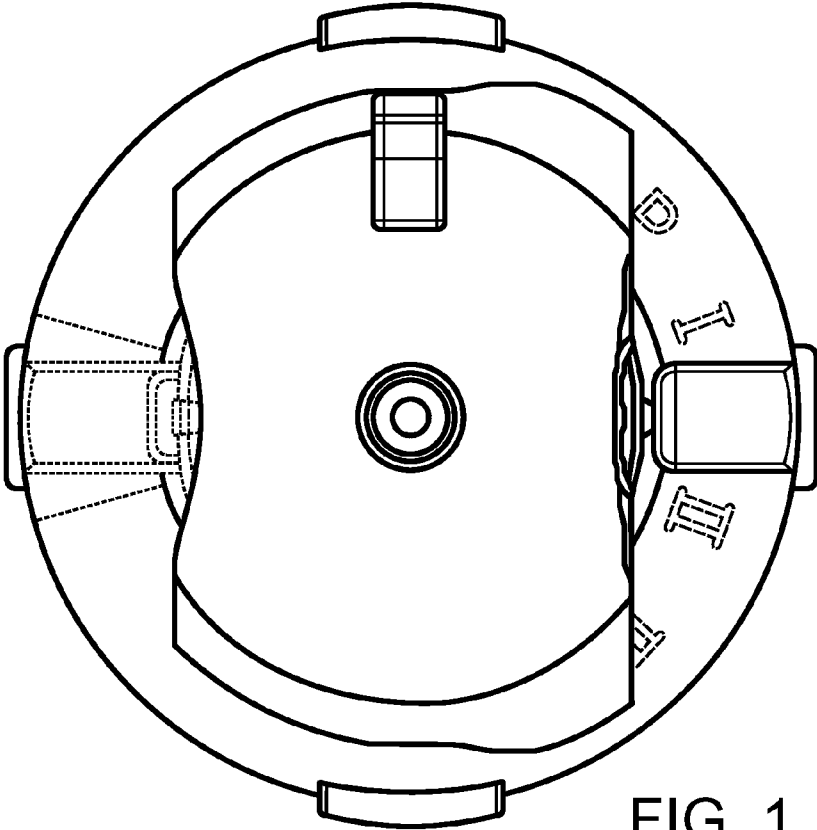


FIG. 1

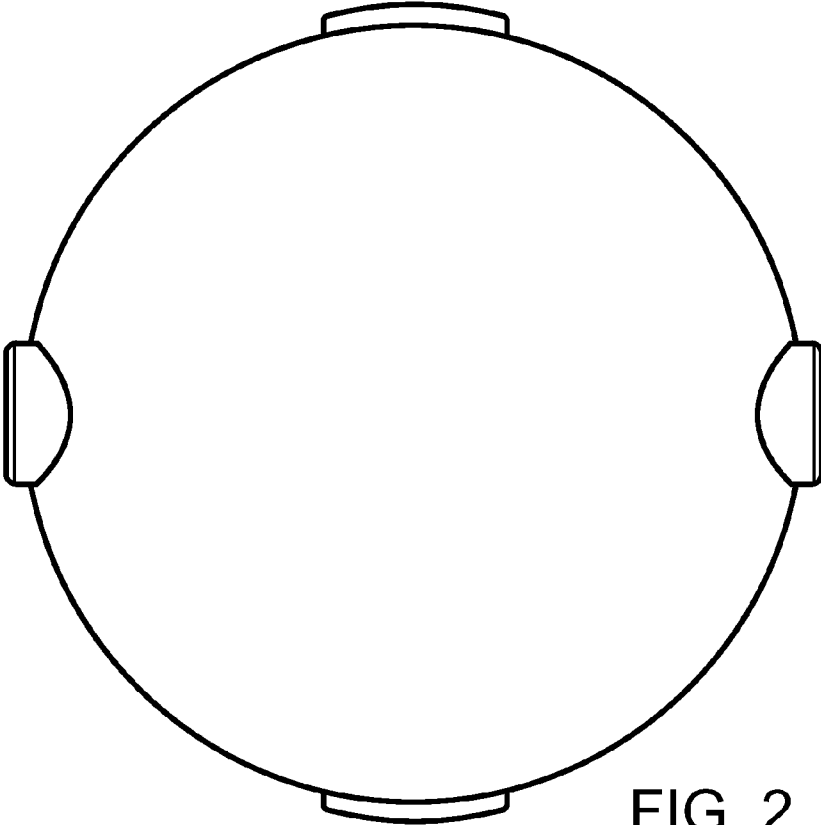


FIG. 2

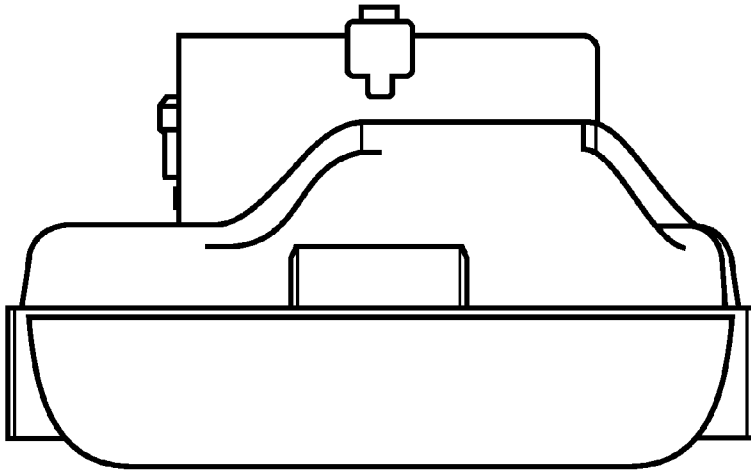


FIG. 3

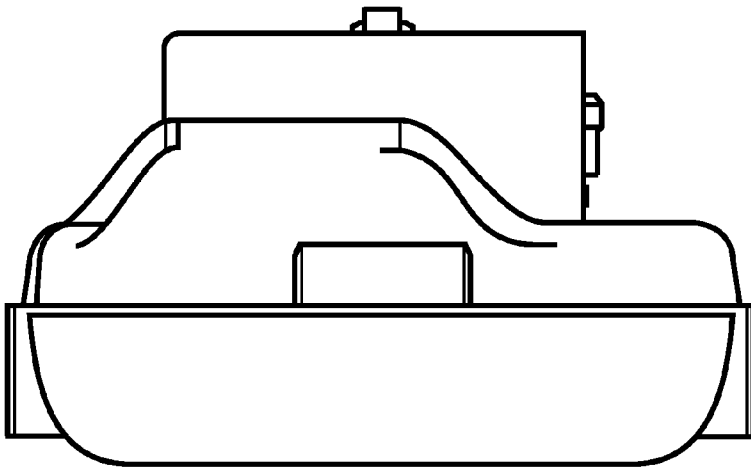


FIG. 4

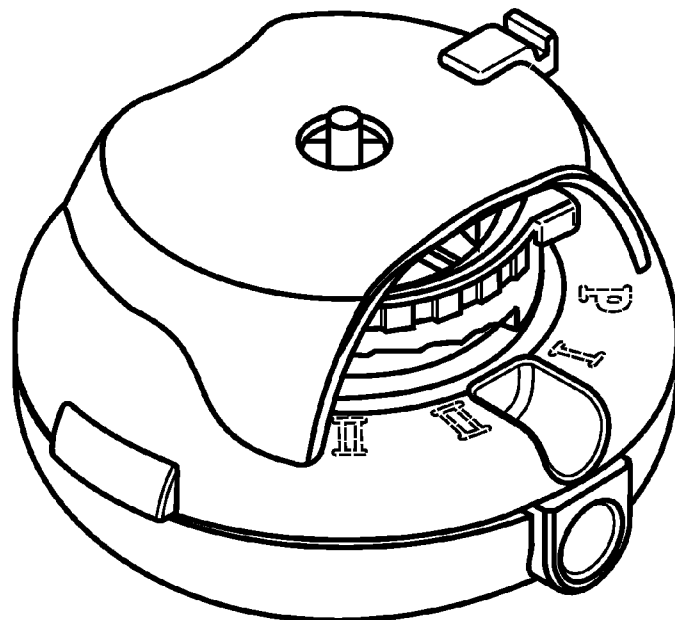


FIG. 5