

(19) World Intellectual Property Organization
International Bureau



(43) International Publication Date
27 March 2008 (27.03.2008)

PCT

(10) International Publication Number
WO 2008/035161 A3

- (51) **International Patent Classification:**
H04Q 7/38 (2006.01) *H04L 12/56* (2006.01)
- (21) **International Application Number:**
PCT/IB2007/002681
- (22) **International Filing Date:**
17 September 2007 (17.09.2007)
- (25) **Filing Language:** English
- (26) **Publication Language:** English
- (30) **Priority Data:**
60/826,082 18 September 2006 (18.09.2006) US
11/855,657 14 September 2007 (14.09.2007) US
- (71) **Applicant (for all designated States except US):** **NOKIA CORPORATION** [FI/FI]; Keilalahdentie 4, FIN-02150 Espoo (FI).
- (71) **Applicant (for LC only):** **NOKIA INC.** [US/US]; 6000 Connection Drive, Irving, TX 75039 (US).
- (72) **Inventors; and**
- (75) **Inventors/Applicants (for US only):** **XIAOBEN, He** [CNM]; Kilpolantie 16 E 56, FIN-00940 Helsinki (FI). **SORRI, Antti** [FLT]; Savelantie 3 AI, FIN-00720 Helsinki (FI). **SALOKANNEL, Juha** [HM]; Siikinkatu

13, FIN-33710 Tampere (FI). **WIJTING, Carl, Simon** [NLM]; Kuusitie 7 A 12, FIN-00270 Helsinki (FI). **DOPPLER, Klaus** [ATM]; Otsonkallio 2 B 27, FIN-021 10 Espoo (FI). **KAAJA, Harald** [FIM]; Keilalahdentie 4, FIN-02150 Espoo (FI).

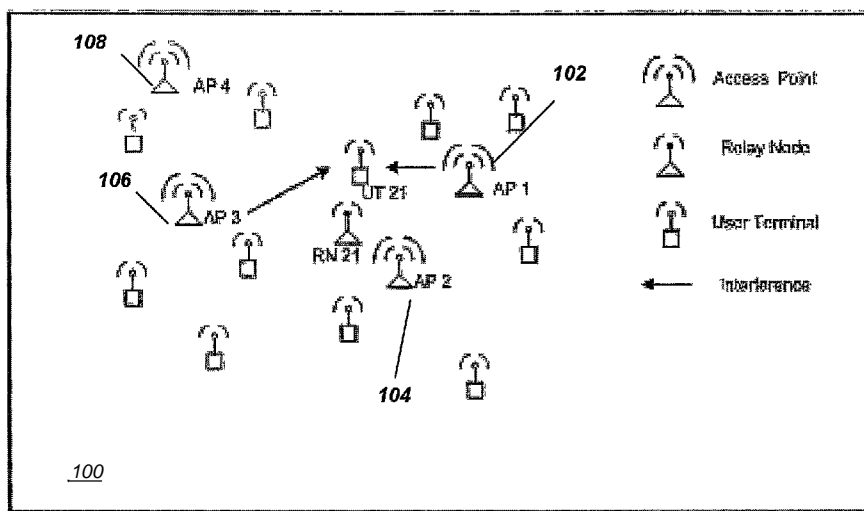
(74) **Agent:** **LIVESAY, Margo**; Brake Hughes Bellermann LLP, c/o Intelivate, P. O. Box 52050, Minneapolis, MN 52050 (US).

(81) **Designated States (unless otherwise indicated, for every kind of national protection available):** AE, AG, AL, AM, AT, AU, AZ, BA, BB, BG, BH, **BR**, BW, BY, BZ, CA, CH, CN, CO, CR, CU, CZ, DE, DK, DM, DO, DZ, EC, EE, EG, ES, FI, GB, GD, GE, GH, GM, GT, HN, **HR**, HU, **ID**, IL, IN, IS, **JP**, KE, KG, KM, KN, KP, KR, KZ, LA, LC, LK, LR, LS, LT, LU, LY, MA, MD, ME, MG, MK, MN, MW, MX, MY, MZ, NA, NG, NI, NO, NZ, OM, PG, PH, PL, PT, RO, RS, RU, SC, SD, SE, SG, SK, SL, SM, SV, SY, TJ, TM, TN, TR, TT, TZ, UA, UG, US, UZ, VC, VN, ZA, ZM, ZW

(84) **Designated States (unless otherwise indicated, for every kind of regional protection available):** ARIPO (BW, GH, GM, KE, LS, MW, MZ, NA, SD, SL, SZ, TZ, UG, ZM, ZW), Eurasian (AM, AZ, BY, KG, KZ, MD, RU, TJ, TM),

[Continued on next page]

(54) **Title:** RESOURCE MANAGEMENT TECHNIQUES FOR WIRELESS NETWORKS



(57) **Abstract:** Various embodiments are described relating to resource management techniques for wireless networks. For example, a resource deficiency may be determined (1410) for a requesting wireless node in a wireless network (100). A resource request may be sent (1420) from the requesting node to one or more other wireless nodes, and a resource reply including a resource status may be received (1430) from one or more of the other wireless nodes in response to the resource request. One of the other nodes from which to obtain a resource may be selected (1440) based on the resource status for the selected node, and a resource update message may be sent (1450) from the requesting wireless node to the selected wireless node to facilitate a reallocation of resources from the selected node to the requesting node, the resource update message indicating an amount of resources to be reallocated from the selected node to the requesting node.

WO 2008/035161 A3



European (AT, BE, BG, CH, CY, CZ, DE, DK, EE, ES, FI, FR, GB, GR, HU, IE, IS, IT, LT, LU, LV, MC, MT, NL, PL, PT, RO, SE, SI, SK, TR), OAPI (BF, BJ, CF, CG, CI, CM, GA, GN, GQ, GW, ML, MR, NE, SN, TD, TG).

— *before the expiration of the time limit for amending the claims and to be republished in the event of receipt of amendments*

Published:

— *with international search report*

(88) Date of publication of the international search report:

24 July 2008

INTERNATIONAL SEARCH REPORT

International application No.
PCT/IB2007/002681

A. CLASSIFICATION OF SUBJECT MATTER

IPC: see extra sheet

According to International Patent Classification (IPC) or to both national classification and IPC

B. FIELDS SEARCHED

Minimum documentation searched (classification system followed by classification symbols)

IPC: H04Q, H04L

Documentation searched other than minimum documentation to the extent that such documents are included in the fields searched

SE, DK, FI, NO classes as above

Electronic data base consulted during the international search (name of data base and, where practicable, search terms used)

EPO-INTERNAL, WPI DATA, PAJ

C. DOCUMENTS CONSIDERED TO BE RELEVANT

Category*	Citation of document, with indication, where appropriate, of the relevant passages	Relevant to claim No.
A	US 20050143084 A1 (CHENG ET AL), 30 June 2005 (30.06.2005) --	1-33
A	US 20040023660 A1 (DAVID BEN-ELI), 5 February 2004 (05.02.2004) --	1-33
A	WO 9715163 A1 (TELEFONAKTIEBOLAGET LM ERICSSON), 24 April 1997 (24.04.1997) --	1-33

Further documents are listed in the continuation of Box C.

See patent family annex.

* Special categories of cited documents:

"A" document defining the general state of the art which is not considered to be of particular relevance
 "E" earlier application or patent but published on or after the international filing date
 "L" document which may throw doubts on priority claim(s) or which is cited to establish the publication date of another citation or other special reason (as specified)
 "O" document referring to an oral disclosure, use, exhibition or other means
 "P" document published prior to the international filing date but later than the priority date claimed

"T" later document published after the international filing date or priority date and not in conflict with the application but cited to understand the principle or theory underlying the invention
 "X" document of particular relevance: the claimed invention cannot be considered novel or cannot be considered to involve an inventive step when the document is taken alone
 "Y" document of particular relevance: the claimed invention cannot be considered to involve an inventive step when the document is combined with one or more other such documents, such combination being obvious to a person skilled in the art
 "&" document member of the same patent family

Date of the actual completion of the international search

12 May 2008

Date of mailing of the international search report

14-05-2008

Name and mailing address of the ISA/
 Swedish Patent Office
 Box 5055, S-102 42 STOCKHOLM
 Facsimile No. +46 8 666 02 86

Authorized officer

Alexander Lakic / itw
 Telephone No. +46 8 782 25 00

INTERNATIONAL SEARCH REPORT

International application No.

PCT/IB2007/002681

C (Continuation). DOCUMENTS CONSIDERED TO BE RELEVANT

Category*	Citation of document, with indication, where appropriate, of the relevant passages	Relevant to claim No.
P, X	<p data-bbox="316 353 1212 638">He Xiaoben "Self-Organized and Distributed Radio Resource Management Scheme for CSMA/CA Based IEEE 802.11 WLAN" In: International Conference on Wireless Communications, Networking and Mobile Computing, 2007. WiCom 2007. 21-25 Sept. 2007 Page(s):2048-2053, Digital Object Identifier 10.1109/WICOM.2007.512 http://ieeexplore.ieee.org/ie15/4339774/4339775/0434</p> <p data-bbox="660 674 785 719">-- -----</p>	1-33

International patent classification (IPC)**H04Q 7/38** (2006.01)**H04L 12/56** (2006.01)**Download your patent documents at www.prv.se**

The cited patent documents can be downloaded at www.prv.se by following the links:

- In English/Searches and advisory services/Cited documents (service in English) or
- e-tjanster/anf örda dokument (service in Swedish).

Use the application number as username.

The password is **ZYDNALHJRT**.

Paper copies can be ordered at a cost of 50 SEK per copy from PRV InterPat (telephone number 08-782 28 85) .

Cited literature, if any, will be enclosed in paper form.

INTERNATIONAL SEARCH REPORT
Information on patent family members

International application No.
PCT/IB2007/002681

US	20050143084	A1	30/06/2005	CN	1902970	A	24/01/2007
				EP	1700512	A	13/09/2006
				US	20060079221	A	13/04/2006
				WO	2005067338	A	21/07/2005

US	20040023660	A1	05/02/2004	AU	2003261291	A	23/02/2004
				CN	1640181	A	13/07/2005
				EP	1527652	A	04/05/2005
				US	7099682	B	29/08/2006
				US	20060205425	A	14/09/2006
				WO	2004014099	A	12/02/2004

WO	9715163	A1	24/04/1997	AU	7452396	A	07/05/1997
				BR	9611029	A	13/07/1999
				CA	2235154	A ₁ C	24/04/1997
