



US00D692751S

(12) **United States Design Patent**
Mastronardi

(10) **Patent No.:** **US D692,751 S**

(45) **Date of Patent:** **** Nov. 5, 2013**

(54) **FOOD CONTAINER**

(75) Inventor: **Paul Mastronardi**, Leamington (CA)

(73) Assignee: **Mastronardi Produce Ltd.**, Kingsville (CA)

(**) Term: **14 Years**

(21) Appl. No.: **29/429,867**

(22) Filed: **Aug. 17, 2012**

(51) **LOC (9) Cl.** **09-03**

(52) **U.S. Cl.**
USPC **D9/427**

(58) **Field of Classification Search**
USPC D9/414, 419, 424, 425, 430, 431, 432, D9/435, 761; D7/538, 549, 550.1, D7/601-603, 605, 629; 229/105, 117.09, 229/117.26, 189, 406, 407, 902, 905, 229/915.1; 220/23.4, 23.6, 266, 281, 315, 220/318, 500, 659, 669, 674, 675, 696, 752, 220/760, 790, 793, DIG. 12, FOR. 117; 206/499, 508, 557; D3/276

See application file for complete search history.

(56) **References Cited**

U.S. PATENT DOCUMENTS

- 3,038,634 A 6/1962 Cheeley
- D235,621 S 7/1975 Cawrse
- 3,941,301 A 3/1976 Jorgensen
- 4,375,862 A * 3/1983 Kurinsky et al. 220/293
- 4,412,630 A 11/1983 Daenen
- D308,942 S 7/1990 Thundercliffe
- D311,334 S 10/1990 Flynn et al.
- D319,978 S 9/1991 Wolff
- D333,410 S 2/1993 Panzarello
- D334,113 S 3/1993 Lewis et al.
- D351,999 S 11/1994 Krupa
- D371,053 S 6/1996 Lillelund et al.
- D374,155 S 10/1996 Feer et al.

- D388,325 S 12/1997 Tucker et al.
- D414,707 S 10/1999 Wei
- D417,847 S 12/1999 Rush et al.
- D418,056 S 12/1999 Johnson
- D419,829 S 2/2000 Wilson et al.
- D425,436 S 5/2000 Wei
- D428,777 S 8/2000 Hayes et al.
- D429,442 S 8/2000 Laib
- D440,042 S 4/2001 Holahan
- D443,484 S 6/2001 Maxwell et al.
- D462,880 S 9/2002 Maxwell et al.
- D463,277 S 9/2002 Yang
- D475,919 S 6/2003 Choffez

(Continued)

OTHER PUBLICATIONS

U.S. Trademark Registration No. 3,359,569, Registered Dec. 25, 2007, Desert Glory, Ltd Ser. No. 78/712,089, filed Sep. 13, 2005, For: Fresh Fruits and Vegetables in Class 31, p. 1.

(Continued)

Primary Examiner — Thomas Johannes
(74) *Attorney, Agent, or Firm* — Gifford, Krass, Sprinkle, Anderson & Citkowski, P.C.

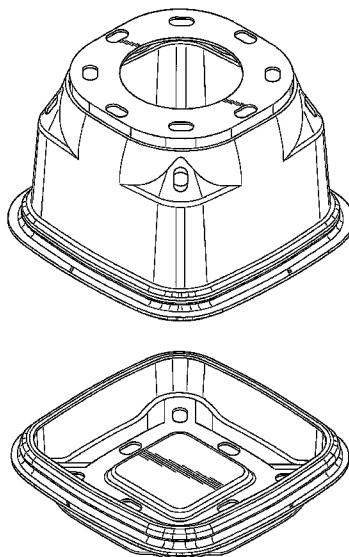
(57) **CLAIM**

I claim the ornamental design for a food container, as shown and described.

DESCRIPTION

FIG. 1 is a perspective side view of a food container according to my new design;
FIG. 2 is an exploded perspective top and side view thereof;
FIG. 3 an exploded side elevation view thereof;
FIG. 4 is a side-by-side bottom plan view of the base and lid thereof; and,
FIG. 5 is a side-by-side top plan view of the base and lid thereof.

1 Claim, 5 Drawing Sheets



(56)

References Cited

U.S. PATENT DOCUMENTS

D498,050 S 11/2004 Scribner
 D501,403 S 2/2005 Wilcock et al.
 D501,764 S 2/2005 Lerner
 D502,096 S 2/2005 Wilcock et al.
 D503,336 S 3/2005 Tucker et al.
 D505,835 S 6/2005 Schultz et al.
 D505,839 S 6/2005 Stanos et al.
 D505,840 S 6/2005 Schultz et al.
 D512,278 S 12/2005 Schultz et al.
 D512,606 S 12/2005 Lown
 D514,439 S 2/2006 Snedden et al.
 D514,440 S 2/2006 Snedden et al.
 D514,929 S 2/2006 Snedden et al.
 D518,958 S 4/2006 Yourist
 D531,802 S 11/2006 Zimmerman
 D548,069 S 8/2007 Sagel et al.
 D548,587 S 8/2007 DuVal et al.
 D555,982 S 11/2007 Tucker et al.
 D559,628 S 1/2008 Chiang et al.
 D562,083 S 2/2008 Lown et al.
 D562,128 S * 2/2008 van de Velde D9/420
 D567,596 S 4/2008 Chiang et al.
 D568,693 S 5/2008 Furlong
 D568,694 S 5/2008 Furlong
 D570,650 S 6/2008 Vovan
 D572,086 S 7/2008 Matsumoto et al.
 D573,015 S * 7/2008 Chen D9/427
 D573,846 S 7/2008 Moghavem
 D574,671 S 8/2008 Chiang et al.
 D575,113 S 8/2008 Chiang et al.
 D575,114 S 8/2008 Moghavem
 D588,450 S 3/2009 Snedden et al.
 D588,451 S 3/2009 Snedden et al.
 D589,346 S 3/2009 Hall
 D589,737 S 4/2009 Wang
 D590,706 S 4/2009 Doliwa et al.
 D595,572 S 7/2009 Snedden et al.
 D595,573 S 7/2009 Snedden et al.
 D600,111 S 9/2009 Gerulski et al.
 D601,858 S 10/2009 Snedden et al.
 D603,223 S 11/2009 Snedden et al.
 D603,654 S 11/2009 Snedden et al.

D604,605 S 11/2009 Chung et al.
 D605,502 S 12/2009 Honda et al.
 D606,402 S 12/2009 Diss
 D606,403 S 12/2009 Diss
 D606,404 S 12/2009 Diss
 D606,405 S 12/2009 Takata et al.
 D610,448 S 2/2010 Drozek et al.
 D628,062 S 11/2010 Snedden et al.
 D628,470 S 12/2010 Golota et al.
 D628,473 S 12/2010 Golota et al.
 D628,474 S 12/2010 Snedden et al.
 D628,475 S 12/2010 Snedden et al.
 D628,478 S 12/2010 Snedden et al.
 D628,479 S 12/2010 Snedden et al.
 D631,339 S 1/2011 Golota et al.
 D636,258 S 4/2011 Freeman et al.
 D637,483 S 5/2011 Snedden et al.
 D640,129 S 6/2011 Sifuentes et al.
 D640,544 S 6/2011 Sifuentes et al.
 D640,550 S 6/2011 Snedden et al.
 D643,309 S * 8/2011 Birchmeier et al. D9/759
 D646,564 S 10/2011 Freeman et al.
 D646,967 S 10/2011 Tamshe et al.
 D646,969 S 10/2011 Snedden et al.
 8,056,751 B2 * 11/2011 Vovan 220/300
 D652,716 S 1/2012 Snedden et al.
 D655,606 S 3/2012 Snedden et al.
 D660,144 S 5/2012 Shaver et al.
 D660,147 S 5/2012 Snedden et al.
 D666,904 S * 9/2012 Snedden et al. D9/424
 D672,231 S * 12/2012 Snedden et al. D9/424
 2004/0118737 A1 6/2004 Welsh et al.
 2009/0120937 A1 5/2009 Vovan
 2009/0173656 A1 7/2009 Furlong

OTHER PUBLICATIONS

Packaging Digest Advertisement, Nature Sweet Launches new tomato packaging, Oct. 13, 2011 @4:14:08 pm, webpage printout http://www.packagingdigest.com/article/519611-NatureSweet_launches_new_tomato_packaging.php.
 Nature Sweet Tomatoes (Our Products) Web Page Printout <http://naturesweet.com/#/our-products/Printed> Oct. 17, 2012, pp. 4 and 5 of 35 printed in Landscape orientation.

* cited by examiner

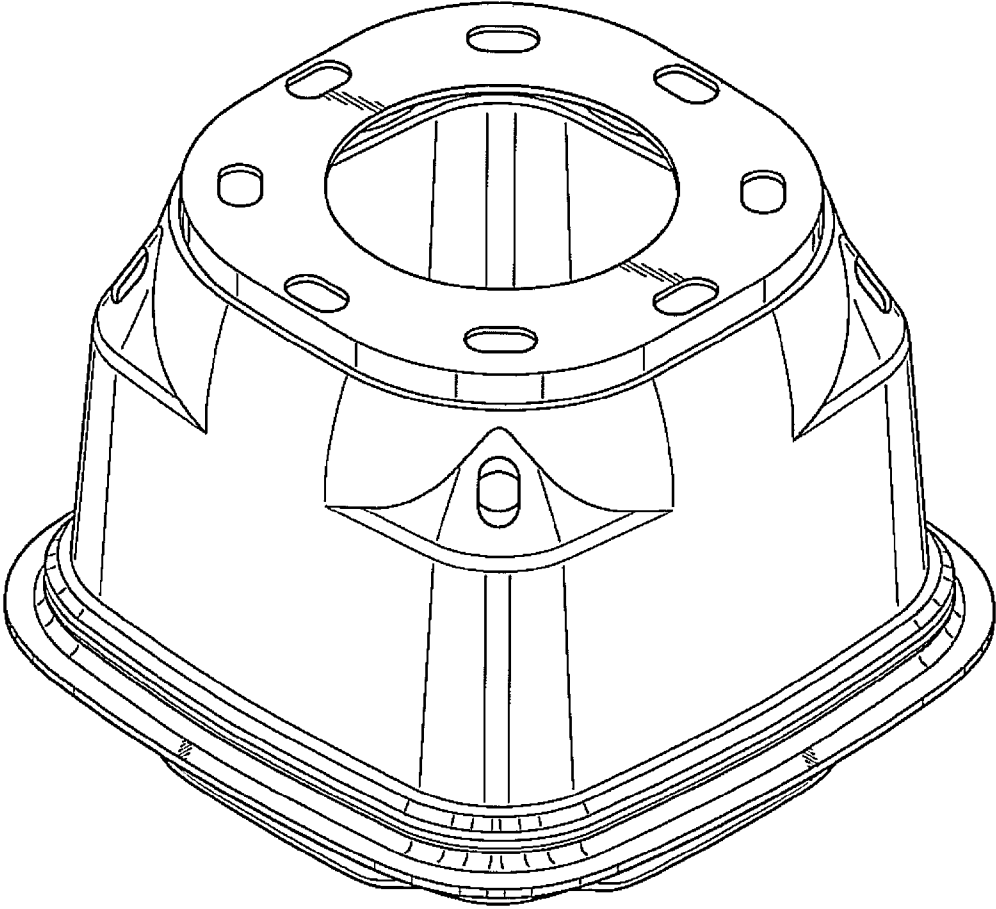


FIG. 1

FIG. 2

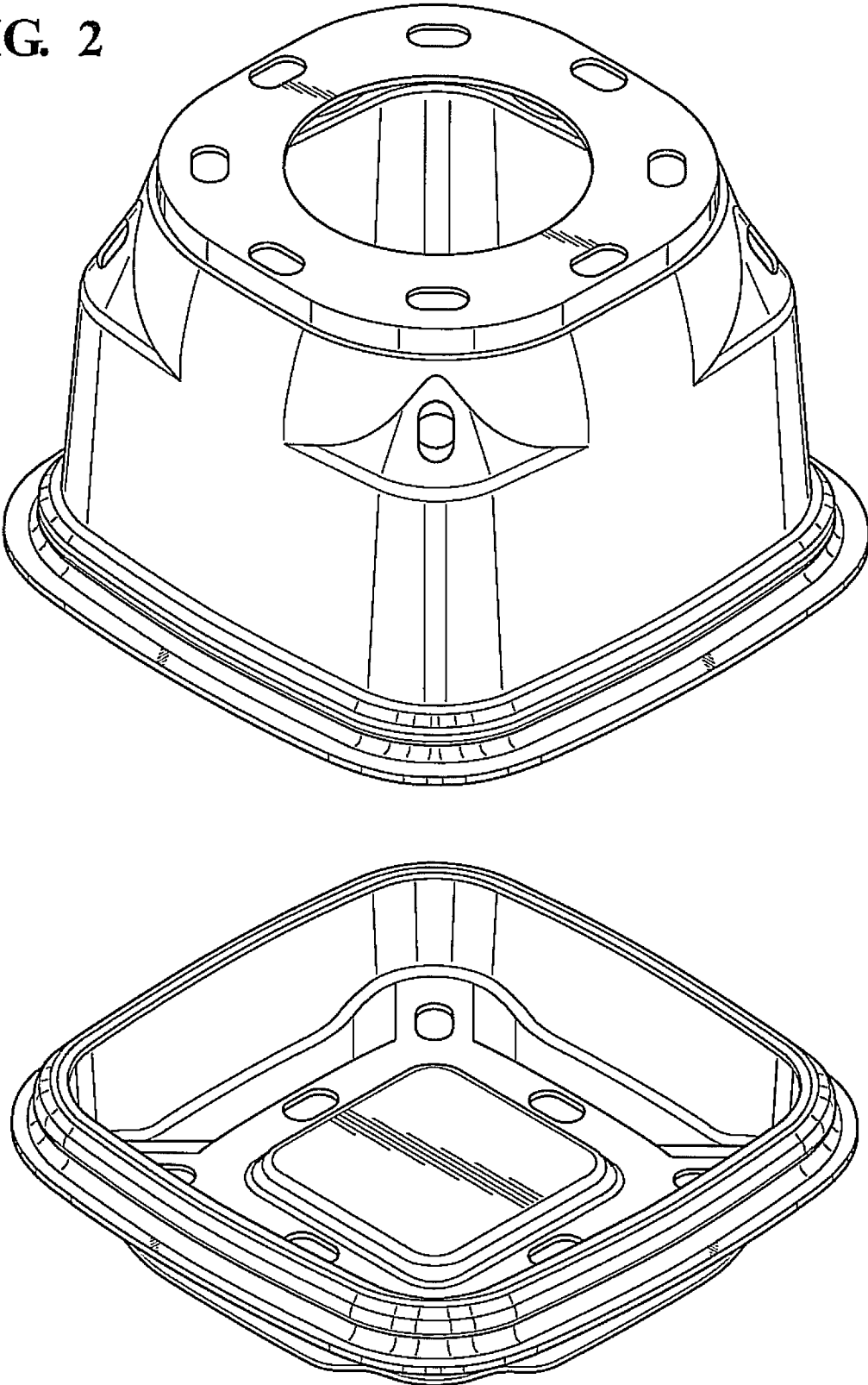


FIG. 3

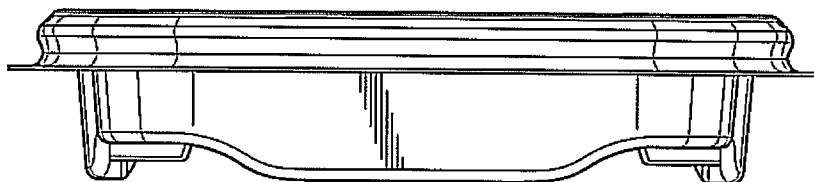
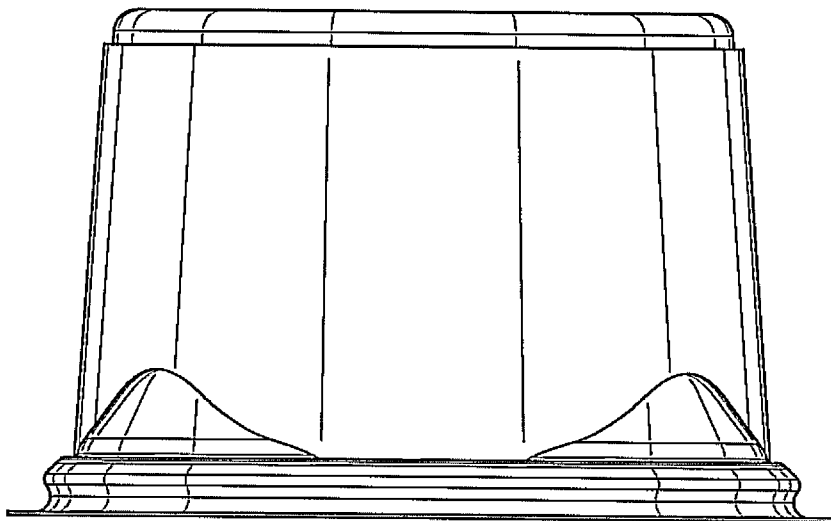


FIG. 4

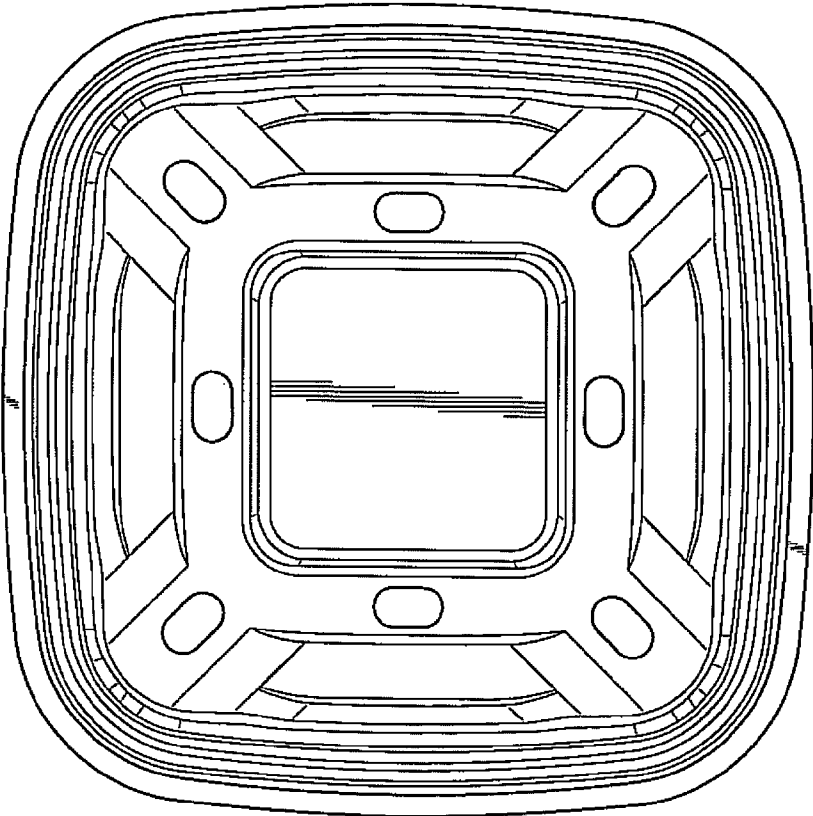
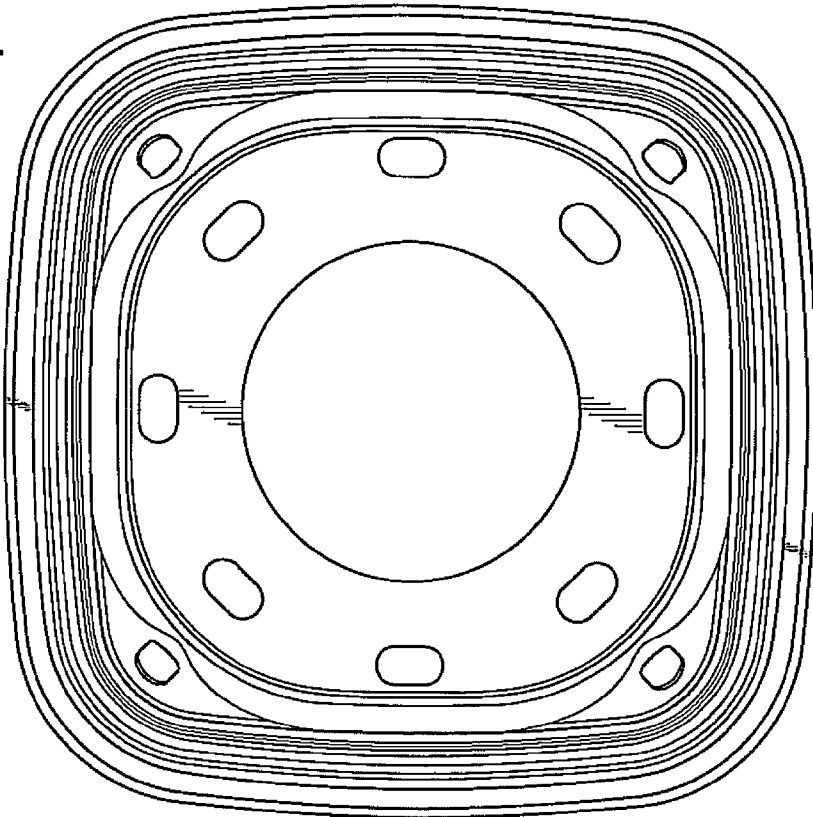


FIG. 5

