



US00D792249S

(12) **United States Design Patent**  
**Bosanac**

(10) **Patent No.:** **US D792,249 S**

(45) **Date of Patent:** **\*\* Jul. 18, 2017**

(54) **WALLPAPER LEVEL EDGE TOOL**

6,973,733 B2 12/2005 Levine  
7,117,606 B2\* 10/2006 Brown ..... G01C 9/28  
33/365  
D596,056 S \* 7/2009 Scheyer ..... D10/69  
7,743,522 B2 6/2010 Ruzio  
9,360,289 B2\* 6/2016 Harris ..... G01B 3/566

(71) Applicant: **Cecilia D. Bosanac**, Monroe, MI (US)

(72) Inventor: **Cecilia D. Bosanac**, Monroe, MI (US)

(73) Assignee: **Cecilia D. Bosanac**, Monroe, MI (US)

(\*\*) Term: **15 Years**

(21) Appl. No.: **29/556,299**

(22) Filed: **Feb. 29, 2016**

(51) **LOC (10) Cl.** ..... **10-04**

(52) **U.S. Cl.**  
USPC ..... **D10/62; D10/69**

(58) **Field of Classification Search**  
USPC ..... D10/62, 69  
CPC .... B44C 9/26; G01C 9/24; G01C 9/26; G01C  
9/28; G01C 9/30; G01C 9/32; G01C  
9/34; G01C 9/36  
See application file for complete search history.

(56) **References Cited**

**U.S. PATENT DOCUMENTS**

D189,590 S	1/1961	White	
D206,766 S	1/1967	Manville	
4,922,621 A *	5/1990	Maier	B25H 7/00
			33/451
5,279,041 A *	1/1994	Wright	G01C 9/28
			33/379
6,223,801 B1	5/2001	Mitchell	
6,240,650 B1 *	6/2001	Olson	B44C 7/08
			33/354
D460,924 S	7/2002	Hitchcock	
6,412,178 B1	7/2002	Vicedomini	
6,425,155 B1	7/2002	Carey	
D486,084 S *	2/2004	Kun, Sr.	D10/69
D488,729 S	4/2004	Golaszewski et al.	
D497,316 S *	10/2004	Kun, Sr.	D10/69

**FOREIGN PATENT DOCUMENTS**

GB 2190422 A 11/1987  
GB 2451462 A 2/2009

\* cited by examiner

*Primary Examiner* — Antoine D Davis

(74) *Attorney, Agent, or Firm* — Dinsmore & Shohl LLP;  
Douglas McEvoy

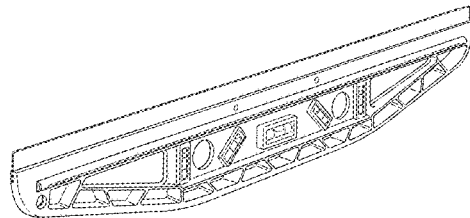
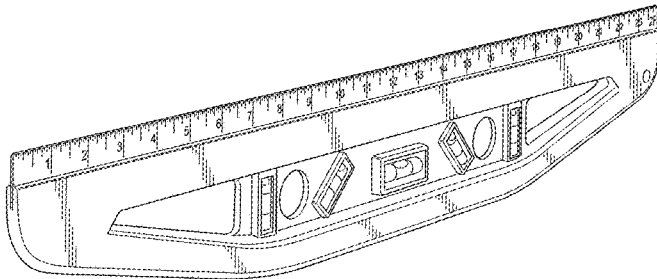
(57) **CLAIM**

The ornamental design for a wallpaper level edge tool, as shown and described.

**DESCRIPTION**

FIG. 1 is a perspective illustration of the present design; FIG. 2 is a further rotated perspective illustration of the present design; FIG. 3 is a first plan view illustration of the present design corresponding to the perspective view of FIG. 1; FIG. 4 is a second rotated plan view illustration of the present design corresponding to the perspective view of FIG. 2; FIG. 5 is a top view of the present design as shown in each of FIGS. 1-4; FIG. 6 is a right side plan view of the present design; FIG. 7 is a left side plan view of the present design; and, FIG. 8 is a bottom plan view of the present design as again shown in each of FIGS. 1-4.

**1 Claim, 4 Drawing Sheets**



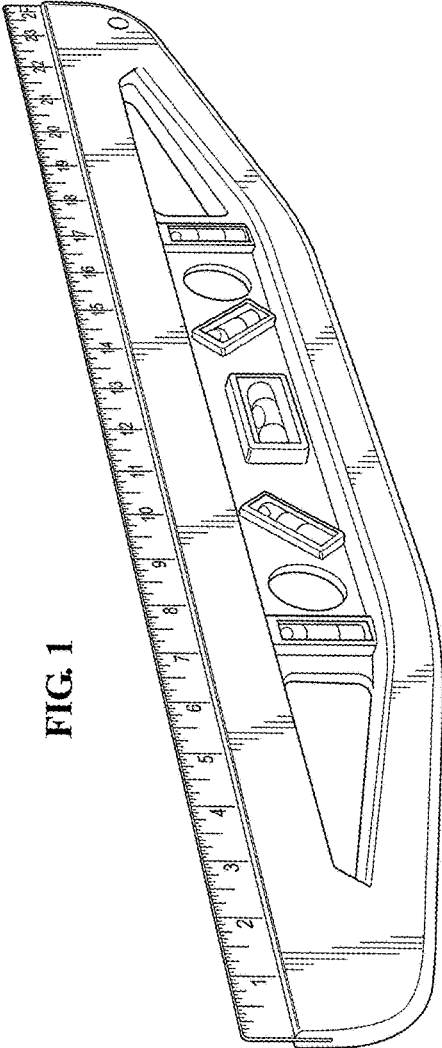


FIG. 1

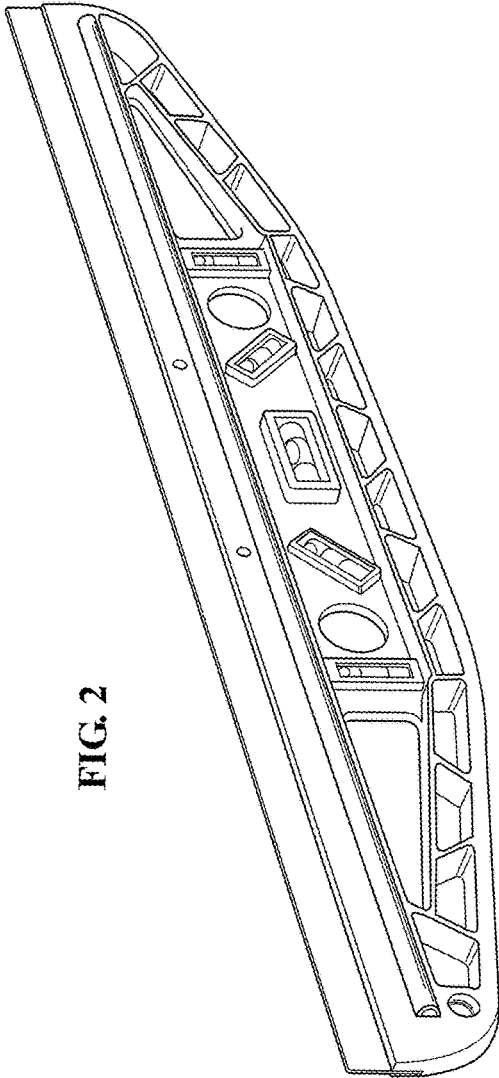


FIG. 2

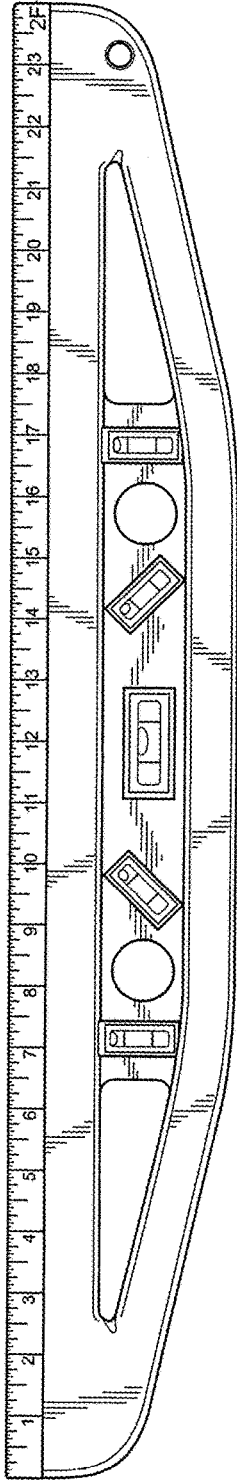


FIG. 3

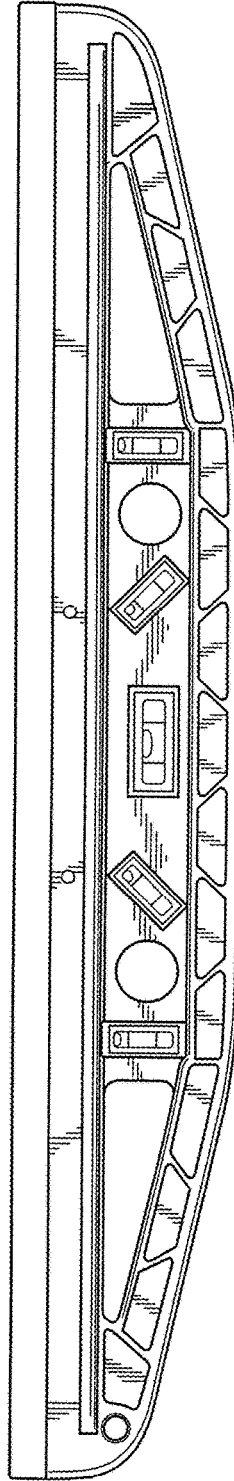


FIG. 4



FIG. 5



FIG. 7

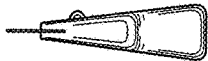


FIG. 6



FIG. 8