



US0D1024152S

(12) **United States Design Patent**
Harada et al.

(10) **Patent No.:** **US D1,024,152 S**

(45) **Date of Patent:** **** Apr. 23, 2024**

(54) **CUTTING TOOL**

(71) Applicant: **SUMITOMO ELECTRIC
HARDMETAL CORP.**, Itami (JP)

(72) Inventors: **Takashi Harada**, Itami (JP); **Naoki
Watanobe**, Itami (JP); **Satoru Kukino**,
Itami (JP); **Taisuke Higashi**, Itami (JP);
Rintaro Sugimoto, Itami (JP)

(73) Assignee: **SUMITOMO ELECTRIC
HARDMETAL CORP.**, Itami (JP)

(**) Term: **15 Years**

(21) Appl. No.: **29/849,975**

(22) Filed: **Aug. 16, 2022**

Related U.S. Application Data

(62) Division of application No. 29/759,612, filed on Nov. 24, 2020, now Pat. No. Des. 964,440.

(30) **Foreign Application Priority Data**

May 26, 2020 (JP) 2020-010278 D
May 26, 2020 (JP) 2020-010279 D
May 26, 2020 (JP) 2020-010280 D
May 26, 2020 (JP) 2020-010281 D

(Continued)

(51) **LOC (14) Cl.** **15-09**

(52) **U.S. Cl.**
USPC **D15/139**

(58) **Field of Classification Search**
USPC D8/20, 70; D15/126, 131, 138, 139, 140
CPC B23B 27/145; B23B 27/1622; B23B
2200/048; B23B 2200/204; B23B
2200/085; B23B 2200/0416; B23B

(Continued)

(56) **References Cited**

U.S. PATENT DOCUMENTS

D774,573 S 12/2016 Sharivker et al.
D792,489 S 7/2017 Sharivker et al.
(Continued)

OTHER PUBLICATIONS

Office Action dated Mar. 27, 2023 that issued in U.S. Appl. No. 29/849,937.

(Continued)

Primary Examiner — Patricia A Palasik

(74) *Attorney, Agent, or Firm* — Faegre Drinker Biddle & Reath LLP

(57) **CLAIM**

The ornamental design for a cutting tool, as shown and described.

DESCRIPTION

FIG. 1 is a front view of a cutting tool in accordance with an embodiment of the present design;

FIG. 2 is a rear view thereof;

FIG. 3 is a right side view thereof;

FIG. 4 is a left side view thereof;

FIG. 5 is a top view thereof;

FIG. 6 is a bottom view thereof;

FIG. 7 is a first perspective view thereof;

FIG. 8 is a second perspective view thereof;

FIG. 9 is a cross sectional view taken along line 9-9 of FIG. 1;

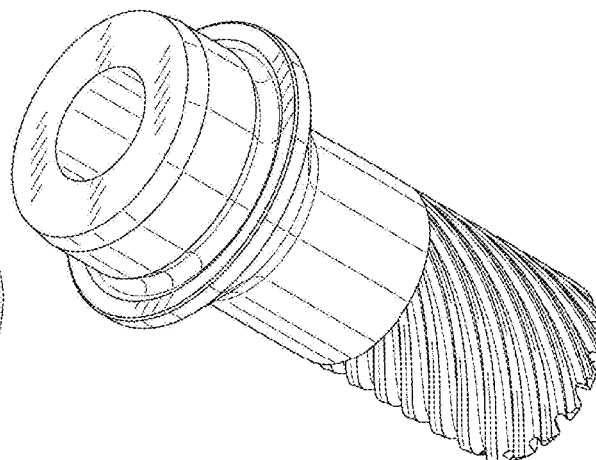
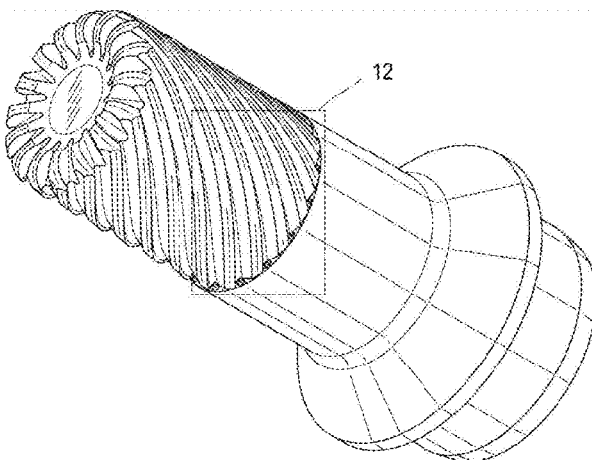
FIG. 10 is a cross sectional view taken along line 10-10 of FIG. 1;

FIG. 11 is a cross sectional view taken along line 11-11 of FIG. 4;

FIG. 12 is an enlarged view of portion 12 of FIG. 7; and,

FIG. 13 is a referential view showing the state in use thereof. The broken lines in the drawings depict portions of the cutting tool and environmental subject matter which form no part of the claimed design.

1 Claim, 7 Drawing Sheets



(30) Foreign Application Priority Data

May 26, 2020 (JP) 2020-010282 D
May 26, 2020 (JP) 2020-010283 D

D844,684 S 4/2019 Ojanen
D877,218 S 3/2020 Wu
D878,437 S 3/2020 Bono et al.
D878,438 S 3/2020 Bono et al.
10,682,712 B2 6/2020 Sharivker et al.
D900,893 S 11/2020 English
D960,214 S * 8/2022 Kukino D15/139
2010/0215447 A1 8/2010 Davis

(58) Field of Classification Search

CPC 2200/0423; B23B 2200/0477; B23B
2200/0494; B23C 5/205; B23C 5/207

See application file for complete search history.

OTHER PUBLICATIONS

(56) References Cited

U.S. PATENT DOCUMENTS

D793,460 S 8/2017 Sharivker et al.
D796,563 S 9/2017 Sharivker et al.
D797,170 S 9/2017 Sharivker et al.
9,878,379 B2 1/2018 Davis
D819,098 S 5/2018 Buhr et al.
D823,089 S 7/2018 Shikama

Office Action dated Mar. 27, 2023 that issued in U.S. Appl. No. 29/849,956.

Office Action dated Mar. 27, 2023 that issued in U.S. Appl. No. 29/850,104.

Office Action dated Mar. 27, 2023 that issued in U.S. Appl. No. 29/850,135.

* cited by examiner

FIG. 1

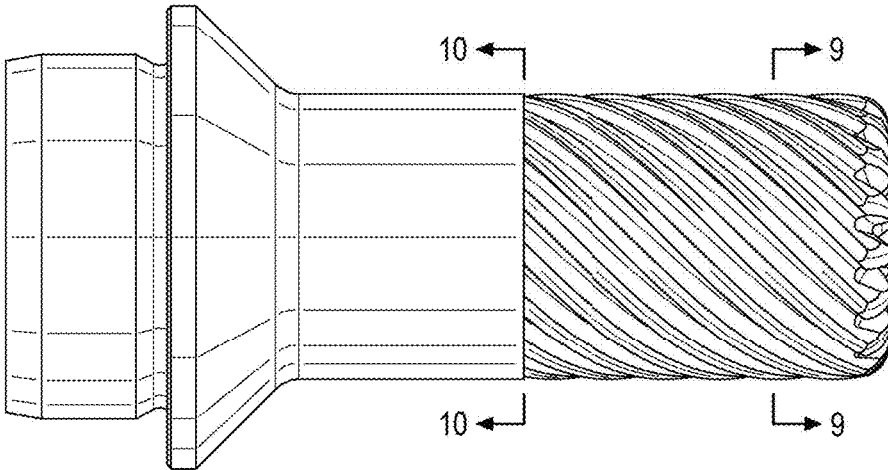


FIG. 2

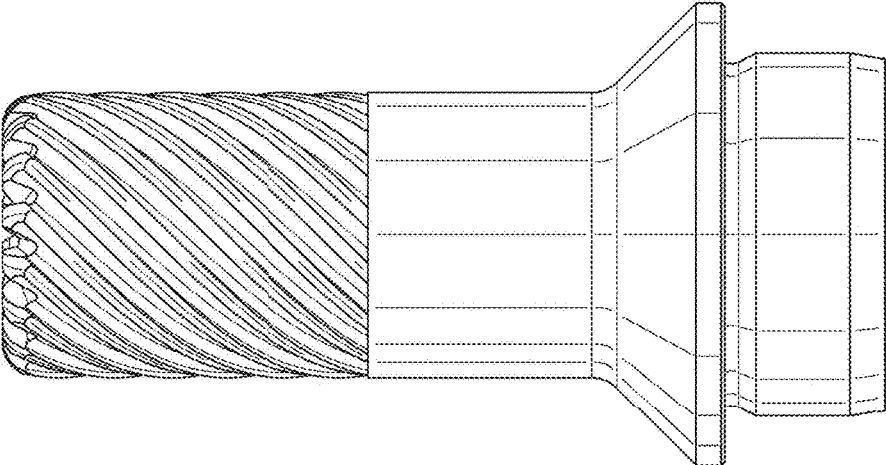


FIG. 3

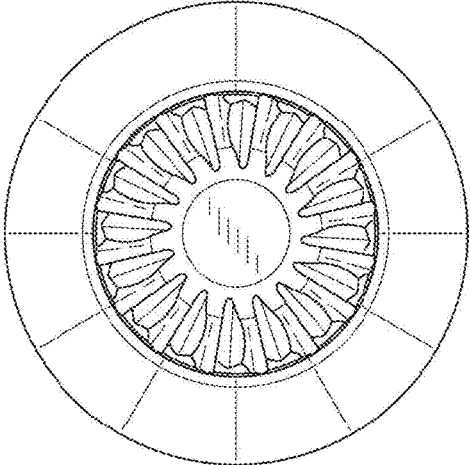


FIG. 4

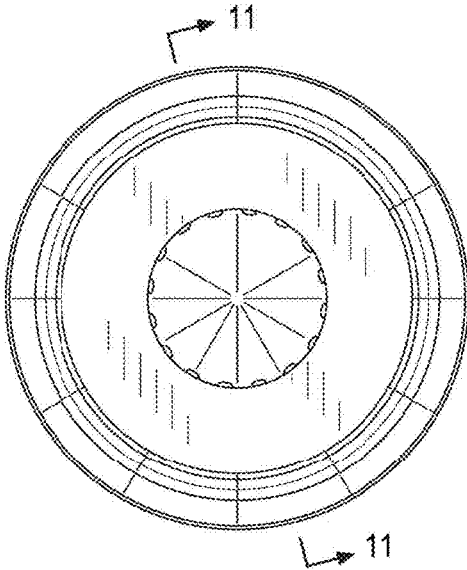


FIG. 5

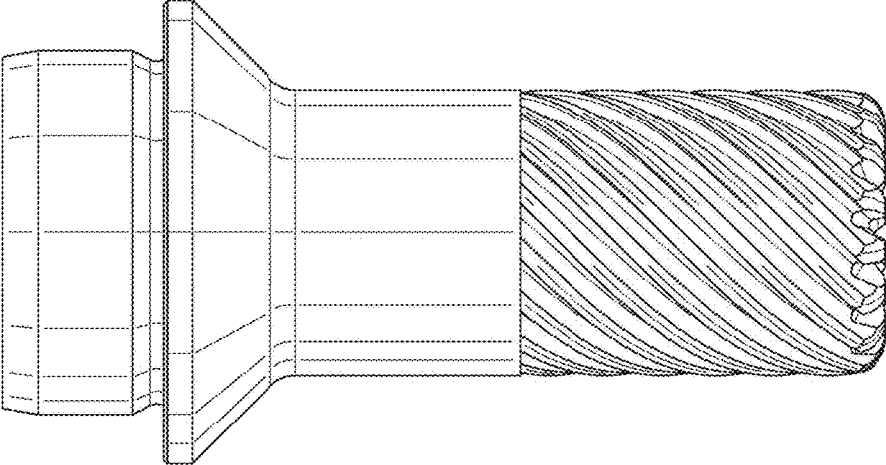


FIG. 6

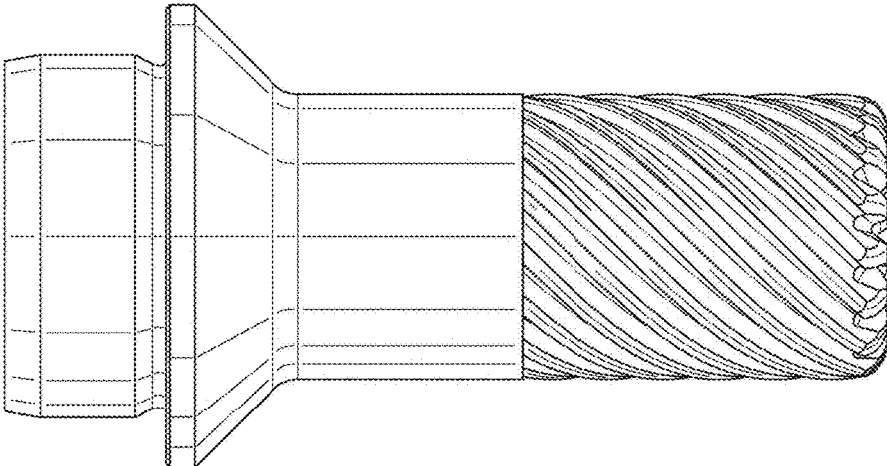


FIG. 7

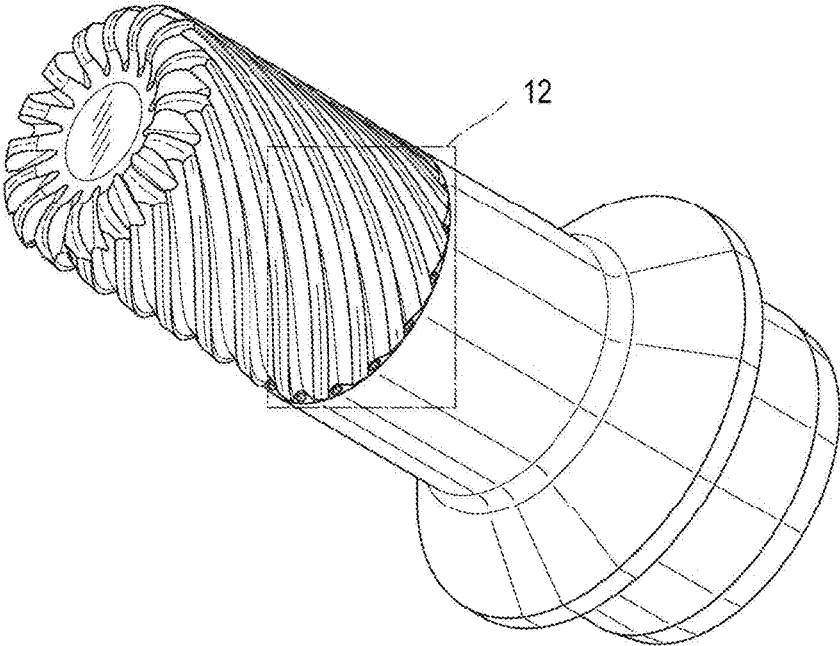


FIG. 8

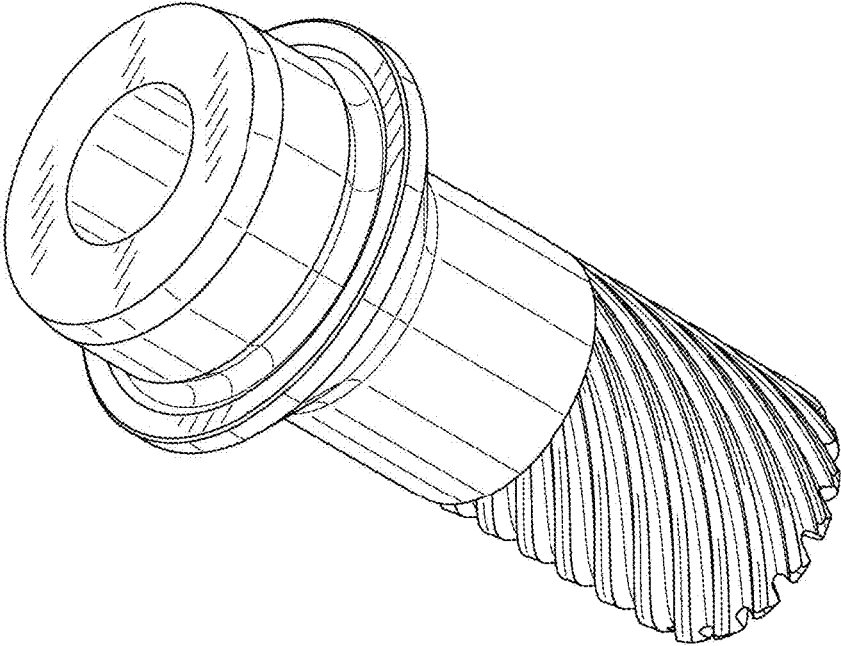


FIG. 9

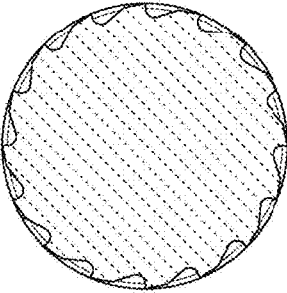


FIG. 10

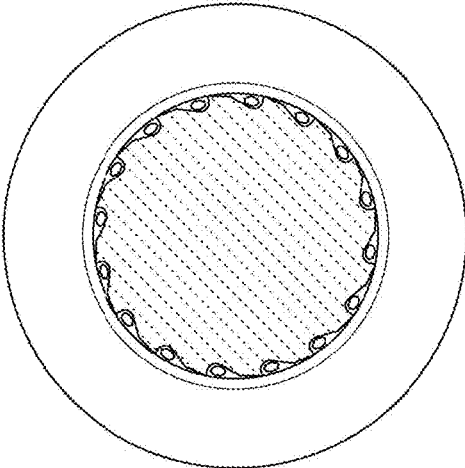


FIG. 11

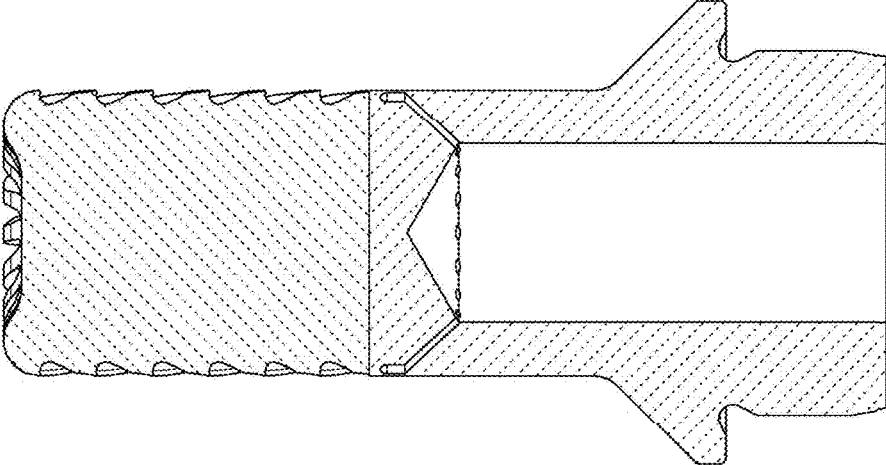


FIG. 12

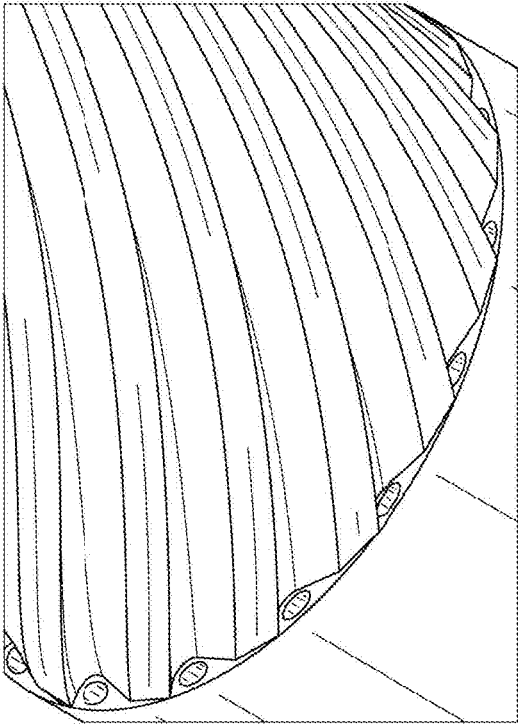


FIG. 13

