

(19) World Intellectual Property Organization
International Bureau



(43) International Publication Date
8 February 2001 (08.02.2001)

PCT

(10) International Publication Number
WO 01/10113 A3

(51) International Patent Classification⁷: H04L 12/28,
12/46, 12/54, 12/58, H04N 1/00

[CA/CA]; 221 Fell Avenue, Burnaby, British Columbia
V5B 3Y3 (CA).

(21) International Application Number: PCT/CA00/00881

(74) Agent: GREEN, Bruce, M.; Oyen Wiggs Green & Muta-
tala, 480 - 601 West Cordova Street, Vancouver, British Co-
lumbia V6B 1G1 (CA).

(22) International Filing Date: 26 July 2000 (26.07.2000)

(25) Filing Language: English

(26) Publication Language: English

(30) Priority Data:
09/361,420 27 July 1999 (27.07.1999) US

(81) Designated States (national): AE, AG, AL, AM, AT, AU,
AZ, BA, BB, BG, BR, BY, BZ, CA, CH, CN, CR, CU, CZ,
DE, DK, DM, DZ, EE, ES, FI, GB, GD, GE, GH, GM, HR,
HU, ID, IL, IN, IS, JP, KE, KG, KP, KR, KZ, LC, LK, LR,
LS, LT, LU, LV, MA, MD, MG, MK, MN, MW, MX, MZ,
NO, NZ, PL, PT, RO, RU, SD, SE, SG, SI, SK, SL, TJ, TM,
TR, TT, TZ, UA, UG, US, UZ, VN, YU, ZA, ZW.

(63) Related by continuation (CON) or continuation-in-part
(CIP) to earlier application:
US 09/361,420 (CON)
Filed on 27 July 1999 (27.07.1999)

(84) Designated States (regional): ARIPO patent (GH, GM,
KE, LS, MW, MZ, SD, SL, SZ, TZ, UG, ZW), Eurasian
patent (AM, AZ, BY, KG, KZ, MD, RU, TJ, TM), European
patent (AT, BE, CH, CY, DE, DK, ES, FI, FR, GB, GR, IE,
IT, LU, MC, NL, PT, SE), OAPI patent (BF, BJ, CF, CG,
CI, CM, GA, GN, GW, ML, MR, NE, SN, TD, TG).

(71) Applicant (for all designated States except US): GLOBAL
LEADING EDGE TECHNOLOGIES INC. [CA/CA];
1400 - 400 Burrard Street, Vancouver, British Columbia
V6L 3Y2 (CA).

(72) Inventor; and

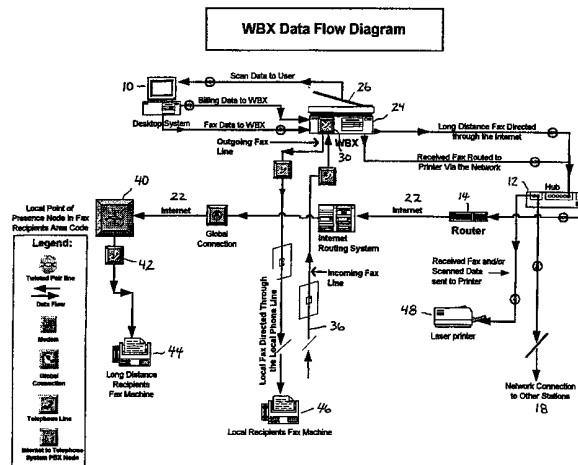
Published:

(75) Inventor/Applicant (for US only): LUKIC, Sasa

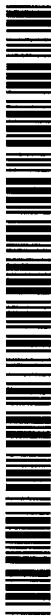
— With international search report.

[Continued on next page]

(54) Title: NETWORKED INTERNET FACSIMILE TRANSMISSION SYSTEM AND METHOD



(57) Abstract: The present invention provides a method of sending and receiving facsimile communications, comprising: a) providing a local area network comprising a plurality of user personal computer terminals (10) and a printer (48); b) providing a router (14) adapted to connect the local area network to the Internet; c) providing a fax controller connected to the local area network and comprising: i) a fax modem (30) connected to a public telephone line; ii) a scanner (26); iii) a computer (20) programmed with fax telecommunications software provided with an account number and password for an Internet fax service, and scanning and billing software; d) downloading the fax telecommunications software to one of the user terminals; e) preparing a fax communication at the user terminal, including a billing code; f) sending the fax communication through the fax modem (30) if the fax communication is to a local, and through the Internet router (14) to the Internet facsimile service if the fax communication is to a long distance number; g) storing on the fax controller billing information respecting the fax communication, including the billing code, the recipient fax number and the number of pages sent.



WO 01/10113 A3



(88) Date of publication of the international search report:
5 July 2001

For two-letter codes and other abbreviations, refer to the "Guidance Notes on Codes and Abbreviations" appearing at the beginning of each regular issue of the PCT Gazette.

INTERNATIONAL SEARCH REPORT

International Application No:
PCT/CA 00/00881

A. CLASSIFICATION OF SUBJECT MATTER
H04L12/28,H04L12/46,H04L12/54,H04L12/58,H04N1/00

According to International Patent Classification (IPC) or to both national classification and IPC⁷

B. FIELDS SEARCHED

Minimum documentation searched (classification system followed by classification symbols)
H04L,H04N

Documentation searched other than minimum documentation to the extent that such documents are included in the fields searched

Electronic data base consulted during the international search (name of data base and, where practical, search terms used)

C. DOCUMENTS CONSIDERED TO BE RELEVANT

Category*	Citation of document, with indication, where appropriate, of the relevant passages	Relevant to claim No.
X	DATABASE WPI Week 199651 Derwent Publications Ltd., London, GB; Class W01, AN 1996-511772 & JP 08 265232 A (CANON KK) 11 October 1996, abstract. --	1-11
X	US 5608786 A (GORDON) 04 March 1997, figs. abstract, column 3, lines 9-57. (cited in the application) --	1-11
X	DATABASE WPI Week 199828	1-11

Further documents are listed in the continuation of box C. Patent family members are listed in annex.

<p>* Special categories of cited documents:</p> <p>“A” document defining the general state of the art which is not considered to be of particular relevance</p> <p>“E” earlier document but published on or after the international filing date</p> <p>“L” document which may throw doubts on priority claim(s) or which is cited to establish the publication date of another citation or other special reason (as specified)</p> <p>“O” document referring to an oral disclosure, use, exhibition or other means</p> <p>“P” document published prior to the international filing date but later than the priority date claimed</p>	<p>“T” later document published after the international filing date or priority date and not in conflict with the application but cited to understand the principle or theory underlying the invention</p> <p>“X” document of particular relevance; the claimed invention cannot be considered novel or cannot be considered to involve an inventive step when the document is taken alone</p> <p>“Y” document of particular relevance; the claimed invention cannot be considered to involve an inventive step when the document is combined with one or more other such documents, such combination being obvious to a person skilled in the art.</p> <p>“&” document member of the same patent family</p>
--	--

Date of the actual completion of the international search <p style="text-align: center;">15 November 2000</p>	Date of mailing of the international search report <p style="text-align: center;">29. 01. 2001</p>
--	---

Name and mailing address of the ISA <p style="text-align: center;">European Patent Office, P.B. 5818 Patentlaan 2 NL - 2280 HV Rijswijk Tel. (+31-70) 340-2040, Tx. 31 651 epo nl, Fax: (+31-70) 340-3016</p>	Authorized officer <p style="text-align: center;">MESA-PASCASIO</p>
---	--

INTERNATIONAL SEARCH REPORT

International Application No.

- 2 -

PCT/CA 00/00881

C. (Continuation) DOCUMENTS CONSIDERED TO BE RELEVANT		
Category *	Citation of document, with indication, where appropriate, of the relevant passages	Relevant to claim No.
	Derwent Publications Ltd., London, GB; Class T01, AN 1998-209377 & JP 10 117210 A (RICOH KK) 06 May 1998, abstract. --	
X	WO 99/21351 A1 (ADOBE SYSTEMS INCORPORATED) 29 April 1999, figs., abstract, page 1, line 26 - page 3, line 7. (cited in the application) ----	1-11

ANHANG

Zum internationalen Recherchenbericht über die internationale Patentanmeldung Nr.

In diesem Anhang sind die Mitglieder der Patentfamilien der im obengenannten internationalen Recherchenbericht angeführten Patentdokumente angegeben. Diese Angaben dienen nur zur Unterrichtung und erfolgen ohne Gewähr.

ANNEX

To the International Search Report to the international Patent Application No.

PCT/CA 00/00881 SAE 296126

This annex lists the patent family members relating to the patent documents cited in the above-mentioned search report. The European Patent Office is in no way liable for these particulars which are merely given for the purpose of information.

ANNEXE

Au rapport de recherche international relatif à la demande de brevet international n°

La présente annexe indique les membres de la famille de brevets relatifs aux documents de brevets cités dans le rapport de recherche international visée ci-dessus. Les renseignements fournis sont donnés à titre indicatif et n'engagent pas la responsabilité de l' Office.

Im Recherchenbericht angeführte Patentdokumente Patent document cited in search report Document de brevet cité dans le rapport de recherche	Datum der Veröffentlichung Publication date Date de publication	Mitglied(er) der Patentfamilie Patent family member(s) Membre(s) de la famille de brevets	Datum der Veröffentlichung Publication date Date de publication
JP A2 8265232	11-10-1996	US A 6130885	10-10-2000
		JP A2 8265220	11-10-1996
		JP A2 8265231	11-10-1996
US A 5608786	04-03-1997	AU A1 42949/96	19-07-1996
		CA AA 2139081	24-06-1996
		CA C 2139081	02-02-1999
		CN A 1173260	11-02-1998
		EP A2 799543	08-10-1997
		JP T2 10511823	10-11-1998
		NZ A 297714	28-01-1999
		US A 6067350	23-05-2000
		WO A2 9620553	04-07-1996
		WO A3 9620553	12-09-1996
JP A2 10117210	06-05-1998	EP A2 836315	15-04-1998
		EP A3 836315	05-01-2000
		JP A2 10126551	15-05-1998
WO A1 9921351	29-04-1999	none	