



- (51) International Patent Classification:
A24B 3/12 (2006.01) *A24B 15/30* (2006.01)
- (21) International Application Number:
PCT/EP2012/053799
- (22) International Filing Date:
6 March 2012 (06.03.2012)
- (25) Filing Language:
English
- (26) Publication Language:
English
- (30) Priority Data:
1104311.4 15 March 2011 (15.03.2011) GB
- (71) Applicant (for all designated States except US): **BRITISH AMERICAN TOBACCO (INVESTMENTS) LIMITED** [GB/GB]; Globe House, 1 Water Street, London WC2R 3LA (GB).
- (72) Inventor; and
(75) Inventor/Applicant (for US only): **MCLELLAN, Andy** [GB/GB]; British American Tobacco (Investments) Limited, Globe House, 1 Water Street, London WC2R 3LA (GB).
- (74) Agents: **READ, Matthew** et al.; Venner Shipley LLP, 200 Aldersgate, London EC1A 4HD (GB).
- (81) Designated States (unless otherwise indicated, for every kind of national protection available): AE, AG, AL, AM,

AO, AT, AU, AZ, BA, BB, BG, BH, BR, BW, BY, BZ, CA, CH, CL, CN, CO, CR, CU, CZ, DE, DK, DM, DO, DZ, EC, EE, EG, ES, FI, GB, GD, GE, GH, GM, GT, HN, HR, HU, ID, IL, IN, IS, JP, KE, KG, KM, KN, KP, KR, KZ, LA, LC, LK, LR, LS, LT, LU, LY, MA, MD, ME, MG, MK, MN, MW, MX, MY, MZ, NA, NG, NI, NO, NZ, OM, PE, PG, PH, PL, PT, QA, RO, RS, RU, RW, SC, SD, SE, SG, SK, SL, SM, ST, SV, SY, TH, TJ, TM, TN, TR, TT, TZ, UA, UG, US, UZ, VC, VN, ZA, ZM, ZW.

- (84) Designated States (unless otherwise indicated, for every kind of regional protection available): ARIPO (BW, GH, GM, KE, LR, LS, MW, MZ, NA, RW, SD, SL, SZ, TZ, UG, ZM, ZW), Eurasian (AM, AZ, BY, KG, KZ, MD, RU, TJ, TM), European (AL, AT, BE, BG, CH, CY, CZ, DE, DK, EE, ES, FI, FR, GB, GR, HR, HU, IE, IS, IT, LT, LU, LV, MC, MK, MT, NL, NO, PL, PT, RO, RS, SE, SI, SK, SM, TR), OAPI (BF, BJ, CF, CG, CI, CM, GA, GN, GQ, GW, ML, MR, NE, SN, TD, TG).

Published:

- with international search report (Art. 21(3))
- before the expiration of the time limit for amending the claims and to be republished in the event of receipt of amendments (Rule 48.2(h))

- (88) Date of publication of the international search report:
8 November 2012

(54) Title: METHOD AND APPARATUS FOR IMPREGNATING TOBACCO INDUSTRY PRODUCTS WITH SENSATE CONSTITUENTS OF BOTANICALS

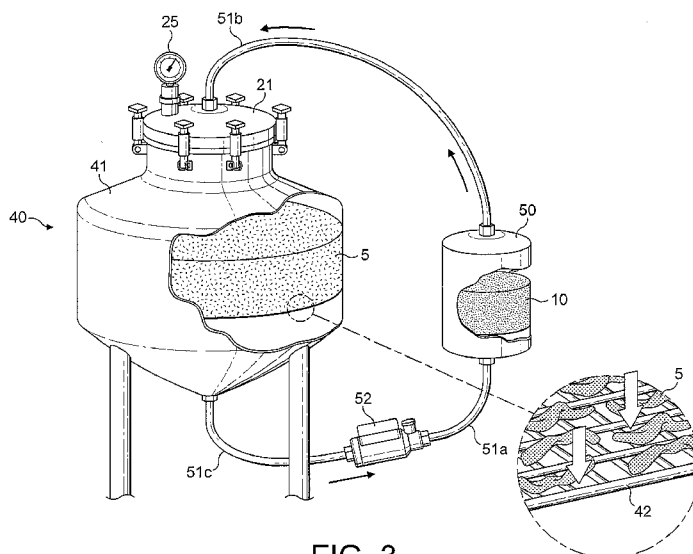


FIG. 3

(57) Abstract: A method and apparatus for impregnating tobacco industry products with sensate constituents of botanicals by storing the tobacco industry products and the botanicals separately and applying heat and/or pressure to the apparatus to obtain a modified taste and aroma profile, are disclosed.



INTERNATIONAL SEARCH REPORT

International application No.
PCT/EP2012/053799

Box No. II Observations where certain claims were found unsearchable (Continuation of item 2 of first sheet)

This international search report has not been established in respect of certain claims under Article 17(2)(a) for the following reasons:

1. Claims Nos.:
because they relate to subject matter not required to be searched by this Authority, namely:

2. Claims Nos.:
because they relate to parts of the international application that do not comply with the prescribed requirements to such an extent that no meaningful international search can be carried out, specifically:

3. Claims Nos.:
because they are dependent claims and are not drafted in accordance with the second and third sentences of Rule 6.4(a).

Box No. III Observations where unity of invention is lacking (Continuation of item 3 of first sheet)

This International Searching Authority found multiple inventions in this international application, as follows:

see additional sheet

1. As all required additional search fees were timely paid by the applicant, this international search report covers all searchable claims.

2. As all searchable claims could be searched without effort justifying an additional fees, this Authority did not invite payment of additional fees.

3. As only some of the required additional search fees were timely paid by the applicant, this international search report covers only those claims for which fees were paid, specifically claims Nos.:

4. No required additional search fees were timely paid by the applicant. Consequently, this international search report is restricted to the invention first mentioned in the claims; it is covered by claims Nos.:

Remark on Protest

- The additional search fees were accompanied by the applicant's protest and, where applicable, the payment of a protest fee.
- The additional search fees were accompanied by the applicant's protest but the applicable protest fee was not paid within the time limit specified in the invitation.
- No protest accompanied the payment of additional search fees.

INTERNATIONAL SEARCH REPORT

International application No
PCT/EP2012/053799

A. CLASSIFICATION OF SUBJECT MATTER
INV. A24B3/12 A24B15/30
ADD.

According to International Patent Classification (IPC) or to both national classification and IPC

B. FIELDS SEARCHED

Minimum documentation searched (classification system followed by classification symbols)
A24B

Documentation searched other than minimum documentation to the extent that such documents are included in the fields searched

Electronic data base consulted during the international search (name of data base and, where practicable, search terms used)

EPO-Internal, WPI Data

C. DOCUMENTS CONSIDERED TO BE RELEVANT

Category*	Citation of document, with indication, where appropriate, of the relevant passages	Relevant to claim No.
X A	US R E29 298 E (BROWN & WILLIAMSON TOBACCO) 12 July 1977 (1977-07-12) column 2, lines 28-39 column 4, lines 4-54 figure 1	1,6,7 17,23
X A	US 3 548 838 A (KEY ROBERT L ET AL) 22 December 1970 (1970-12-22) column 1, line 44 - column 2, line 18; figures	1,6,7 17,23
A	US 3 419 015 A (WALDEMAR WOCHNOWSKI) 31 December 1968 (1968-12-31) abstract	1,17
A	US R E32 013 E (PHILIP MORRIS INC.) 29 October 1985 (1985-10-29) abstract; figures	1,4,17, 20
	----- -/--	

Further documents are listed in the continuation of Box C.

See patent family annex.

* Special categories of cited documents :

"A" document defining the general state of the art which is not considered to be of particular relevance

"E" earlier application or patent but published on or after the international filing date

"L" document which may throw doubts on priority claim(s) or which is cited to establish the publication date of another citation or other special reason (as specified)

"O" document referring to an oral disclosure, use, exhibition or other means

"P" document published prior to the international filing date but later than the priority date claimed

"T" later document published after the international filing date or priority date and not in conflict with the application but cited to understand the principle or theory underlying the invention

"X" document of particular relevance; the claimed invention cannot be considered novel or cannot be considered to involve an inventive step when the document is taken alone

"Y" document of particular relevance; the claimed invention cannot be considered to involve an inventive step when the document is combined with one or more other such documents, such combination being obvious to a person skilled in the art

"&" document member of the same patent family

Date of the actual completion of the international search	Date of mailing of the international search report
13 September 2012	20/09/2012

Name and mailing address of the ISA/ European Patent Office, P.B. 5818 Patentlaan 2 NL - 2280 HV Rijswijk Tel. (+31-70) 340-2040, Fax: (+31-70) 340-3016	Authorized officer Kock, Søren
--	---------------------------------------

INTERNATIONAL SEARCH REPORT

International application No

PCT/EP2012/053799

C(Continuation). DOCUMENTS CONSIDERED TO BE RELEVANT		
Category*	Citation of document, with indication, where appropriate, of the relevant passages	Relevant to claim No.
A	US 3 693 631 A (MOORE ARNOLD G ET AL) 26 September 1972 (1972-09-26) column 1, lines 37-45 column 3, line 17 - column 4, line 8 claim 1 figure -----	11-16, 27-32

INTERNATIONAL SEARCH REPORT

Information on patent family members

International application No

PCT/EP2012/053799

Patent document cited in search report	Publication date	Patent family member(s)	Publication date
US RE29298	E	12-07-1977	NONE

US 3548838	A	22-12-1970	NONE

US 3419015	A	31-12-1968	DE 1532058 A1 12-02-1970
		GB 1166296 A	08-10-1969
		NL 6700387 A	17-07-1967
		SE 326394 B	20-07-1970
		US 3419015 A	31-12-1968

US RE32013	E	29-10-1985	NONE

US 3693631	A	26-09-1972	AU 432710 B2 08-03-1973
		AU 3735271 A	08-03-1973
		BE 777252 A4	26-06-1972
		CA 955490 A1	01-10-1974
		CH 580393 A5	15-10-1976
		CS 197343 B2	30-04-1980
		DE 2203105 A1	02-11-1972
		DK 134501 B	22-11-1976
		ES 401456 A2	16-02-1975
		FI 52011 B	28-02-1977
		GB 1356065 A	12-06-1974
		GT 197122835 A	11-05-1973
		HU 163923 B	28-11-1973
		IE 35925 B1	23-06-1976
		IT 1008520 B	30-11-1976
		JP 51019039 B	14-06-1976
		LU 64556 A1	23-08-1972
		NL 7200074 A	31-10-1972
		NO 128092 B	01-10-1973
		PL 83373 B1	31-12-1975
		RO 66356 A1	15-07-1980
		SE 383952 B	12-04-1976
		SU 661994 A3	05-05-1979
		US 3693631 A	26-09-1972
		YU 20372 A	18-09-1978
		ZA 7107885 A	30-08-1972

FURTHER INFORMATION CONTINUED FROM PCT/ISA/ 210

This International Searching Authority found multiple (groups of) inventions in this international application, as follows:

1. claims: 1-10, 17-26

A method and apparatus for impregnating a tobacco industry product with a sensate constituent of a botanical, the apparatus comprising a first portion for receiving the tobacco industry product and a second portion for receiving the botanical, wherein the tobacco industry product becomes impregnated by the sensate constituent of the botanical when the first portion is pressurised and the sensate constituent is released into the first portion.

2. claims: 11-16, 27-32

An apparatus and method for impregnating a tobacco industry product with a sensate constituent of a botanical, the apparatus comprising a botanical storage chamber, a vapour source and a tobacco storage chamber, wherein the vapour source is disposed relative to the botanical storage chamber so that, in use, vapour passes through botanicals stored in the botanical storage chamber and impregnates tobacco stored in the tobacco storage chamber with sensate constituents of the botanical.
