

(19) World Intellectual Property Organization
International Bureau



(43) International Publication Date
15 May 2008 (15.05.2008)

PCT

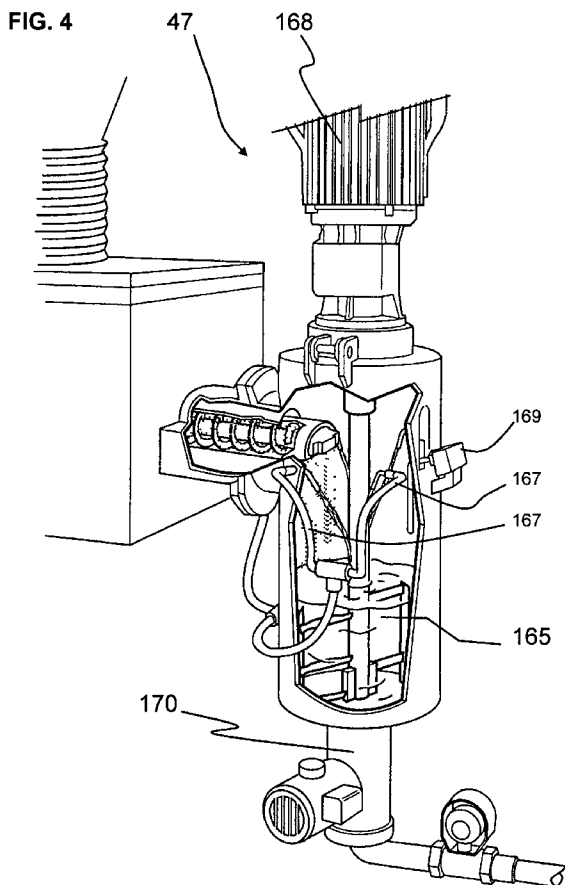
(10) International Publication Number
WO 2008/057275 A3

- (51) **International Patent Classification:**
B28C 5/16 (2006.01) B28C 7/10 (2006.01)
- (21) **International Application Number:**
PCT/US2007/022695
- (22) **International Filing Date:** 26 October 2007 (26.10.2007)
- (25) **Filing Language:** English
- (26) **Publication Language:** English
- (30) **Priority Data:**
11/555,658 1 November 2006 (01.11.2006) US
- (71) **Applicant (for all designated States except US): UNITED STATES GYPSUM COMPANY [-/US];** 550 W. Adams Street, Chicago, IL 60661-3676 (US).
- (72) **Inventors; and**
- (75) **Inventors/Applicants (for US only): FRANK, William, A.** [US/US]; 21745 W. Brentwood Lane, Lake Villa, IL 60046 (US). **GEORGE, Lloyd, M.** [CA/CA]; 126 Eagle Creek Road, West Bay, Nova Scotia, BOE IKO (CA). **STIVENDER, Eugene, Scott** [US/US]; 56 West Royal Oaks Drive, Bristol, IL 60512 (US).

- (74) **Agent: VENTURINO, Anthony, P.;** Stevens, Davis, Miller & Mosher, LLP, 1615 L Street N.W., Suite 850, Washington, DC 20036 (US).
- (81) **Designated States (unless otherwise indicated, for every kind of national protection available):** AE, AG, AL, AM, AT, AU, AZ, BA, **BB**, BG, **BH**, **BR**, BW, BY, BZ, CA, CH, CN, CO, CR, CU, CZ, DE, **DK**, DM, DO, DZ, EC, EE, EG, ES, FI, GB, GD, GE, GH, GM, GT, HN, **HR**, HU, **ID**, **IL**, IN, **IS**, **JP**, KE, KG, KM, KN, **KP**, **KR**, KZ, LA, LC, LK, LR, LS, LT, LU, LY, MA, MD, ME, MG, MK, MN, MW, MX, MY, MZ, NA, NG, NI, NO, NZ, OM, PG, **PH**, PL, PT, **RO**, RS, RU, SC, SD, SE, SG, SK, SL, SM, SV, SY, TJ, TM, TN, TR, TT, TZ, UA, UG, US, UZ, VC, VN, ZA, ZM, ZW
- (84) **Designated States (unless otherwise indicated, for every kind of regional protection available):** ARIPO (BW, GH, GM, KE, LS, MW, MZ, NA, SD, SL, SZ, TZ, UG, ZM, ZW), Eurasian (AM, AZ, BY, KG, KZ, MD, RU, TJ, TM), European (AT, BE, BG, CH, CY, CZ, DE, **DK**, EE, ES, FI, FR, GB, GR, HU, IE, **IS**, **IT**, LT, LU, LV, MC, MT, NL, PL,

[Continued on next page]

(54) **Title:** APPARATUS AND METHOD FOR MIXING SLURRY FOR CEMENT PANELS



(57) **Abstract:** A wet mixer apparatus (47) and method for its use, the mixer having a vertical mixing chamber (165) for forming a wet slurry of a cementitious slurry and water. The vertical mixing chamber is designed to provide the required amount of mixing to provide thoroughly mixed, uniformly thin slurry within a mixing residence time that allows for adequate supply of slurry to ensure continuous operation of an associated cement panel production line (10). Gravity feeding (160) for separate supply of cementitious powder and water to the slurry mixing area of the chamber without pre-mixing of the powder and water is also disclosed.

WO 2008/057275 A3



PT, RO, SE, SI, SK, TR), OAPI (BF, BJ, CF, CG, CI, CM,
GA, GN, GQ, GW, ML, MR, NE, SN, TD, TG).

— *before the expiration of the time limit for amending the
claims and to be republished in the event of receipt of
amendments*

Published:

— *with international search report*

(88) Date of publication of the international search report:

16 October 2008

INTERNATIONAL SEARCH REPORT

International application No

PCT/US07/2269₅

A. CLASSIFICATION OF SUBJECT MATTER
 IPC- B28C 5/16(2006.01),7/10(2006 01)

 USPC: 366/18,20,35,51,65,141, 153.1,156.1,325.8;156/39
 According to International Patent Classification (IPC) or to both national classification and IPC

B. FIELDS SEARCHED

Minimum documentation searched (classification system followed by classification symbols)
 U.S. : 366/18, 20, 35, 38, 51, 65, 141, 153.1, 156.1, 178.1, 178.2, 325 8, 325.92; 156/39

Documentation searched other than minimum documentation to the extent that such documents are included in the fields searched
 None

Electronic data base consulted during the international search (name of data base and, where practicable, search terms used)
 EAST search terms: screw, auger, weight, load

C. DOCUMENTS CONSIDERED TO BE RELEVANT

Category *	Citation of document, with indication, where appropriate, of the relevant passages	Relevant to claim No.
X	US 4,506,982 A (SMITHERS et al.) 26 March 1985 (26.03.1985), see entire document.	1-5, 8
Y	US 5,660,466 A (HOPSON et al.) 26 August 1997 (26.08.1997), col. 3, lines 30-36; col. 3, line 51 - col. 4, line 8; col. 6, lines 26-40.	6
Y	US 4,778,277 A (KRATZ et al) 18 October 1988 (18.10.1988), col. 1, lines 32-54.	7
Y	US 3,166,302 A (DIXON et al.) 19 January 1965 (19.01.1965), col. 1, line 61 - col. 2, line 5.	9, 13
Y	US 6,039,470 A (CONWELL) 21 March 2000 (21.03.2000), col. 6, lines 21-40	10
Y	US 2005/0024988 A1 (HOFF et al.) 03 February 2005 (03.02.2005), paragraphs [0031], [0035] - [0036], [0041] - [0044]	11-12
A	US 4,288,263 A (DELCOIGNE et al.) 08 September 1981 (08.09.1981), see entire document.	14-25

Further documents are listed in the continuation of Box C See patent family annex.

Special categories of cited documents	T	later document published after the international filing date or priority date and not in conflict with the application but cited to understand the principle or theory underlying the invention
"A" document defining the general state of the art which B not considered to be of particular relevance	"X"	document of particular relevance, the claimed invention cannot be considered novel or cannot be considered to involve an inventive step when the document is taken alone
"E" earlier application or patent published on or after the international filing date	"V"	document of particular relevance, the claimed invention cannot be considered to involve an inventive step when the document is combined with one or more other such documents, such combination being obvious to a person skilled in the art
"L" document which may throw doubts on priority claim(s) or which is cited to establish the publication date of another citation or other special reason (as specified)	"&"	document member of the same patent family
"O" document referring to an oral disclosure, use, exhibition or other means		
"P" document published prior to the international filing date but later than the priority date claimed		

Date of the actual completion of the international search: 31 July 2008 (31.07.2008)
 Date of mailing of the international search report: **18 AUG 2008**

Name and mailing address of the ISA/US:
 Mail Stop PCT, Attn: ISA/US
 Commissioner for Patents
 P.O. Box 1450
 Alexandria, Virginia 223 13-1450
 Facsimile No. (571) 273-3201

Ajaho/iztd office
 Charles V. Coorey f/ i
 Telephone No. (571) 272-1700