

(19) World Intellectual Property Organization
International Bureau



(43) International Publication Date
19 June 2008 (19.06.2008)

PCT

(10) International Publication Number
WO 2008/073152 A3

- (51) **International Patent Classification:**
F17C 9/02 (2006.01) E02B 17/08 (2006.01)
B65D 88/78 (2006.01)
- (21) **International Application Number:**
PCT/US2007/0 16546
- (22) **International Filing Date:** 23 July 2007 (23.07.2007)
- (25) **Filing Language:** English
- (26) **Publication Language:** English
- (30) **Priority Data:**
60/843,729 11 September 2006 (11.09.2006) US
- (71) **Applicant (for all designated States except US):** **EXXON-MOBIL UPSTREAM RESEARCH COMPANY** [US/US]; P.O. Box 2189, CORP-URC-SW337, Houston, TX 77252-2189 (US).
- (72) **Inventors; and**
- (75) **Inventors/Applicants (for US only):** **EHRHARDT, Mark, E.** [US/US]; 11919 Normont Drive, Houston, TX 77070 (US). **MATHEWS, William, S.** [US/US]; 10 Sedgewick Place, The Woodlands, TX 77479 (US). **RYMER, Dawn, L.** [US/US]; 8313 Diamond Way Court, Pearland, TX 77584 (US). **SIBAL, Paul, W** [US/US]; 7 Heaven Tree Place, The Woodlands, TX 77382-5333 (US). **SANDSTROM, Robert, E.** [US/US]; 26 St. Simon Court, Sugar Land, TX 77479 (US). **WILSON, W, Brett** [US/US]; 25610 Crisp Spring Lane, Spring, TX 77373 (US). **DANACZKO, Mark, A.** [US/US]; 2016 Dunstan Road, Houston, TX 77005 (US). **DENTON, Robert, D.** [US/QA]; 18 Curlew Al-Jazi Gardens, Doha (QA). **FOGLESONG, Robert, E.** [US/US]; 2927 West Dallas, Houston, TX 77019 (US).

- (74) **Agents:** **BROWN, Adam, P.** et al.; Exxonmobil Upstream Research Company, P.O. Box 2189, CORP-URC-SW337, Houston, TX 77252-2189 (US).
- (81) **Designated States (unless otherwise indicated, for every kind of national protection available):** AE, AG, AL, AM, AT, AU, AZ, BA, BB, BG, BH, BR, BW, BY, BZ, CA, CH, CN, CO, CR, CU, CZ, DE, DK, DM, DO, DZ, EC, EE, EG, ES, FI, GB, GD, GE, GH, GM, GT, HN, HR, HU, ID, IL, IN, IS, JP, KE, KG, KM, KN, KP, KR, KZ, LA, LC, LK, LR, LS, LT, LU, LY, MA, MD, ME, MG, MK, MN, MW, MX, MY, MZ, NA, NG, NI, NO, NZ, OM, PG, PH, PL, PT, RO, RS, RU, SC, SD, SE, SG, SK, SL, SM, SV, SY, TJ, TM, TN, TR, TT, TZ, UA, UG, US, UZ, VC, VN, ZA, ZM, ZW
- (84) **Designated States (unless otherwise indicated, for every kind of regional protection available):** ARIPO (BW, GH, GM, KE, LS, MW, MZ, NA, SD, SL, SZ, TZ, UG, ZM, ZW), Eurasian (AM, AZ, BY, KG, KZ, MD, RU, TJ, TM), European (AT, BE, BG, CH, CY, CZ, DE, **DK**, EE, ES, FI, FR, GB, GR, HU, IE, **IS**, **IT**, LT, LU, LV, MC, MT, NL, PL, PT, **RO**, SE, **SI**, SK, TR), OAPI (BF, **BJ**, CF, CG, CI, CM, GA, GN, GQ, GW, ML, **MR**, NE, SN, TD, TG).

Declarations under Rule 4.17:

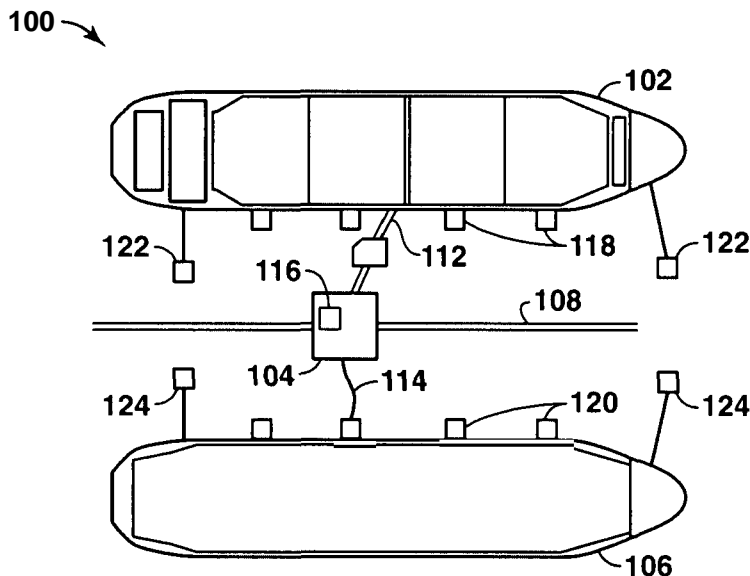
- as to applicant's entitlement to apply for and be granted a patent (Rule 4.17(U))
- as to the applicant's entitlement to claim the priority of the earlier application (Rule 4.17(Ui))

Published:

- with international search report

[Continued on next page]

(54) **Title:** OPEN-SEA BERTH LNG IMPORT TERMINAL



(57) **Abstract:** Methods and systems for receiving liquefied natural gas (LNG) and delivering vaporized natural gas to a pipeline in fluid communication with onshore equipment and methods for importing LNG. In one embodiment, an open-sea berth import terminal includes a platform, which is fixed to the sea floor and includes two or more sets of berthing structures. LNG carriers berth at the open-sea berth import terminal to transfer LNG to a storage vessel moored at one of the berthing structures. LNG vaporization facilities, either on the storage vessel or the platform, vaporize the LNG prior to delivery to the pipeline. The storage vessel may include a barge or another LNG carrier. In other embodiments, the open-sea berth import terminal may have no storage facilities, but two LNG carriers may berth at the berthing structures to concurrently perform offloading operations, with one transferring LNG and the

other performing other offloading operations to enhance operations.



WO 2008/073152 A3



(88) Date of publication of the international search report:
9 October 2008

INTERNATIONAL SEARCH REPORT

International application No

PCT/US07/ 16546

A CLASSIFICATION OF SUBJECT MATTER
 IPC **F17C 9/02(2006 01),B65D 88/78(2006 01),E02B 17/08(2006 01)**

USPC 62/50 2,1 14/256,405/203
 According to International Patent Classification (IPC) or to both national classification and IPC

B FIELDS SEARCHED

Minimum documentation searched (classification system followed by classification symbols)
 U S 62/50 2, 114/256, 405/203

Documentation searched other than minimum documentation to the extent that such documents are included in the fields searched
 None

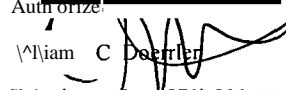
Electronic data base consulted during the international search (name of data base and, where practicable, search terms used)
 None

C DOCUMENTS CONSIDERED TO BE RELEVANT

Category *	Citation of document, with indication, where appropriate, of the relevant passages	Relevant to claim No
Y	US 2005/0 115248 A1 (KOEHLER et al) 02 June 2005 (02 06 2005), see entire document	1-62
Y	US 6,546,739 B2 (FRIMM et al) 15 April 2003 (15 04 2003), see entire document	1-62
Y	US 2003/0 136132 A1 (HARLEY et al) 24 July 2003 (24 07 2003), see entire document	1-62
Y	US 3,766,583 A (PHELPS) 23 October 1973 (23 10 1973), see entire document	1-62
E, Y	US 2007/01441 84 A1 (WIJINGAARDEN et al) 28 June 2007 (28 06 2007), see figure 8 and figure 7	1-62
A	US 2006/0156744 A1 (CUSITER et al) 20 July 2006 (20 07 2006), see entire document	

Further documents are listed in the continuation of Box C See patent family annex

<ul style="list-style-type: none"> • Special categories of cited documents 'A' document defining the general state of the art which is not considered to be of particular relevance E' earlier application or patent published on or after the international filing date L' document which may throw doubts on priority claim(s) or which is cited to establish the publication date of another citation or other special reason (as specified) 'O' document referring to an oral disclosure, use, exhibition or other means 'P' document published prior to the international filing date but later than the priority date claimed 	<ul style="list-style-type: none"> 'T' later document published after the international filing date or priority date and not in conflict with the application but cited to understand the principle or theory underlying the invention X document of particular relevance, the claimed invention cannot be considered novel or cannot be considered to involve an inventive step when the document is taken alone 'Y' document of particular relevance, the claimed invention cannot be considered to involve an inventive step when the document is combined with one or more other such documents such combination being obvious to a person skilled in the art '&' document member of the same patent family
---	---

Date of the actual completion of the international search 27 May 2008 (27 05 2008)	Date of mailing of the international search report 14 JOL 2008
Name and mailing address of the ISA/US Mail Stop PCT, Attn ISA/US Commissioner for Patents P O Box 1450 Alexandria, Virginia 223 13-1450 Facsimile No (57 1) 273-3201	Authorized  Telephone No (571) 272-3750