



US00D624945S

(12) **United States Design Patent**  
**Major**

(10) **Patent No.:** **US D624,945 S**

(45) **Date of Patent:** **\*\* Oct. 5, 2010**

(54) **BONNET**

(75) Inventor: **Gary Edmund Major**, Cheshire (GB)

(73) Assignee: **J. C. Bamford Excavators Limited**,  
Rocester, Uttoxeter (GB)

(\*\*) Term: **14 Years**

(21) Appl. No.: **29/357,787**

(22) Filed: **Mar. 17, 2010**

(30) **Foreign Application Priority Data**

Sep. 17, 2009 (EM) ..... 001612805.0002  
Feb. 23, 2010 (EM) ..... 001673385.0003

(51) **LOC (9) Cl.** ..... **15-03**

(52) **U.S. Cl.** ..... **D15/31**

(58) **Field of Classification Search** ..... D15/10,  
D15/11, 13-17, 28, 22-26, 31; D12/173;  
56/13.3, 13.4, 15.8, 15.9, 320.1; 180/89.1,  
180/89.12, 900, 69.2, 68.1, 69.1  
See application file for complete search history.

(56) **References Cited**

**U.S. PATENT DOCUMENTS**

D246,370 S \* 11/1977 Lorenz ..... D15/31  
D297,330 S \* 8/1988 Monehaie et al. .... D15/31  
D371,372 S \* 7/1996 Westimayer et al. .... D15/31  
D381,025 S \* 7/1997 Bataille ..... D15/31  
D383,470 S \* 9/1997 Westimayer et al. .... D15/31  
D389,492 S \* 1/1998 Schmidt et al. .... D15/31  
5,803,198 A \* 9/1998 Baxter et al. .... 180/69.21  
D413,905 S \* 9/1999 Schmidt et al. .... D15/31  
6,167,977 B1 \* 1/2001 Adamson et al. .... 180/69.2  
D448,037 S \* 9/2001 Westimayer et al. .... D15/31  
D451,106 S \* 11/2001 Crookes et al. .... D15/31  
D458,944 S \* 6/2002 Crookes et al. .... D15/31  
D483,383 S \* 12/2003 Crookes et al. .... D15/31

D488,488 S \* 4/2004 Montgomery et al. .... D15/31  
D488,489 S \* 4/2004 Montgomery et al. .... D15/31  
D495,344 S \* 8/2004 Farlow et al. .... D15/31  
D495,345 S \* 8/2004 Farlow et al. .... D15/31  
D512,079 S \* 11/2005 Farlow et al. .... D15/31  
D512,445 S \* 12/2005 Farlow et al. .... D15/31  
D520,527 S \* 5/2006 Crookes et al. .... D15/31  
D554,669 S \* 11/2007 Crookes et al. .... D15/31  
D560,693 S \* 1/2008 Moen et al. .... D15/31  
D570,382 S \* 6/2008 Higashikawa ..... D15/31  
D586,828 S \* 2/2009 Staines et al. .... D15/31  
D591,777 S \* 5/2009 Kokitkar et al. .... D15/31

\* cited by examiner

*Primary Examiner*—Mark A Goodwin

(74) *Attorney, Agent, or Firm*—Goodman, Allen & Filetti  
PLLC

(57) **CLAIM**

The ornamental design for a bonnet, as shown and described.

**DESCRIPTION**

FIG. 1 is a left front perspective view of a bonnet showing my new design in use condition.

FIG. 2 is an enlarged left front perspective view thereof.

FIG. 3 is a front elevational view of thereof.

FIG. 4 is a right side elevational view thereof.

FIG. 5 is a rear perspective view thereof.

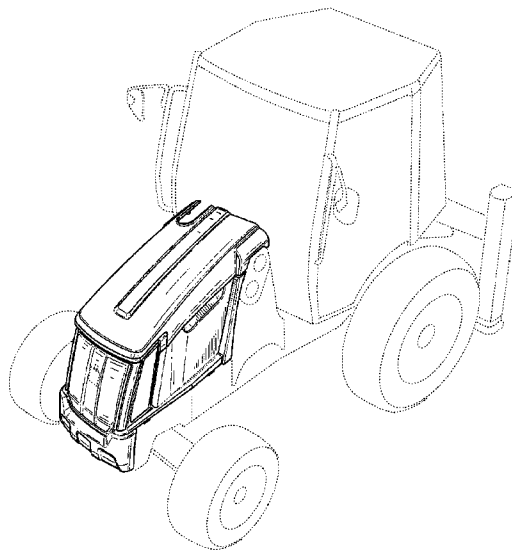
FIG. 6 is a left side elevational view thereof; and,

FIG. 7 is a top plan view thereof.

The rear and bottom form no part of my claimed design.

The broken line showing of the machine in FIG. 1, emblem throughout, and the inside portion of FIG. 5, is included for the purpose of illustrating environmental structure and forms no part of the claimed design.

**1 Claim, 7 Drawing Sheets**



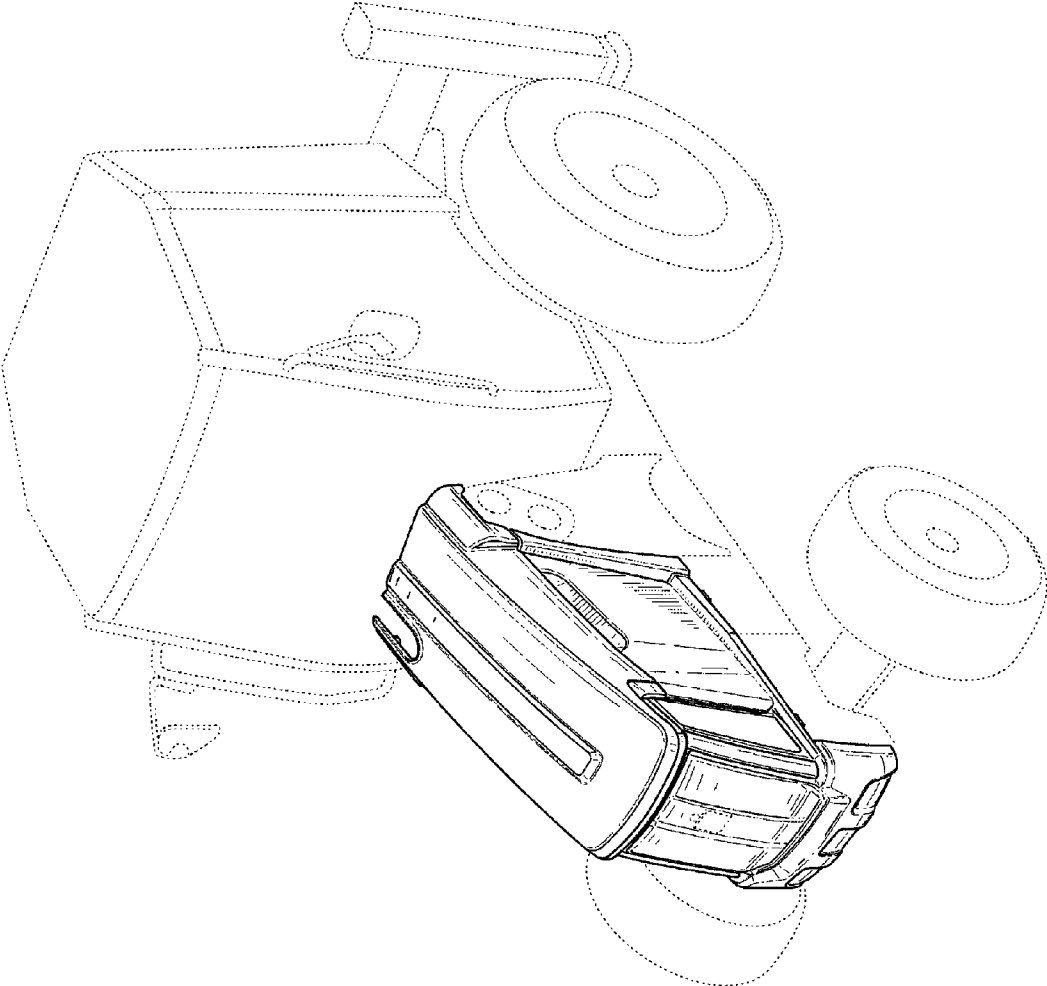
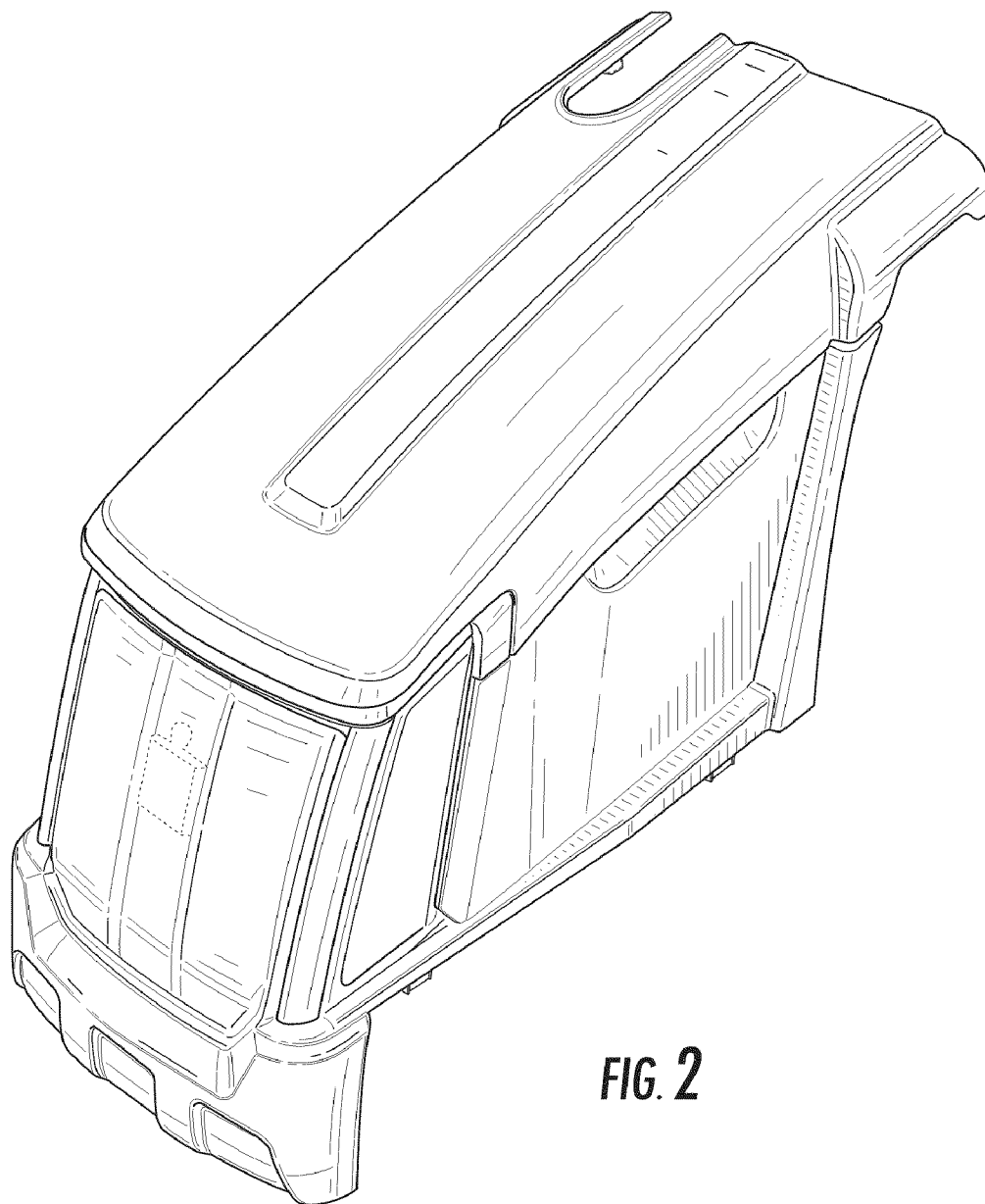
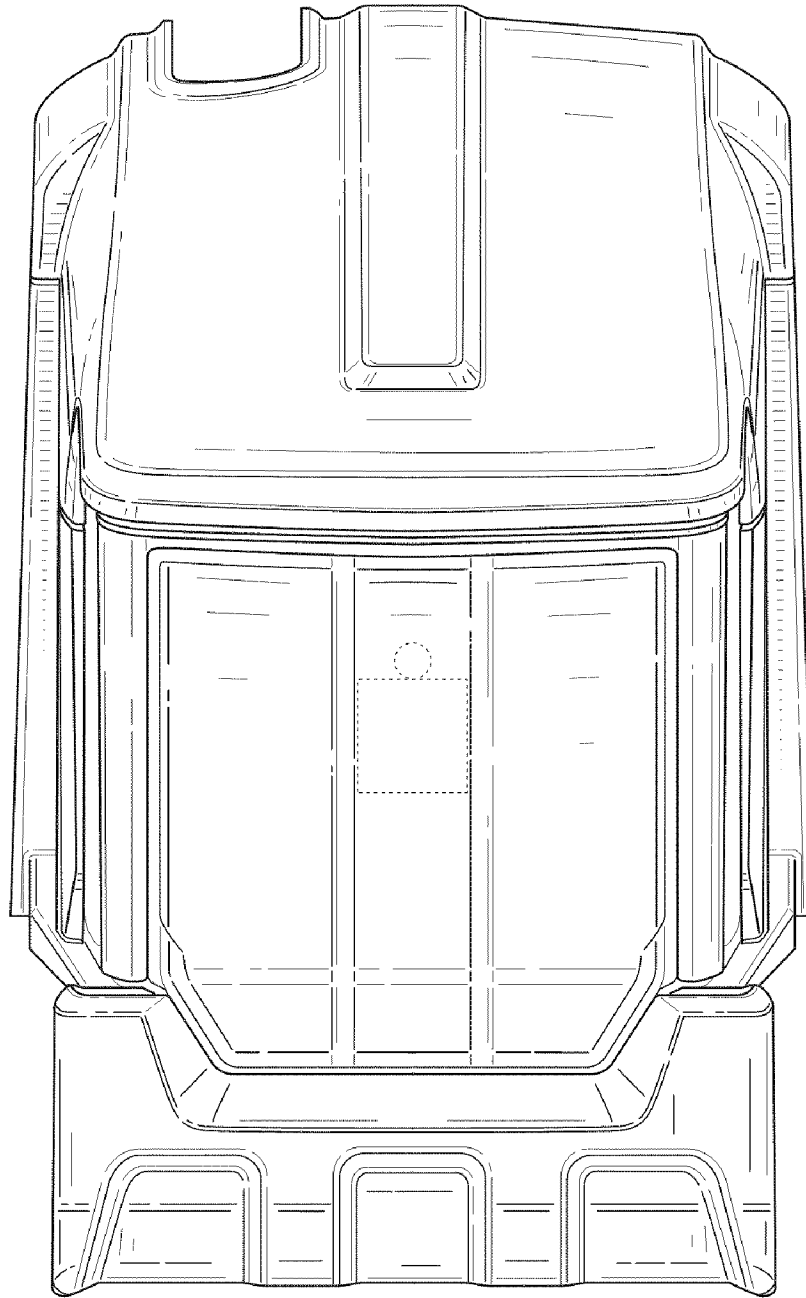


FIG. 7



**FIG. 2**



**FIG. 3**

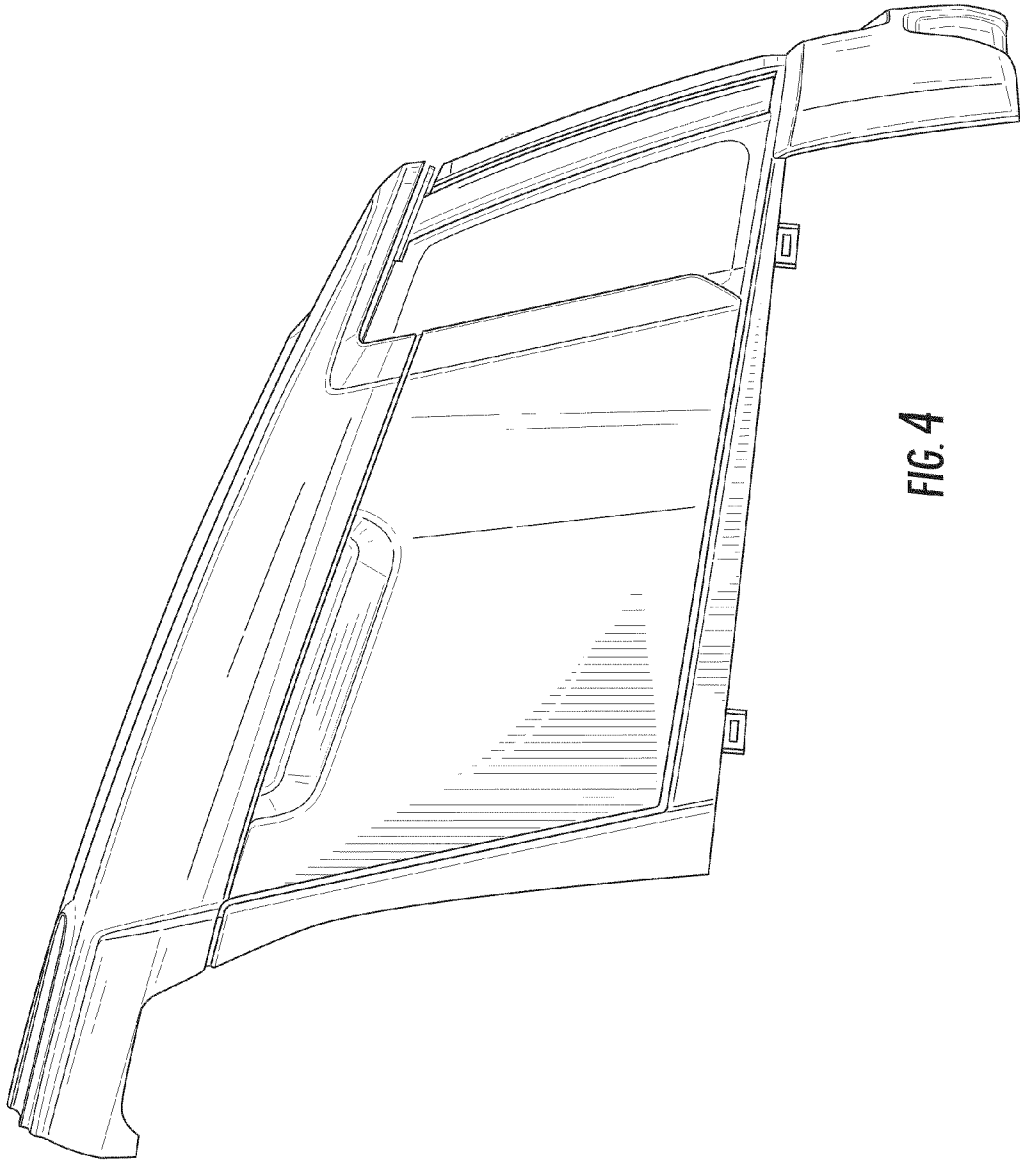


FIG. 4

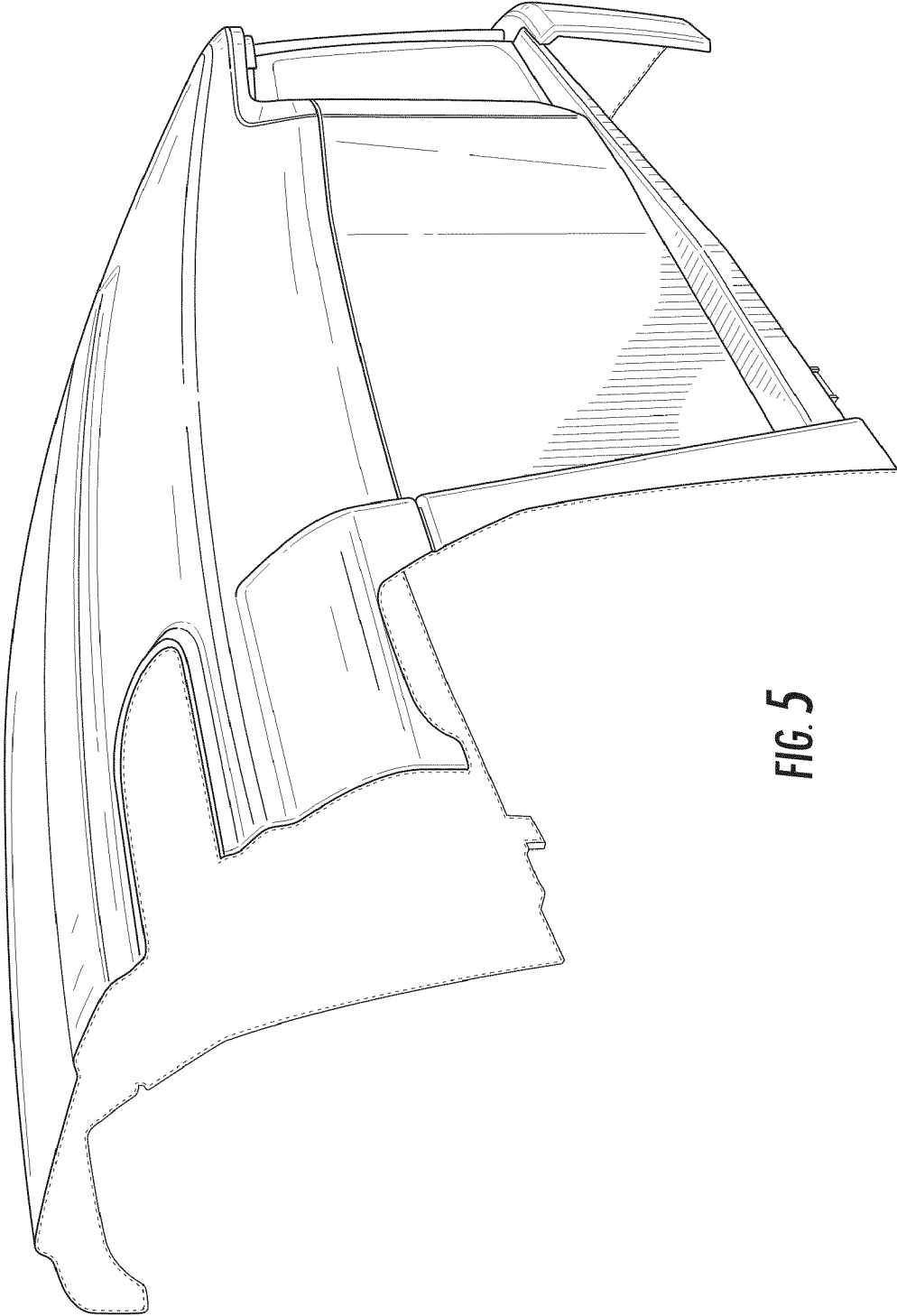


FIG. 5

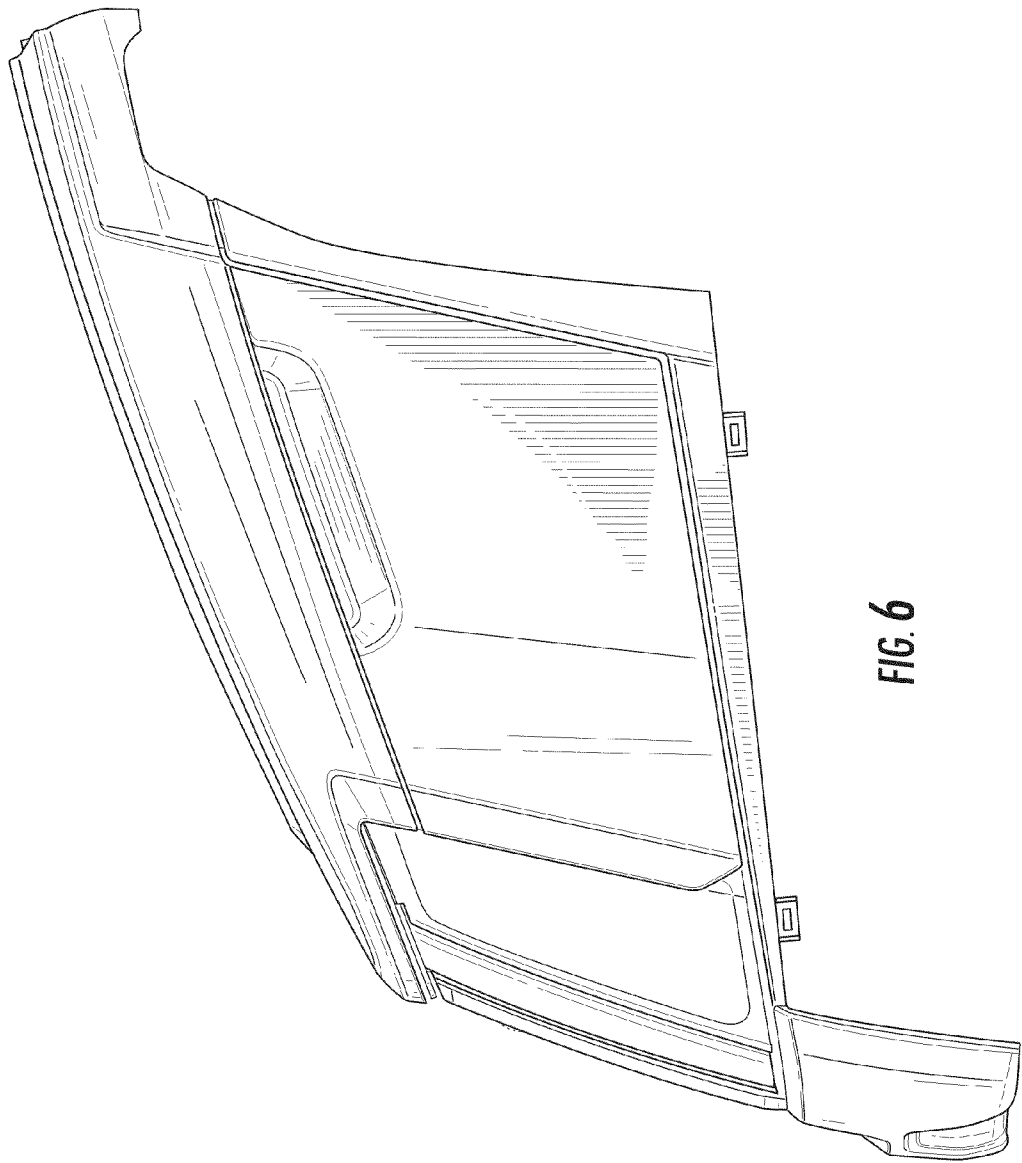
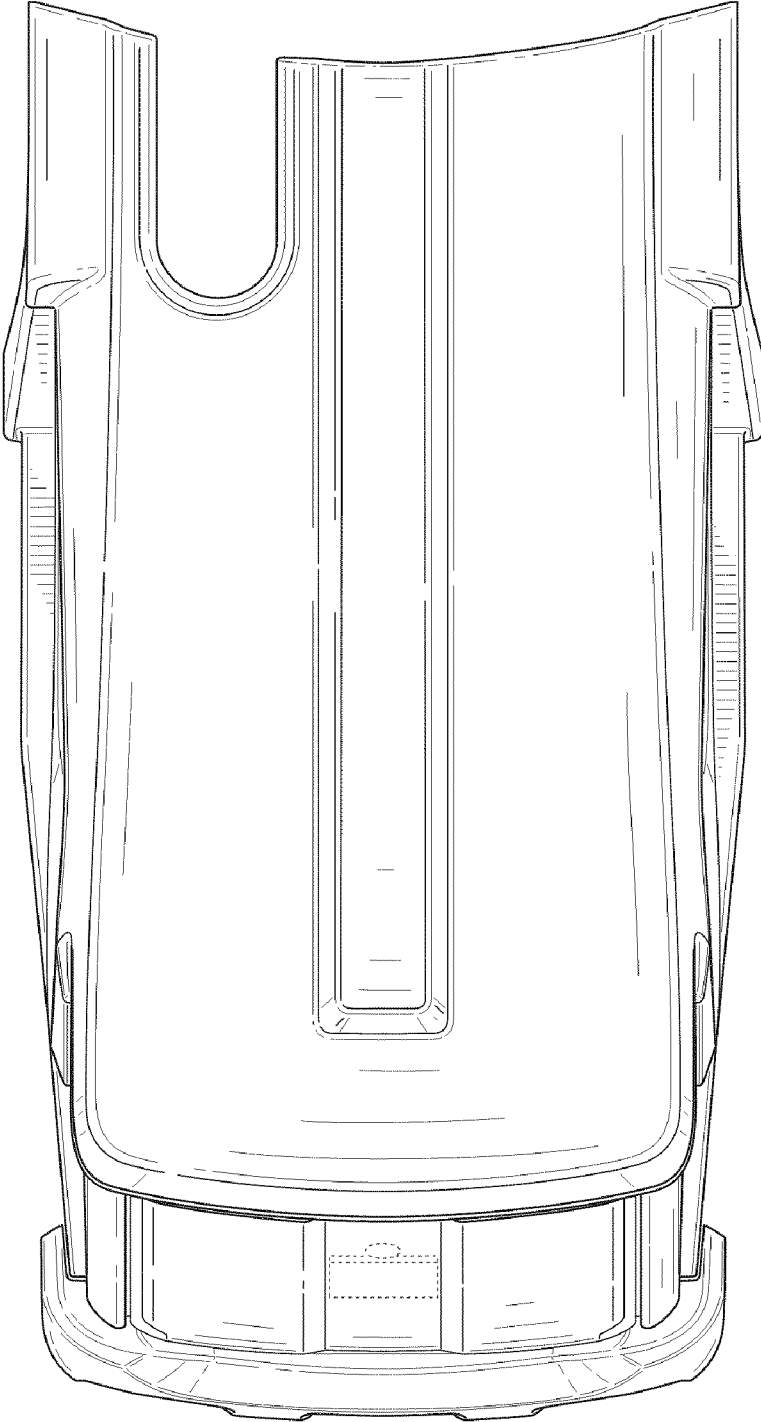


FIG. 6



**FIG. 7**