



US00D669778S

(12) **United States Design Patent**
Houlton et al.

(10) **Patent No.:** **US D669,778 S**

(45) **Date of Patent:** **** Oct. 30, 2012**

(54) **CONTAINER**

(75) Inventors: **Simon Houlton**, Toronto (CA); **Robert Barrett**, Toronto (CA); **Mauro Coletti**, Maple (CA); **Ileana Irimia**, Mississauga (CA); **Matthew Brett**, Toronto (CA)

(73) Assignee: **Polytainers Inc.**, Toronto (CA)

(**) Term: **14 Years**

(21) Appl. No.: **29/393,379**

(22) Filed: **Jun. 3, 2011**

(30) **Foreign Application Priority Data**

Dec. 8, 2010 (CA) 138277

(51) **LOC (9) Cl.** **09-03**

(52) **U.S. Cl.** **D9/425; D9/431**

(58) **Field of Classification Search** D9/414, D9/419, 424, 425-432, 500-504, 715-762; D7/538, 549, 550.1, 601-603, 605, 629; 220/23.4, 23.6, 266, 281, 315, 318, 500, 220/659, 669, 674, 675, 696, 752, 760, 790, 220/793, DIG. 12, FOR. 117; 229/105, 117.09, 229/117.26, 189, 406, 407, 902, 905, 915.1; 206/499, 508, 557; D3/276

See application file for complete search history.

(56) **References Cited**

U.S. PATENT DOCUMENTS

D285,906 S *	9/1986	Tyler	D9/425
D330,996 S *	11/1992	Smith et al.	D7/629
D383,671 S *	9/1997	Phillips	D9/429
D496,272 S *	9/2004	Jackson et al.	D9/425
D496,560 S *	9/2004	Lerner	D7/629
D548,588 S *	8/2007	Bouveret et al.	D9/428
D650,663 S *	12/2011	Shiffer et al.	D9/428
D655,578 S *	3/2012	Samartgis	D7/602

* cited by examiner

Primary Examiner — Thomas Johannes

(74) *Attorney, Agent, or Firm* — McMillan LLP

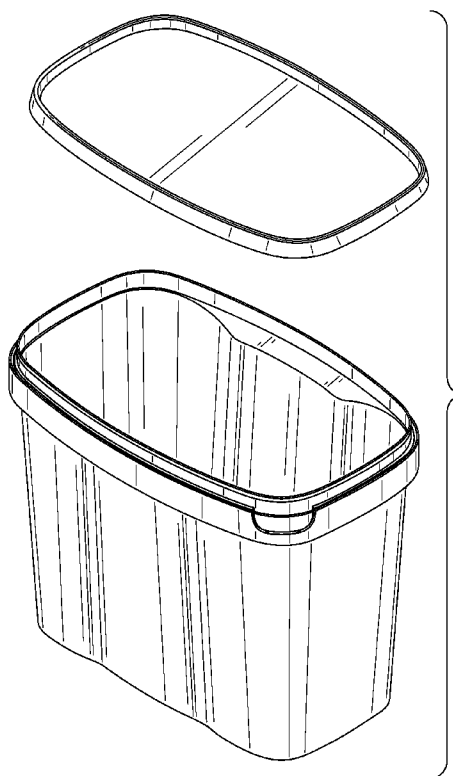
(57) **CLAIM**

The ornamental design for a container, as shown and described.

DESCRIPTION

FIG. 1 is a top perspective view of a container showing our design without the lid for clarity of detail; FIG. 2 is a bottom perspective view thereof; FIG. 3 is a front elevation view thereof; FIG. 4 is a back elevation view thereof; FIG. 5 is a right elevation view thereof; FIG. 6 is a left elevation view thereof; FIG. 7 is a top plan view thereof; FIG. 8 is a bottom plan view thereof; and, FIG. 9 is a top perspective exploded view thereof including the lid for use with the container.

1 Claim, 9 Drawing Sheets



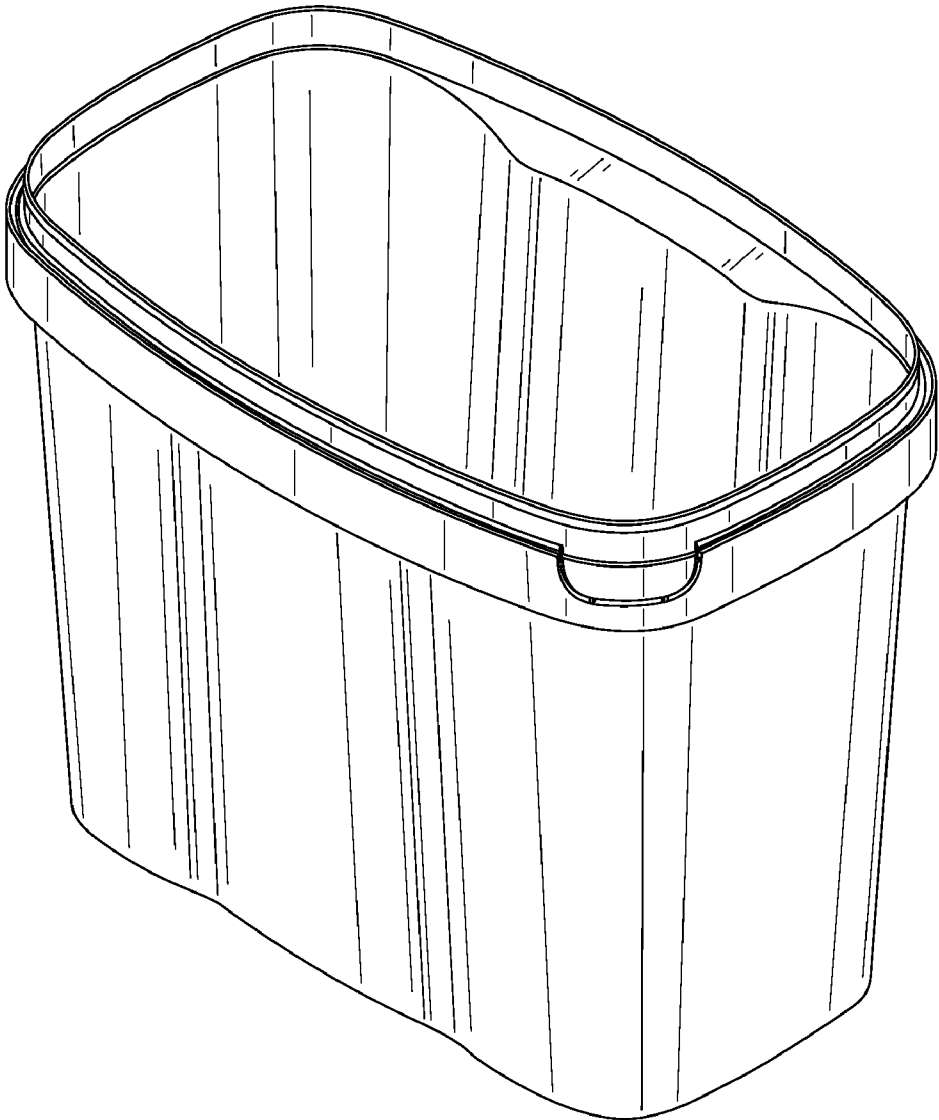


FIG. 1

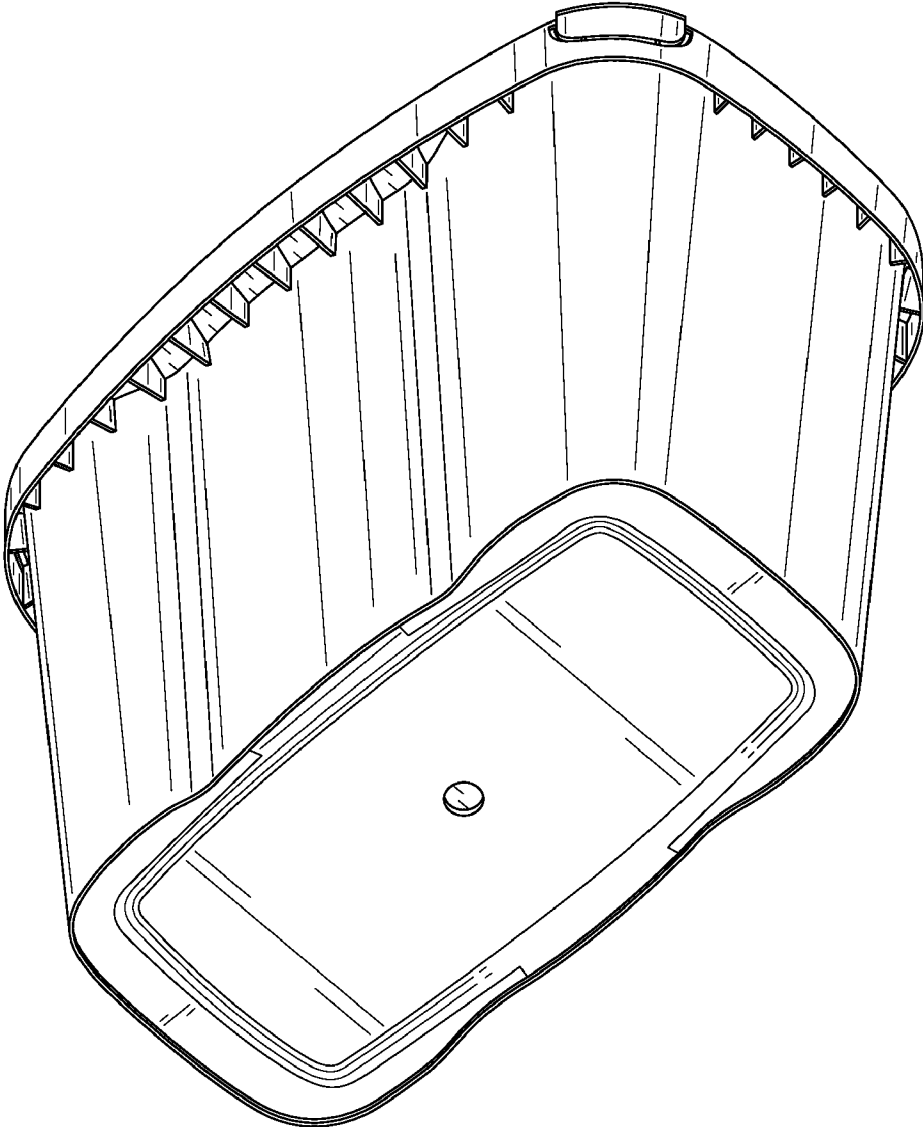


FIG. 2

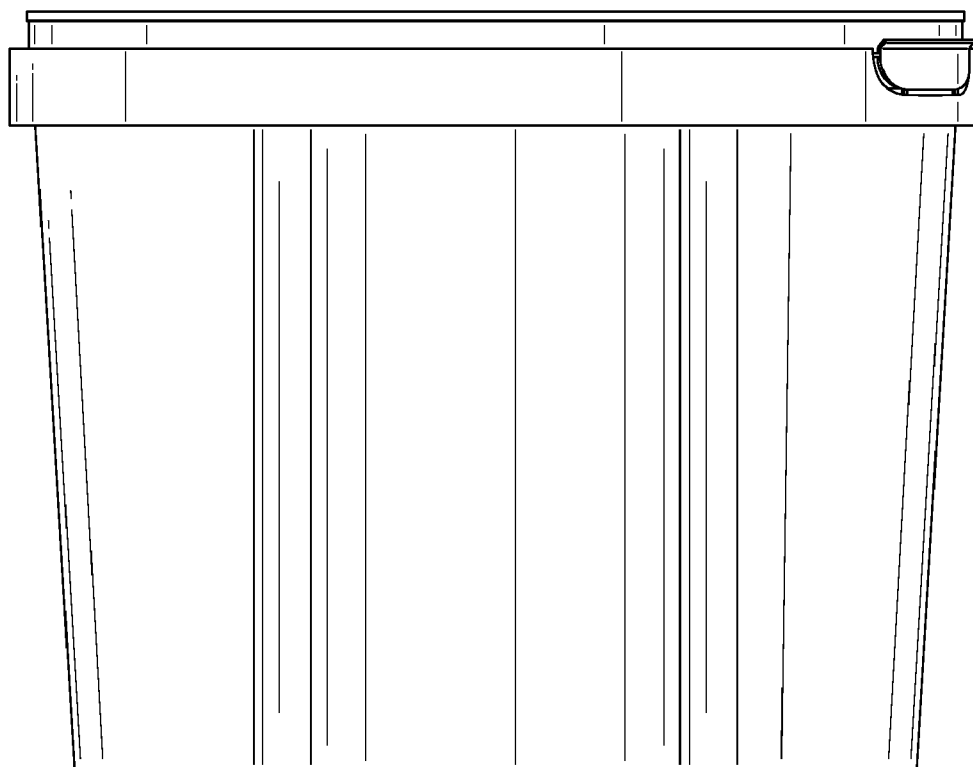


FIG. 3

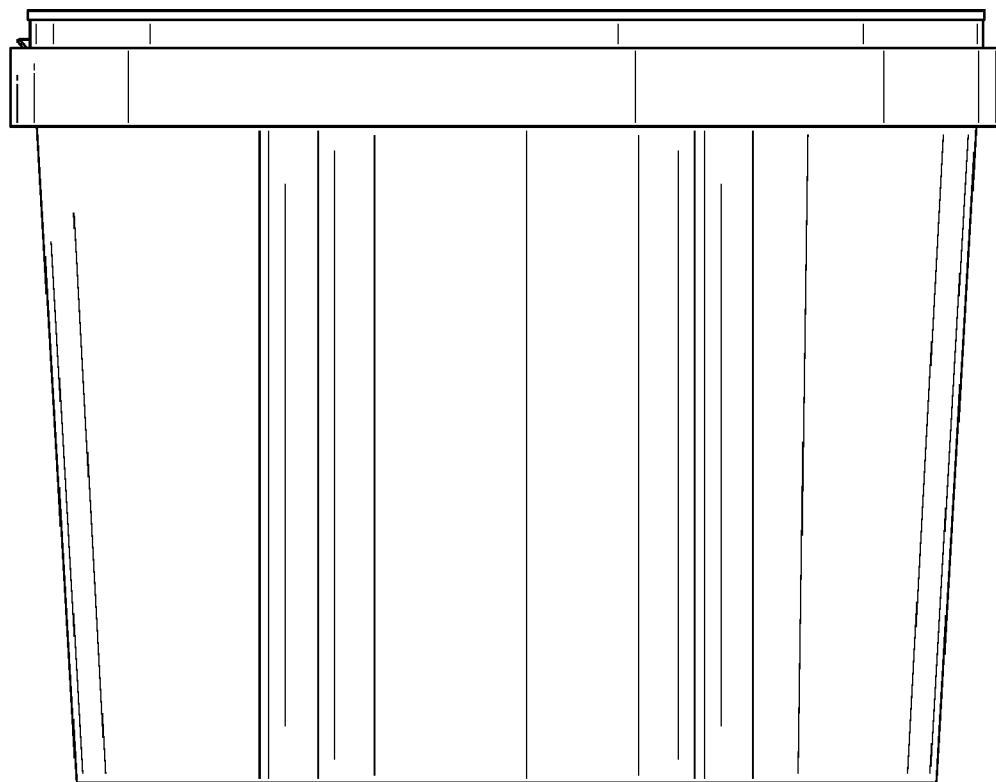


FIG. 4

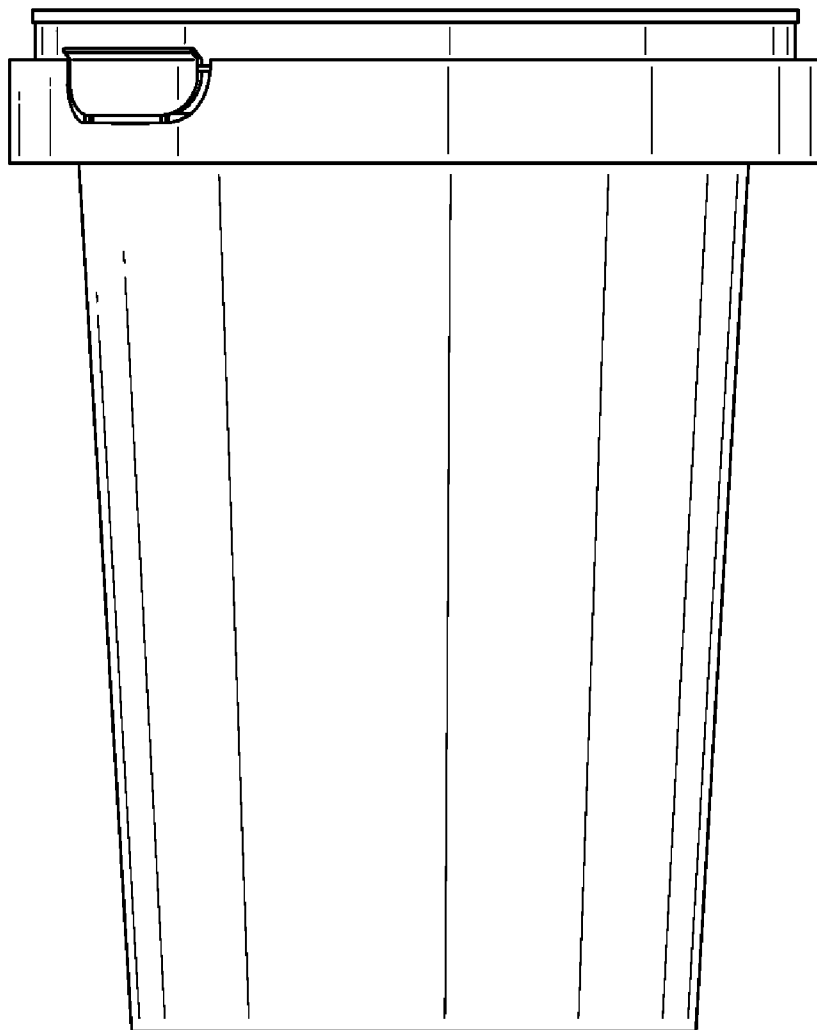


FIG. 5

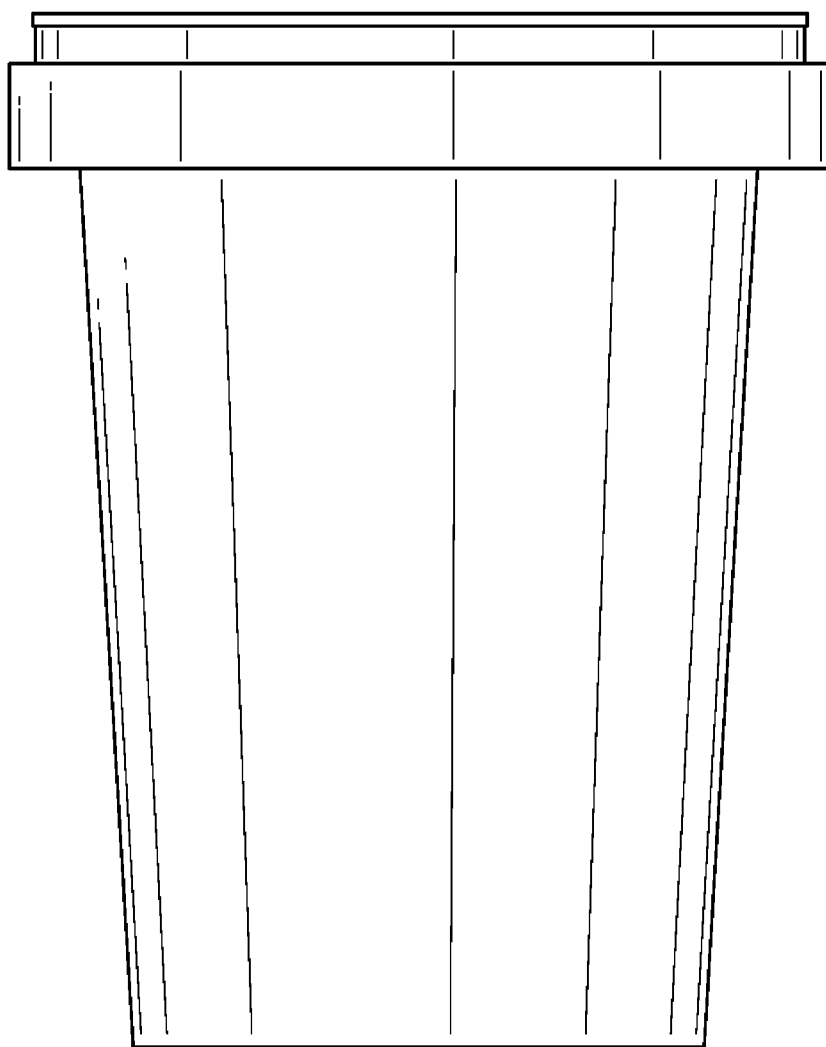


FIG. 6

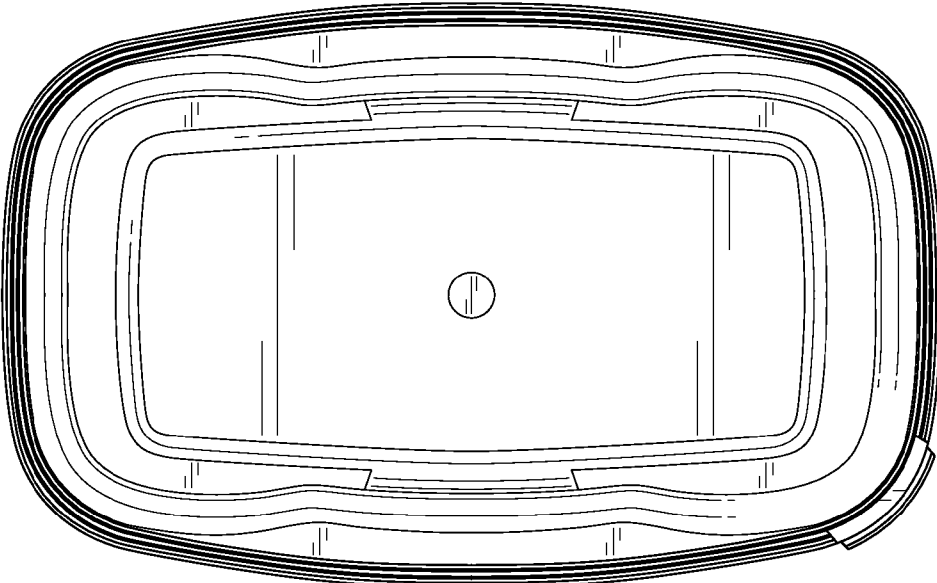


FIG. 7

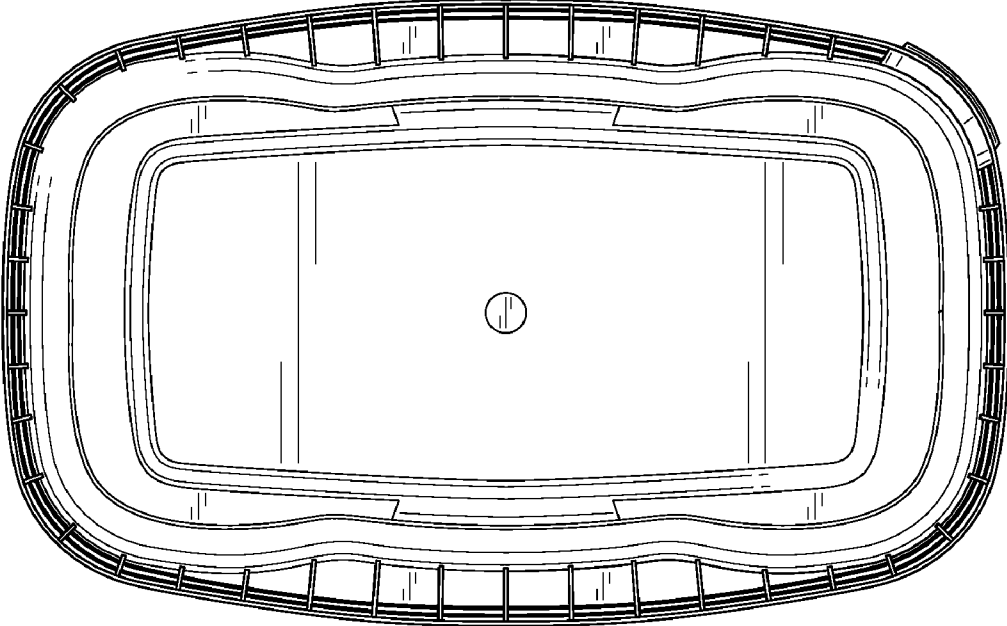


FIG. 8

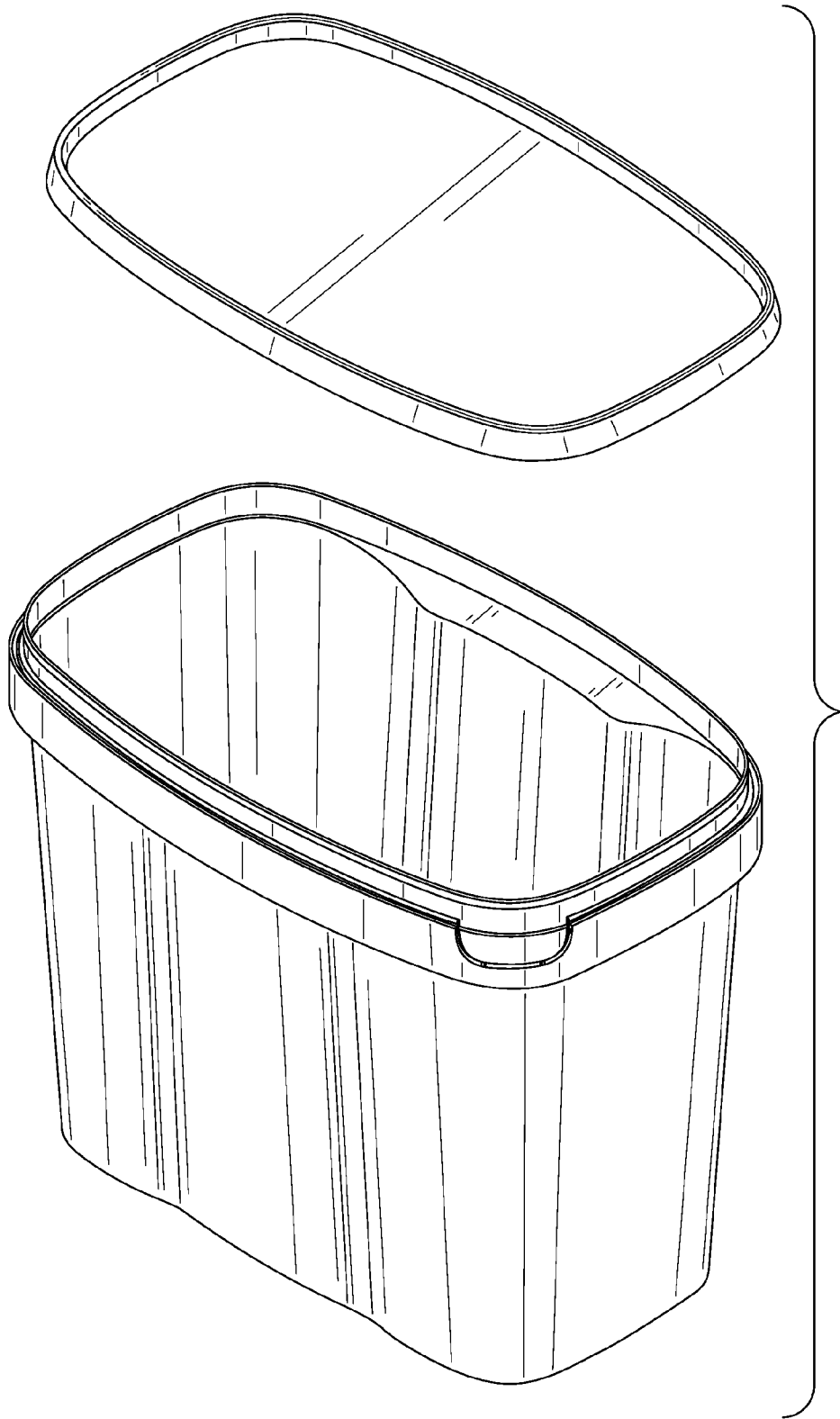


FIG. 9