



US00D875970S

(12) **United States Design Patent**
Heffernan

(10) **Patent No.:** **US D875,970 S**

(45) **Date of Patent:** **** Feb. 18, 2020**

(54) **WORKSTATION FOR SUPPORTING MATERIALS, EQUIPMENT, AND THE LIKE ON A LADDER**

4,533,018 A	8/1985	Tyson	
D280,669 S	9/1985	Hammeke	
D289,247 S	4/1987	Wang	
D299,687 S	2/1989	Handler et al.	
4,874,147 A *	10/1989	Ory	E06C 7/14 248/210
D306,365 S	2/1990	Brown et al.	

(71) Applicant: **Heff Industries Inc.**, Longmont, CO (US)

(Continued)

(72) Inventor: **Matthew Paul Heffernan**, Estes Park, CO (US)

(73) Assignee: **Heff Industries Inc.**, Longmont, CO (US)

(**) Term: **15 Years**

(21) Appl. No.: **29/637,004**

(22) Filed: **Feb. 13, 2018**

Related U.S. Application Data

(62) Division of application No. 29/544,846, filed on Nov. 6, 2015, now Pat. No. Des. 810,321.

(51) **LOC (12) Cl.** **25-04**

(52) **U.S. Cl.**
USPC **D25/68**

(58) **Field of Classification Search**
USPC D25/62-65, 68, 69; 182/121, 172, 125, 182/116, 102, 26, 228.2, 222, 129, 156, 182/127, 120, 104, 25, 117, 124, 163, 182/165, 152, 162, 115, 194, 21-23; 220/570; D3/304, 313, 315; D6/512; 248/210; D7/701; 206/234; 211/133.6
CPC ... E06C 1/393; E06C 1/39; E06C 7/16; E06C 1/381; E06C 1/383; E06C 7/14; E06C 7/143; E06C 7/182; B25H 3/06; B25H 3/00; B44D 3/14; B44D 3/126
See application file for complete search history.

(56) **References Cited**

U.S. PATENT DOCUMENTS

3,807,319 A	4/1974	Stanson, Jr.
D279,384 S	6/1985	Evenson

OTHER PUBLICATIONS

Heff Industries, 24" Big Mule Workstation, Jul. 26, 2016, <<https://heffindustries.com/store/#/24-Big-Mule-Workstation/p/55583343/category=0>>.

Primary Examiner — Gino Colan

(74) *Attorney, Agent, or Firm* — Stinson LLP

(57) **CLAIM**

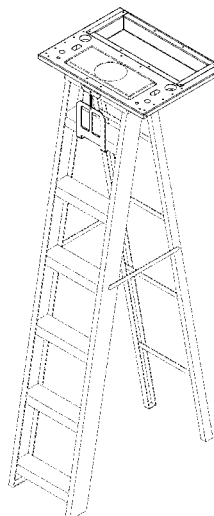
The ornamental design for a workstation for supporting materials, equipment, and the like on a ladder, as shown and described.

DESCRIPTION

FIG. 1 is a top, rear, and left side perspective view of a workstation for supporting materials, equipment, and the like on a ladder showing my new design; FIG. 2 is a top, front, and right perspective view thereof; FIG. 3 is a front view thereof; FIG. 4 is a right side view thereof; FIG. 5 is a top view thereof; FIG. 6 is a rear view thereof; FIG. 7 is a left side view thereof; and, FIG. 8 is a bottom view thereof.

The broken lines shown in the figures are for the purpose of illustrating portions of the workstation for supporting materials, equipment, and the like on a ladder and form no part of the claimed design. The broken lines showing a ladder in FIG. 1 are for the purpose of illustrating environment which forms no part of the claimed design.

1 Claim, 8 Drawing Sheets



(56)

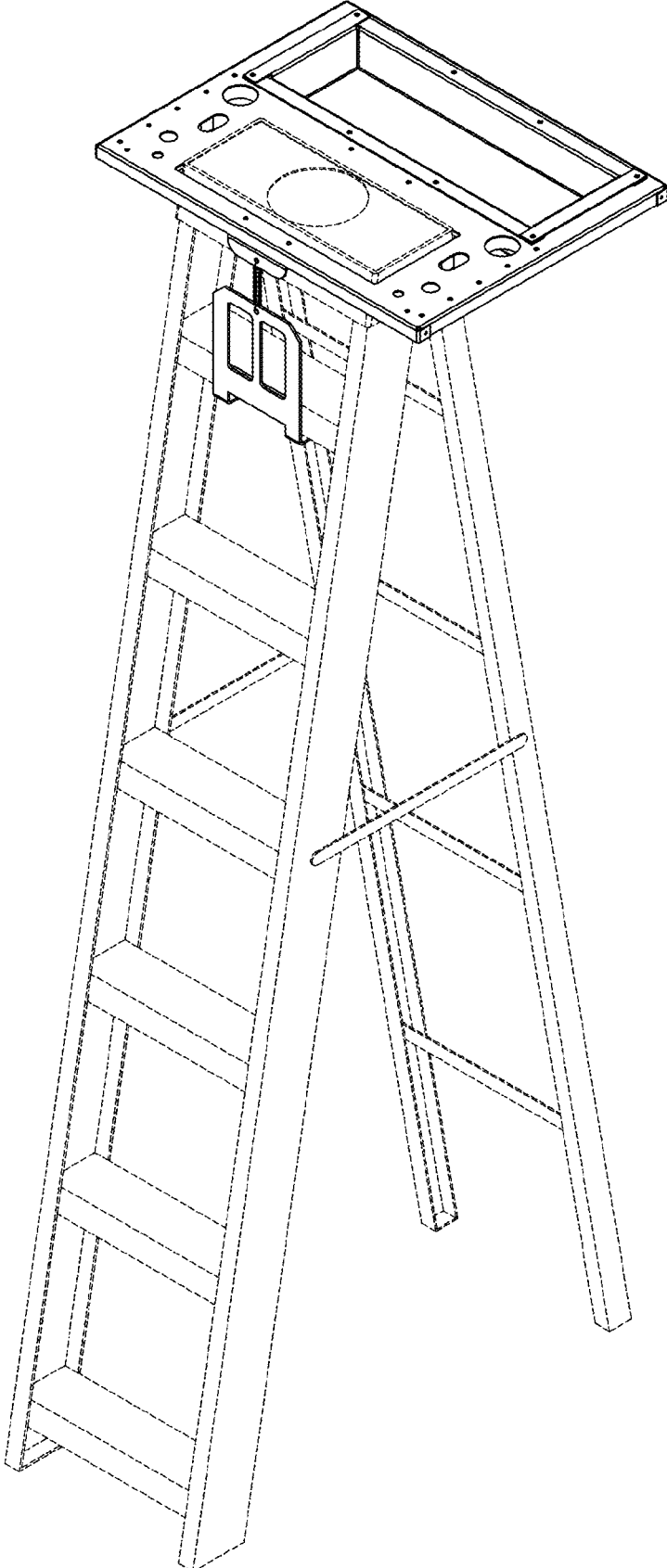
References Cited

U.S. PATENT DOCUMENTS

D309,687 S	8/1990	Embree et al.	D508,774 S	8/2005	McAndrew	
D352,202 S	11/1994	Campbell et al.	D510,481 S	10/2005	Hodgson	
D378,726 S	4/1997	Dunn	7,264,084 B1 *	9/2007	Switzer	E06C 7/14 182/129
D396,162 S	7/1998	Mutti	D554,474 S	11/2007	Miller	
D396,953 S	8/1998	Iversen et al.	D577,489 S	9/2008	Debowiecki	
D396,955 S	8/1998	Iversen et al.	D617,990 S	6/2010	Liao	
D396,956 S	8/1998	Iversen et al.	D685,110 S	6/2013	Lusin et al.	
5,850,956 A	12/1998	Hayward, Jr.	D693,125 S	11/2013	Bell	
D407,254 S	3/1999	DeBooth	9,714,542 B1	7/2017	Harcz	
D411,509 S	6/1999	Schlegel	D795,605 S	8/2017	Heffernan	
5,918,550 A	7/1999	Weir et al.	D810,321 S *	2/2018	Heffernan	D25/68
5,941,344 A	8/1999	Spadaro	D844,990 S *	4/2019	Liao	D3/313
5,967,259 A *	10/1999	Williams	2002/0166724 A1	11/2002	Kvam	
		E06C 7/14 182/129	2005/0056486 A1	3/2005	Butler et al.	
D447,818 S *	9/2001	Weber	2005/0258002 A1	11/2005	Sabo	
6,474,244 B1	11/2002	Karpinski	2005/0263468 A1 *	12/2005	Wanda	B25H 3/06 211/133.6
D484,701 S	1/2004	Fabregas	2009/0032662 A1	2/2009	Parrott et al.	
6,842,922 B2	1/2005	Smeed	2013/0112502 A1	5/2013	Oliver	
			2017/0089135 A1	3/2017	Heffernan	

* cited by examiner

FIG. 1



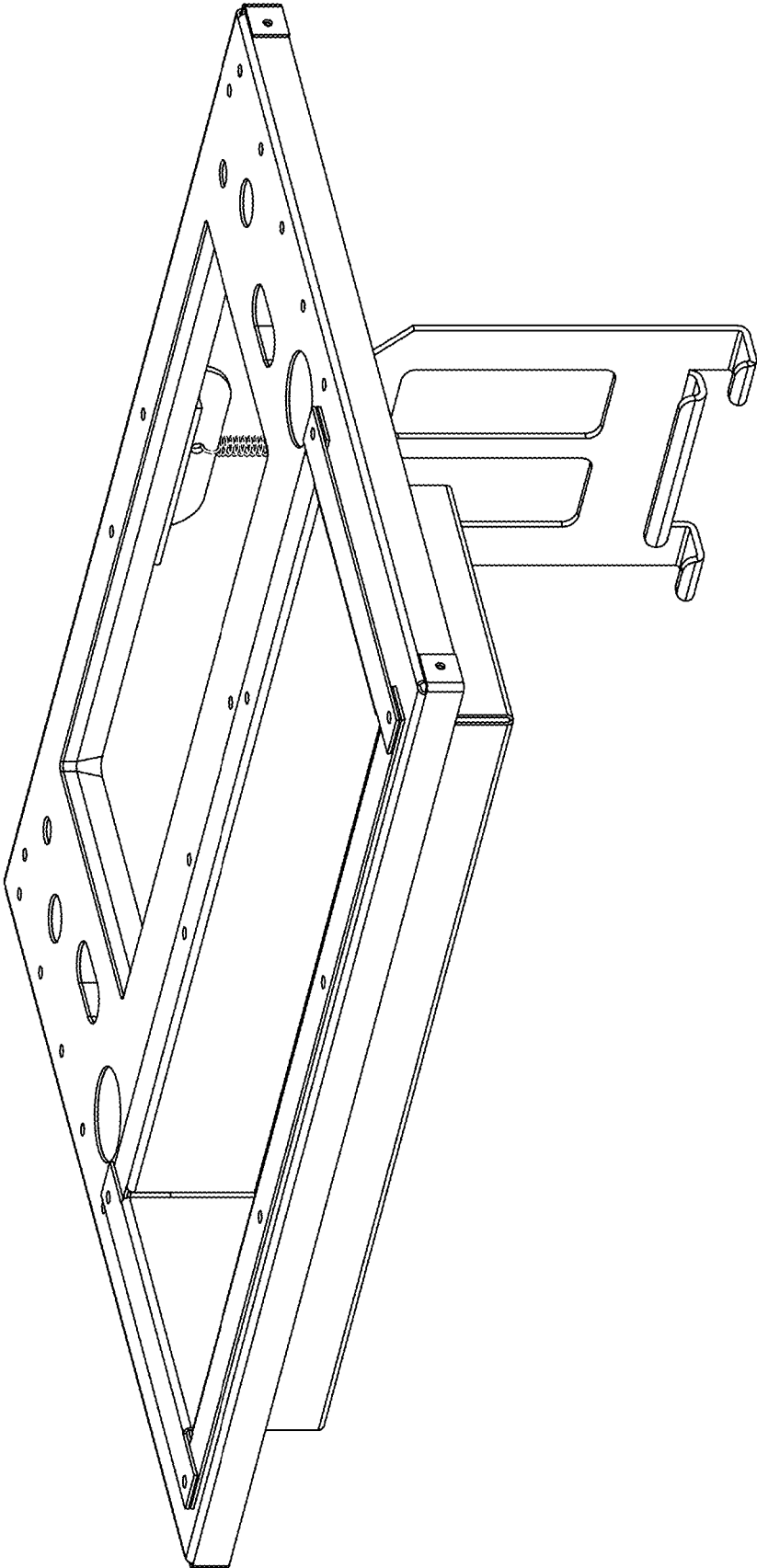
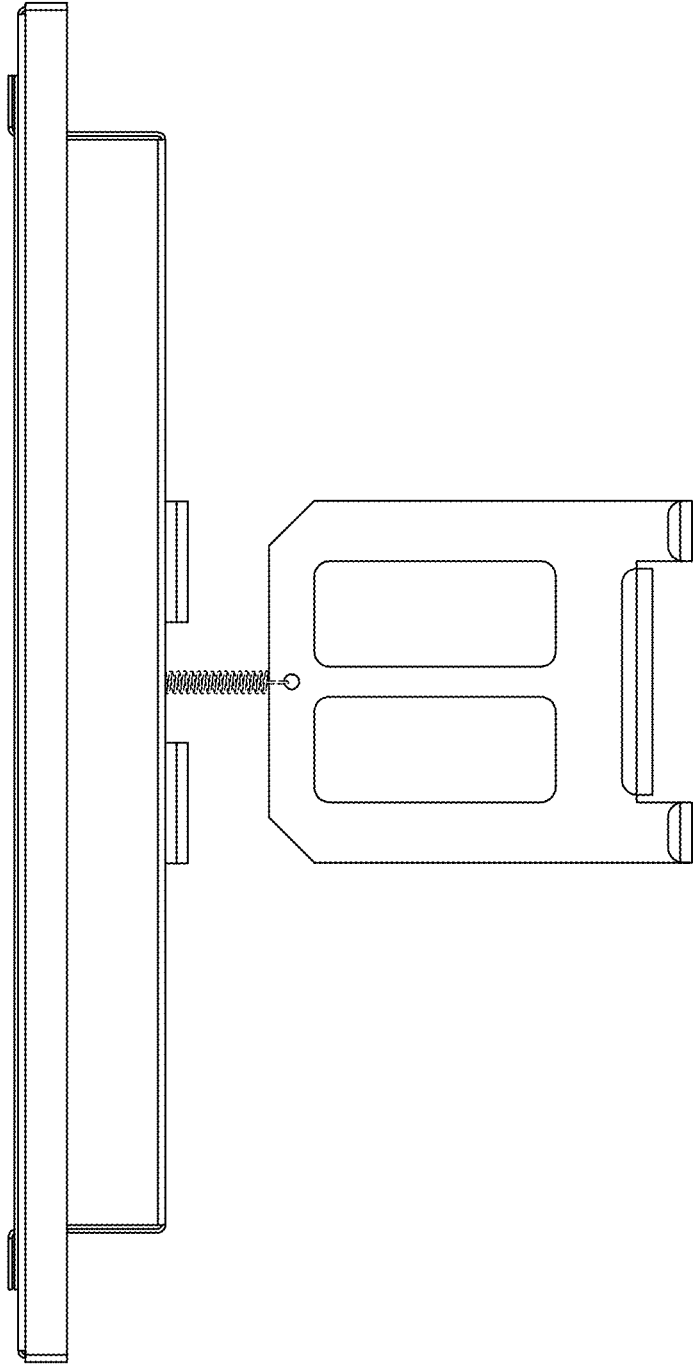


FIG. 2

FIG. 3



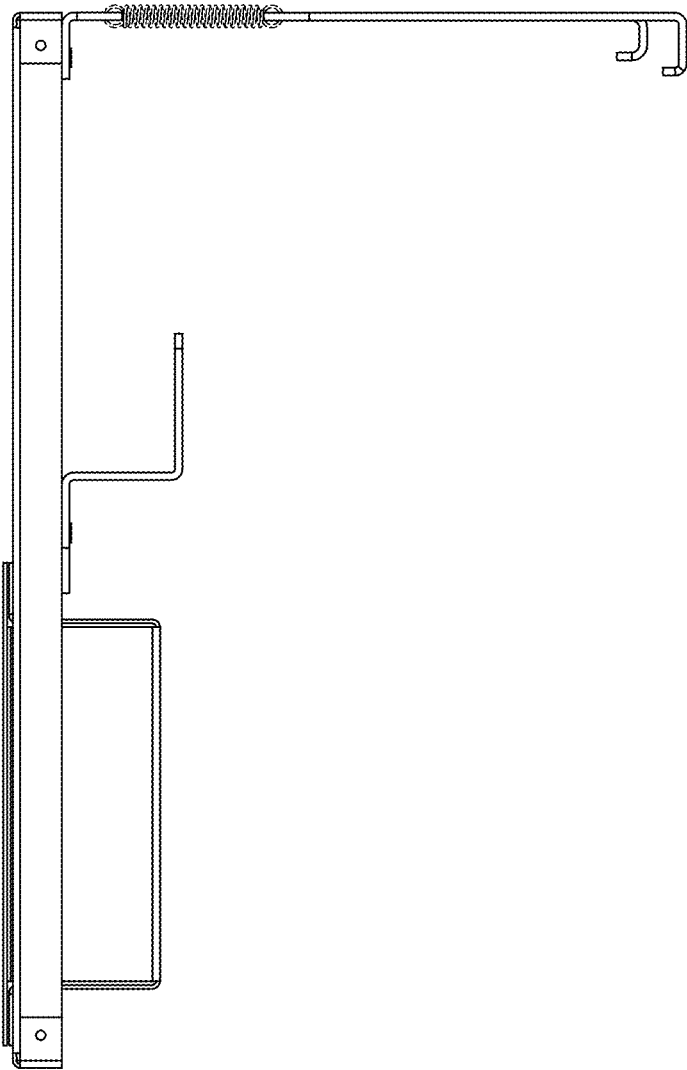


FIG. 4

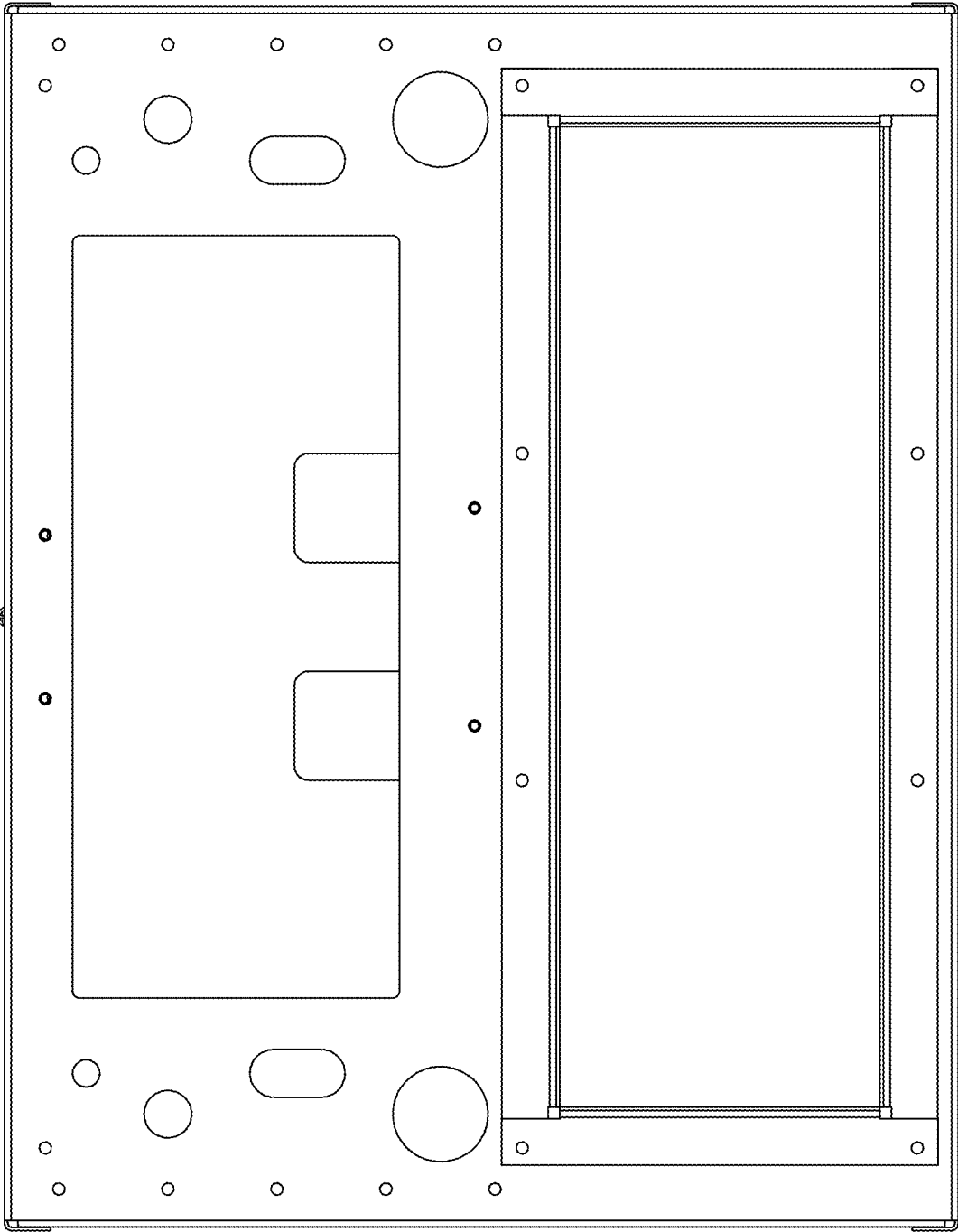


FIG. 5

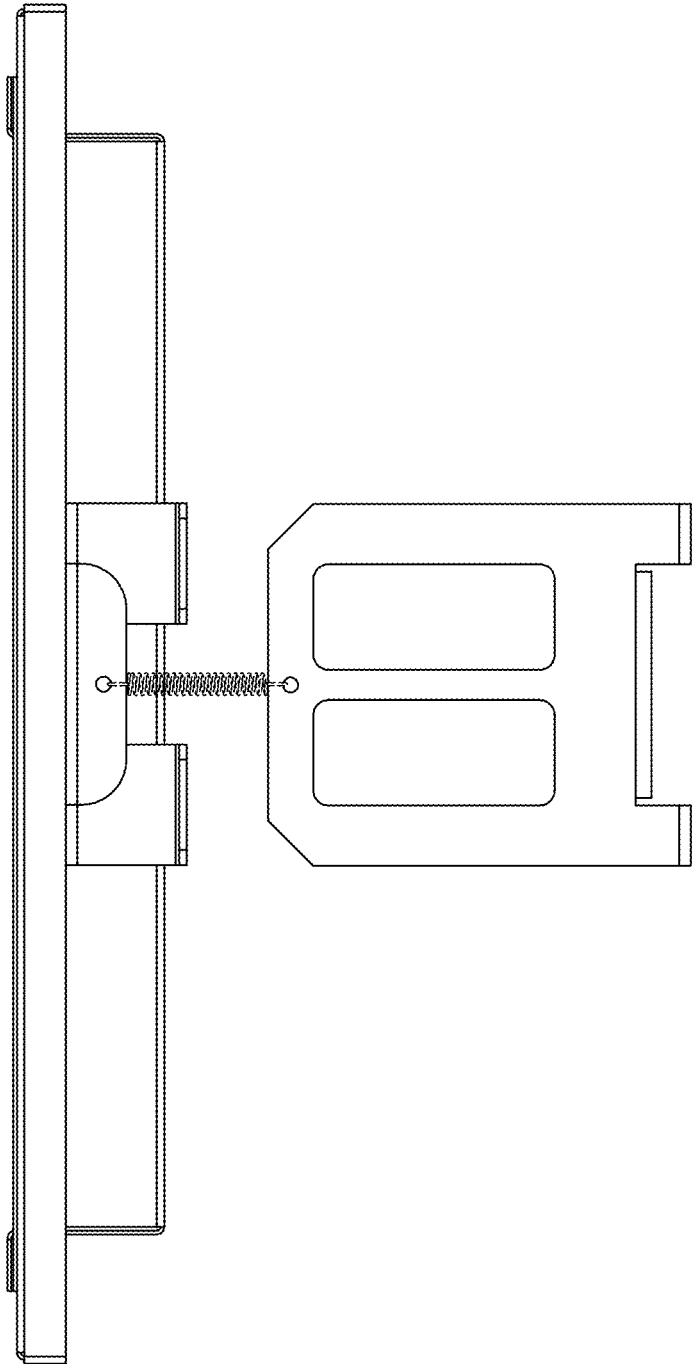


FIG. 6

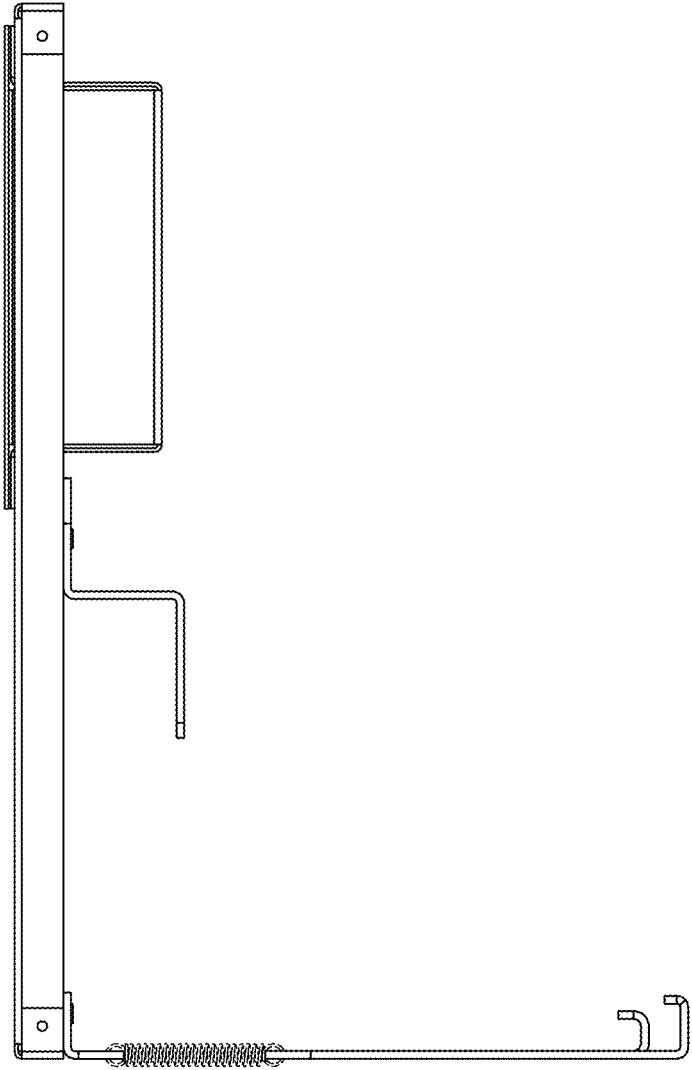


FIG. 7

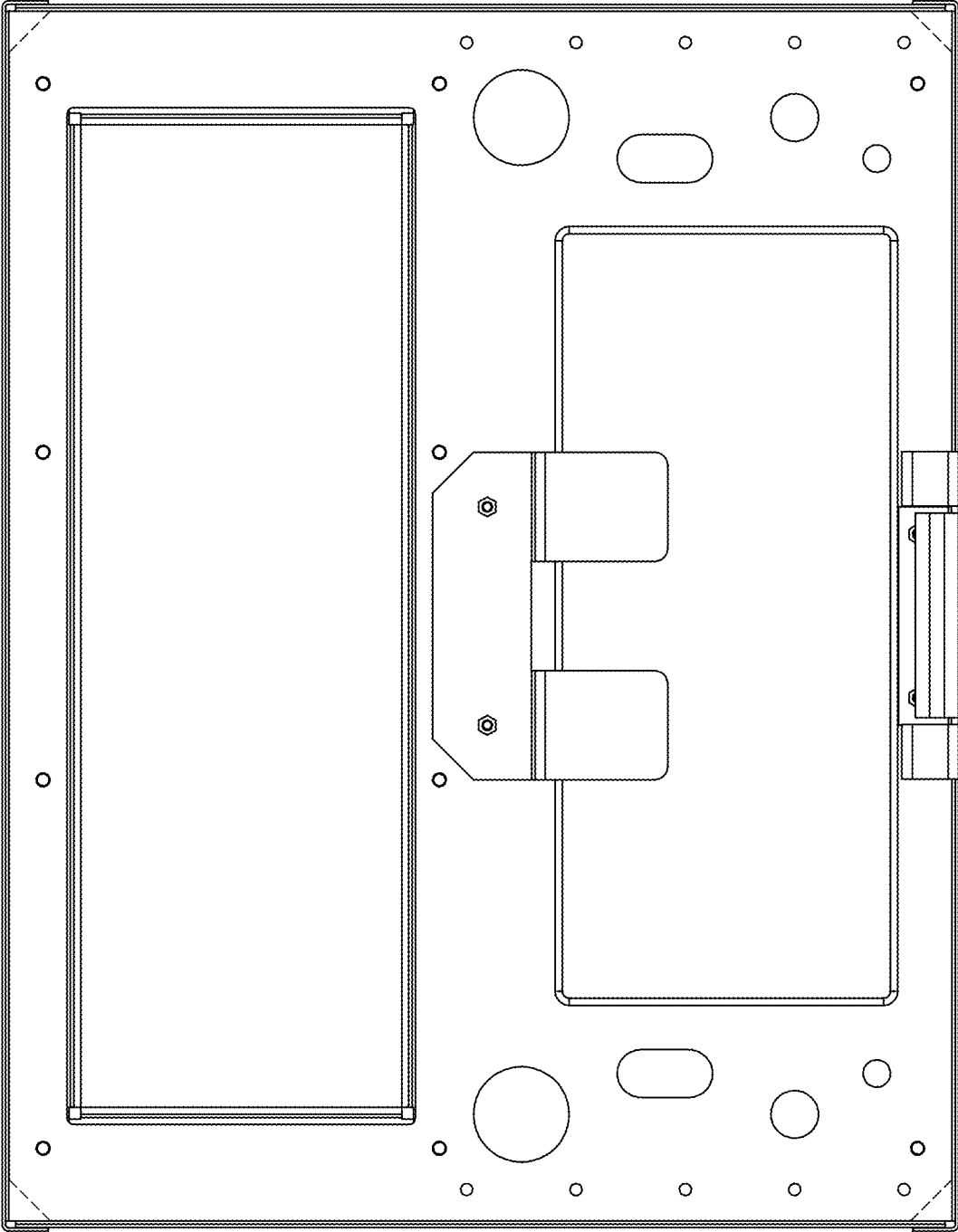


FIG. 8