



US00D801067S

(12) **United States Design Patent**
Barber et al.

(10) **Patent No.:** **US D801,067 S**

(45) **Date of Patent:** **** Oct. 31, 2017**

- (54) **CHAIR**
- (71) Applicant: **Vitra Patente AG**, Birsfelden (CH)
- (72) Inventors: **Edward Barber**, London (GB); **Jay Osgerby**, London (GB)
- (73) Assignee: **VITRA PATENTE AG**, Birsfelden (CH)
- (**) Term: **15 Years**
- (21) Appl. No.: **29/573,925**
- (22) Filed: **Aug. 10, 2016**
- (30) **Foreign Application Priority Data**
May 13, 2016 (WO) DM/090703
- (51) **LOC (10) CL.** **06-01**
- (52) **U.S. CL.**
USPC **D6/366**
- (58) **Field of Classification Search**
USPC D6/334-336, 364, 365, 366, 374, 379,
D6/380, 716, 716.1, 716.2, 716.4, 708.23,
D6/708.24
CPC .. A47C 7/54; A47C 3/24; A47C 7/022; A47C
7/40; A47C 7/46; A47C 7/18; A47C 7/24;
A47C 7/004
See application file for complete search history.

- (56) **References Cited**
U.S. PATENT DOCUMENTS
D327,988 S * 7/1992 Citterio D6/366
D360,316 S * 7/1995 Hodge D6/366
D367,980 S * 3/1996 Hodge D6/716
D390,712 S * 2/1998 Koepke D6/360
D400,018 S * 10/1998 James D6/366
D445,580 S 7/2001 Pennington et al.
D446,397 S 8/2001 Pennington et al.

D453,079 S	1/2002	Ma	
D467,443 S *	12/2002	Kwon	D6/366
6,572,190 B2	6/2003	Koepke et al.	
D540,079 S	4/2007	Bock	
D540,080 S	4/2007	Su	
D541,061 S *	4/2007	Benden	D6/366
D541,062 S	4/2007	Su	
D549,014 S	8/2007	Donati	
D558,995 S	1/2008	Igarashi et al.	
7,347,495 B2	3/2008	Beyer et al.	
D566,410 S	4/2008	Neil	
D567,522 S	4/2008	Igarashi	
D570,624 S	6/2008	Kang	
D572,948 S	7/2008	Kouchi et al.	
D576,813 S	9/2008	Baldanzi et al.	
D579,682 S *	11/2008	Neil	D6/366
D582,170 S	12/2008	Chi	
D584,901 S	1/2009	Massaud	
7,517,024 B2	4/2009	Cvek et al.	
D597,330 S	8/2009	Neil	
D613,085 S	4/2010	Fujita	
D613,086 S	4/2010	Fujita	
D640,477 S	6/2011	Neil	
D640,478 S *	6/2011	Neil	D6/366
D646,915 S	10/2011	Schweikarh et al.	

(Continued)

Primary Examiner — Mimosa De
(74) *Attorney, Agent, or Firm* — Dorsey & Whitney LLP

(57) **CLAIM**
The ornamental design of a chair, as shown and described.

DESCRIPTION

FIG. 1 is a front perspective-view of a chair;
FIG. 2 is a front view thereof;
FIG. 3 is a left-side view thereof;
FIG. 4 is a back view thereof;
FIG. 5 is a right-side view thereof;
FIG. 6 is a top view thereof; and,
FIG. 7 is a bottom view thereof.

1 Claim, 7 Drawing Sheets



(56)

References Cited

U.S. PATENT DOCUMENTS

D649,796 S	*	12/2011	Lievore	D6/366	D683,552 S	6/2013	Wu	
D650,617 S		12/2011	Chen		D683,574 S	6/2013	Su	
D652,646 S		1/2012	Fujita		D687,641 S	8/2013	Barrell	
D653,467 S		2/2012	Ballendat		D694,541 S	12/2013	Breen	
D654,280 S		2/2012	Fujita		D695,538 S	12/2013	Geelen	
D656,752 S	*	4/2012	Moll	D6/366	D697,330 S	1/2014	Chen	
D658,904 S		5/2012	Chen		D701,068 S	3/2014	Usumoto et al.	
D661,505 S	*	6/2012	Ballendat	D6/366	D702,977 S	4/2014	Bonneywell	
D665,589 S		8/2012	Wagner		D703,966 S	5/2014	Wu	
D665,590 S		8/2012	Wagner		D708,882 S	7/2014	Hsuan-Chin	
D666,032 S		8/2012	Su		D714,069 S	9/2014	Cvek	
D671,330 S		11/2012	Izawa		D736,532 S	8/2015	Ballendat	
D671,332 S		11/2012	Izawa		D758,087 S	6/2016	Bonneywell	
D671,759 S		12/2012	Hurford		D767,320 S	9/2016	Xingchang	
D677,918 S	*	3/2013	Citterio	D6/366	D768,401 S	10/2016	Lievore	D6/366
D679,107 S		4/2013	Darrow et al.		D773,199 S	12/2016	Neil	
D683,172 S		5/2013	Su		D781,604 S	3/2017	Smith et al.	
					D781,605 S	3/2017	Smith et al.	
					9,648,957 B2	5/2017	Su	

* cited by examiner

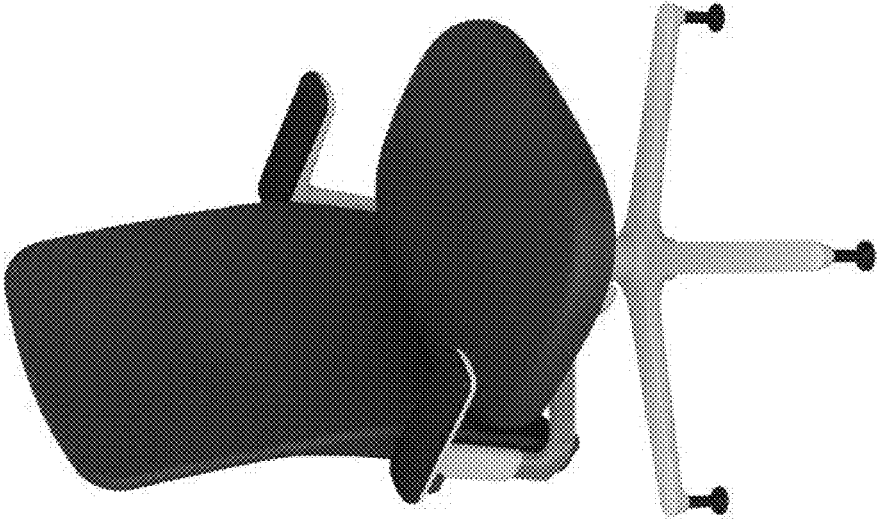


Fig. 1

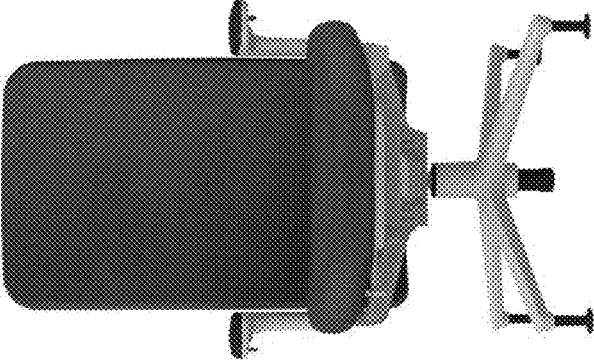


FIG. 2

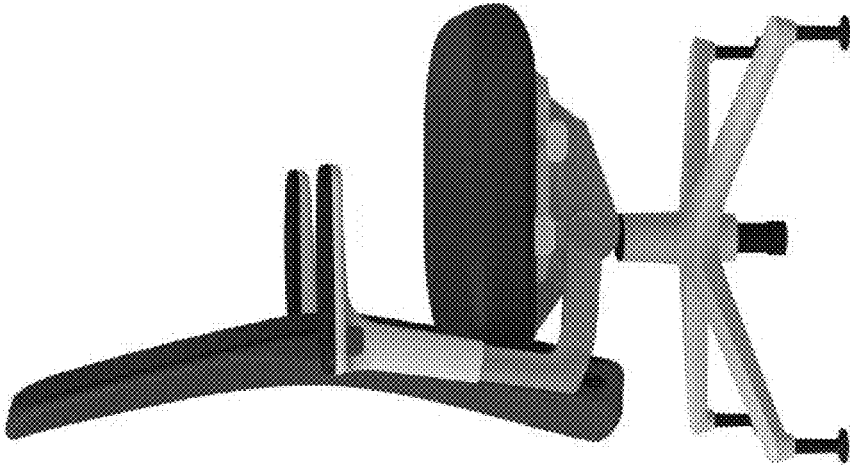


Fig. 3

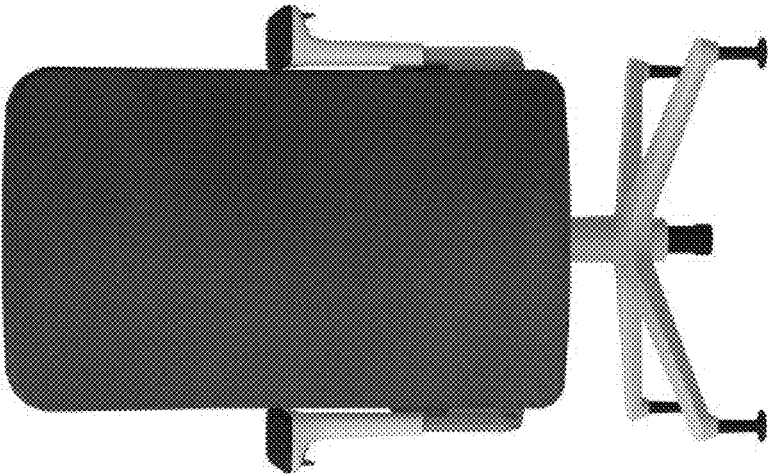


Fig. 4

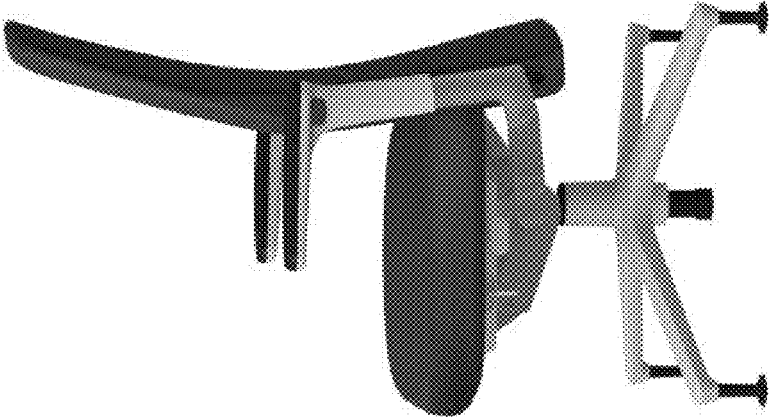


Fig. 5

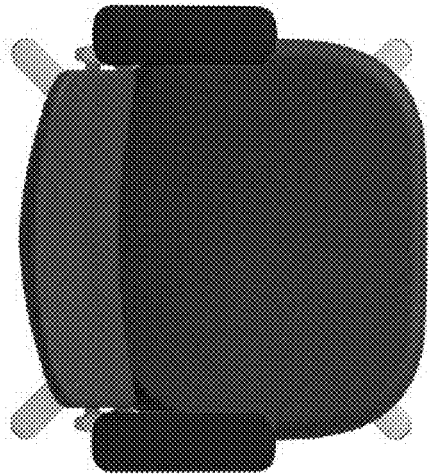


Fig. 6

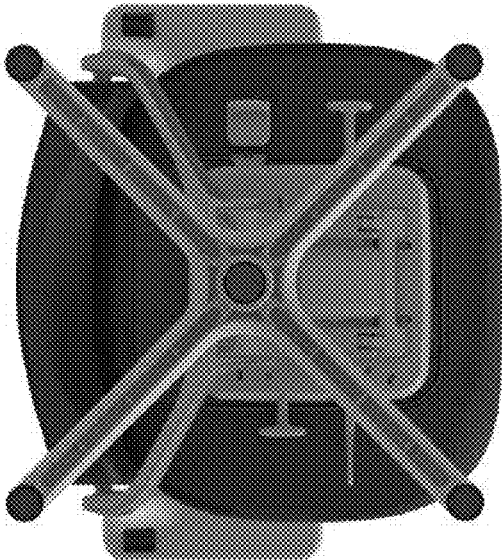


Fig. 7