

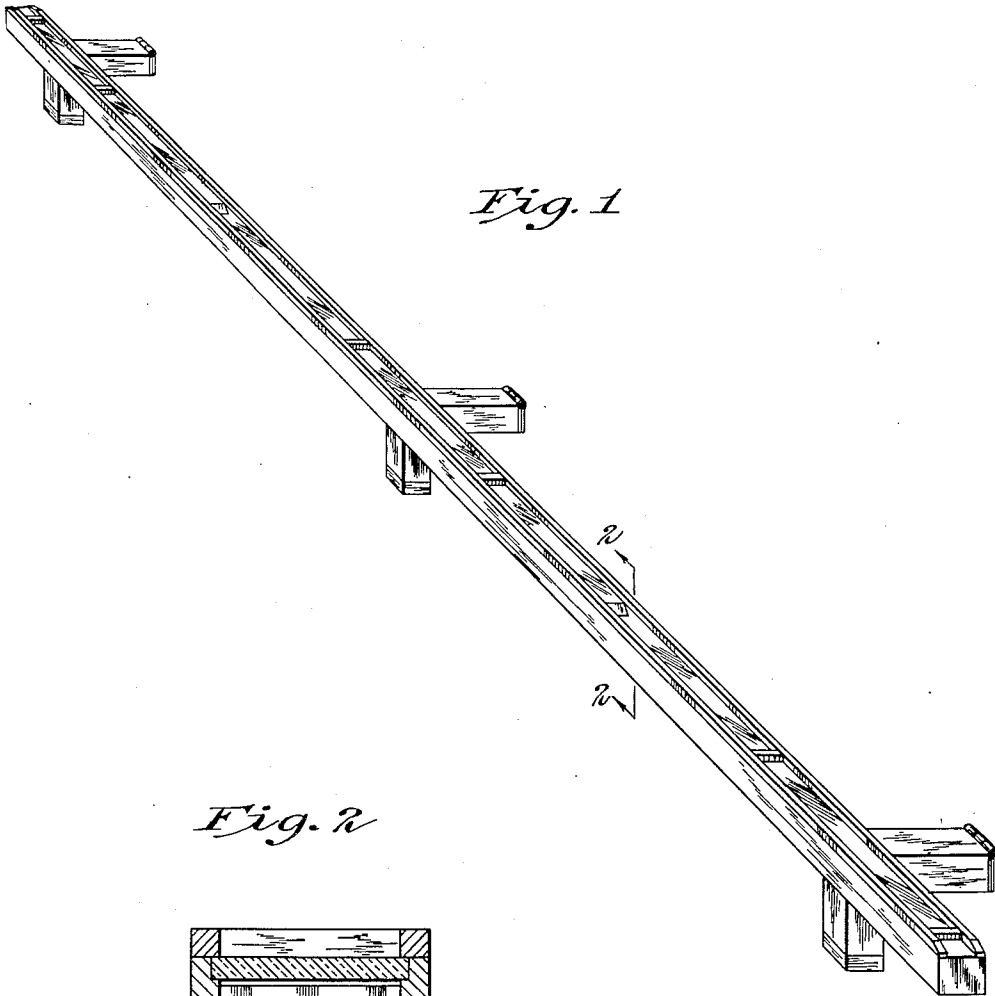
Dec. 15, 1936.

E. A. NEUMANN

Des. 102,389

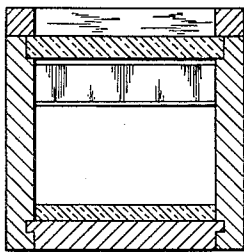
BAR FOOT RAIL

Filed March 23, 1936



*Fig. 1*

*Fig. 2*



Inventor  
*Edward A. Neumann*  
By *H. S. Johnson*  
Attorney

# UNITED STATES PATENT OFFICE

102,389

## DESIGN FOR A BAR FOOTRAIL

Edward A. Neumann, North St. Paul, Minn.

Application March 23, 1936, Serial No. 61,746

Term of patent 7 years

*To all whom it may concern:*

Be it known that I, Edward A. Neumann, a citizen of the United States, residing at North St. Paul, in the county of Ramsey and State of Minnesota, have invented a new, original, and ornamental Design for a Bar Footrail, of which the following is a specification, reference being had to the accompanying drawing, forming part thereof:

Figure 1 is a perspective view of the bar footrail, showing my design; and

Figure 2 is a cross-sectional view thereof taken on line 2—2 of Figure 1.

I claim:

The ornamental design for a bar footrail, as shown.

EDWARD NEUMANN.