



US00D447266B1

(12) **United States Design Patent** (10) **Patent No.:** **US D447,266 S**  
**Verfuert** (45) **Date of Patent:** **\*\* Aug. 28, 2001**

(54) **OVERHEAD DOWNLIGHT FLUORESCENT LIGHT FIXTURE**

*Primary Examiner*—Susan J. Lucas  
(74) *Attorney, Agent, or Firm*—Robert T. Johnson

(76) **Inventor:** **Neal R. Verfuert**, 642 Western Ave.,  
Random Lake, WI (US) 53075

(57) **CLAIM**

(\*\*) **Term:** **14 Years**

The ornamental design for an overhead downlight fluorescent light fixture, as shown and described.

(21) **Appl. No.:** **29/137,034**

**DESCRIPTION**

(22) **Filed:** **Feb. 13, 2001**

(51) **LOC (7) Cl.** ..... **26-05**

(52) **U.S. Cl.** ..... **D26/76**

(58) **Field of Search** ..... D26/75, 76, 77,  
D26/78; 362/217, 218, 220, 222

FIG. 1—is a top plan view for an ornamental design for an overhead downlight fluorescent light fixture showing my new design.

FIG. 2—is a cross section elevational view thereof.

FIG. 3—is a left side elevational view thereof.

FIG. 4—is a front side elevational view thereof and,

FIG. 5—is a perspective view of the ornamental design thereof; and,

FIG. 6—is a plan view of the bottom of the ornamental design for an overhead downlight fluorescent light fixture.

The right side elevational view is a mirror image of the left side elevational view shown in FIG. 3.

The back side elevational view is a mirror image of the front side elevational view shown in FIG. 4.

The dashed lines of hanger cable and power line, shown in FIGS. 1, 2, 3, 4 and 5, are for illustration only, and form no part of this invention.

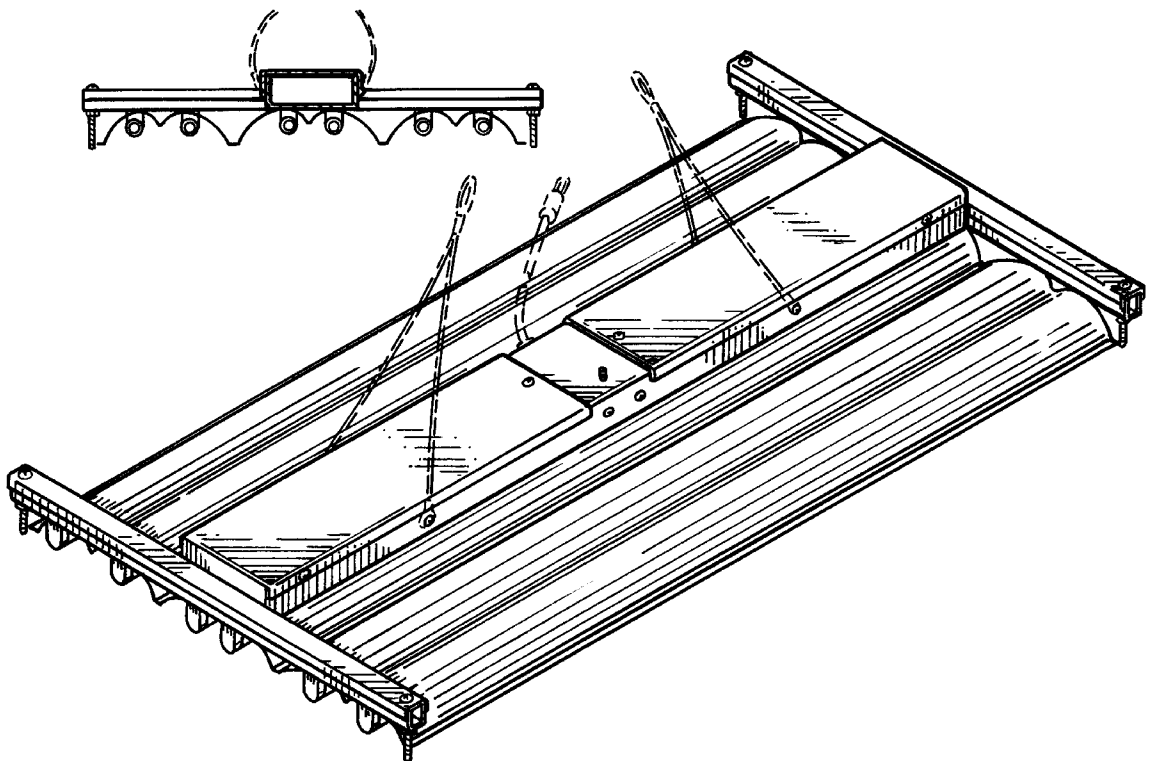
(56) **References Cited**

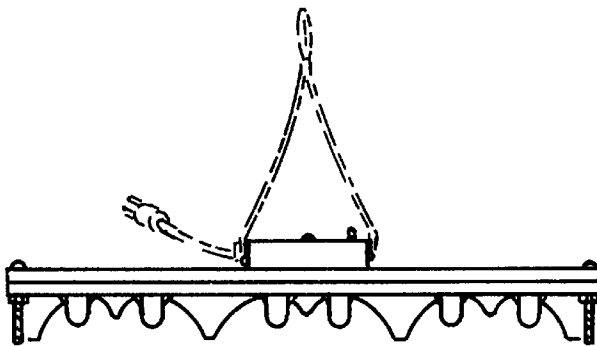
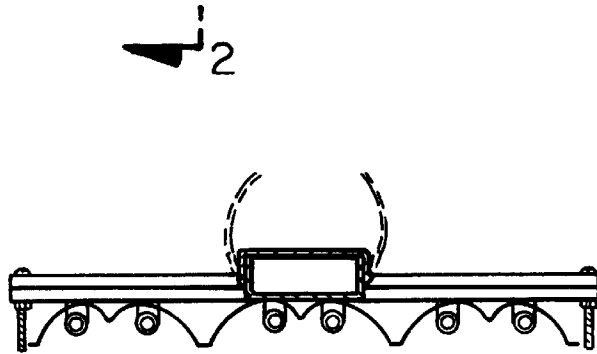
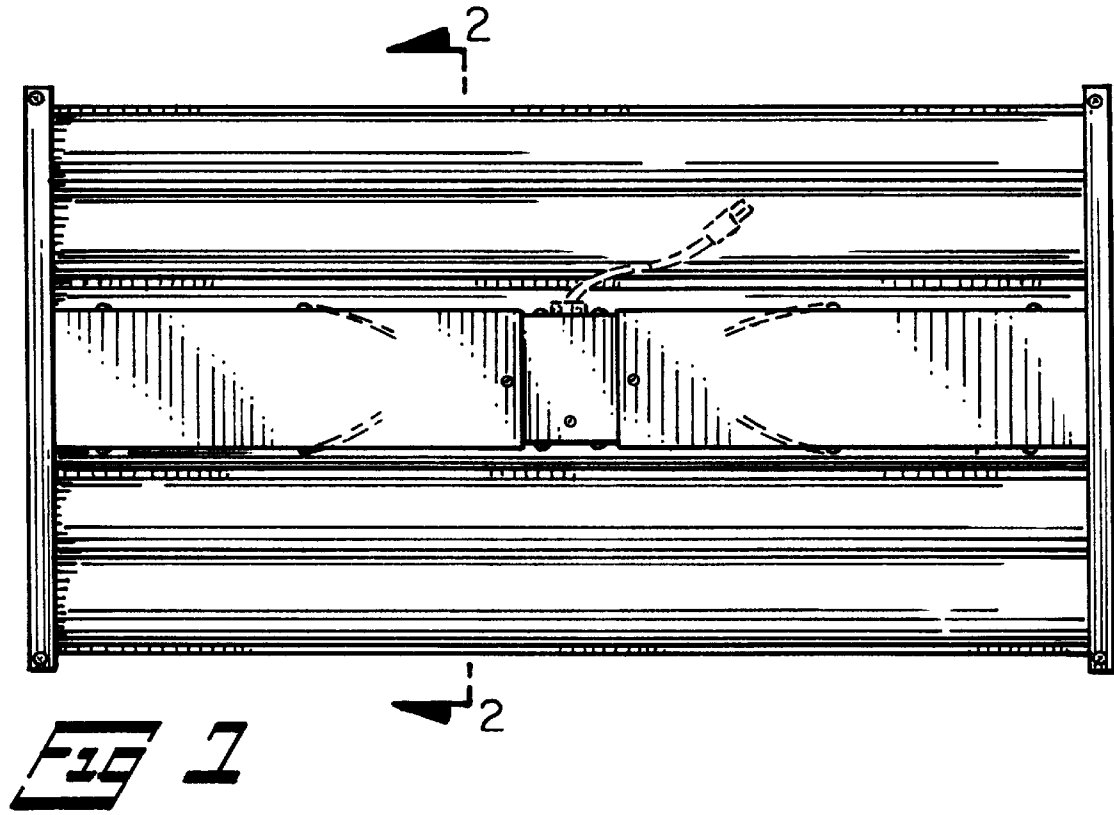
**U.S. PATENT DOCUMENTS**

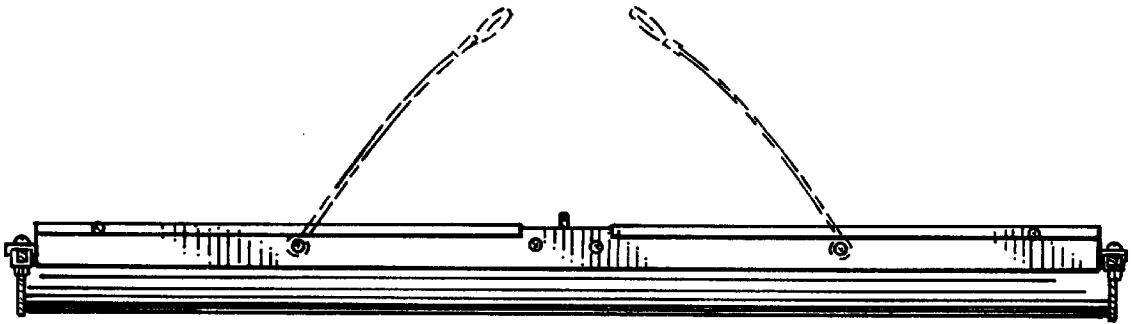
D. 142,126	*	8/1945	Sabatini	.....	D26/75
D. 147,812	*	11/1947	Picker	.....	D26/75
D. 150,735	*	8/1948	Schwartz et al.	.....	D26/75
D. 329,919		9/1992	Jahn	.....	D26/75
D. 364,478		11/1995	Pesau	.....	D26/76
D. 365,409		12/1995	Lu	.....	D26/77
D. 395,727		6/1998	Thorton, Jr.	.....	D26/74
D. 399,019		9/1998	Wilmotte	.....	D26/74
D. 434,167	*	11/2000	Foster	.....	D26/76
5,727,871		3/1998	Kotloff	.....	362/225
6,059,424		5/2000	Kotloff	.....	362/220

\* cited by examiner

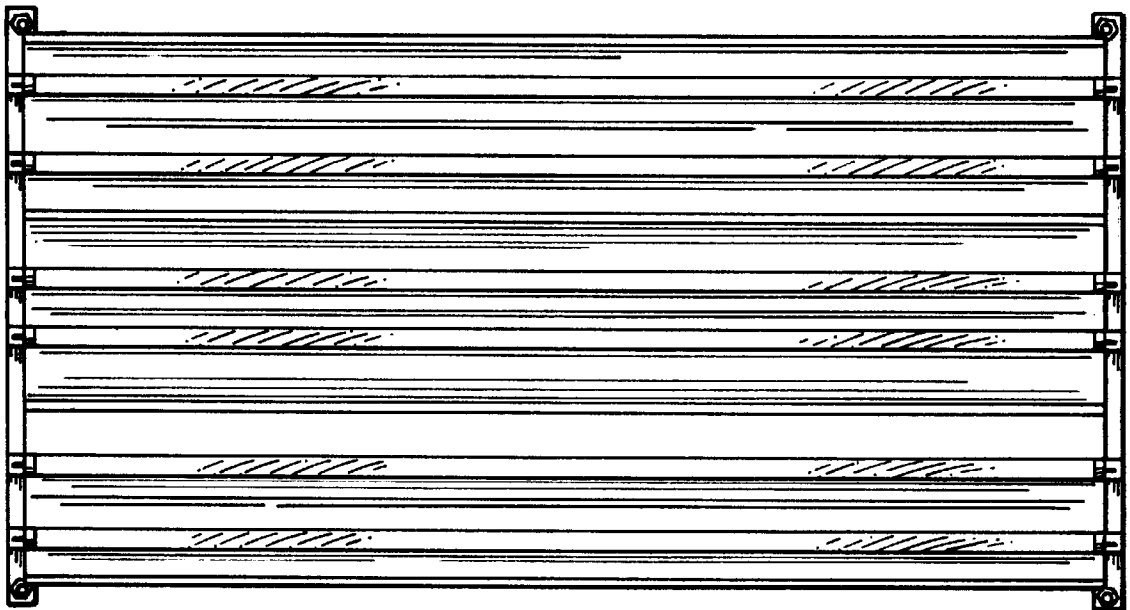
**1 Claim, 3 Drawing Sheets**







**FIG 4**



**FIG 6**

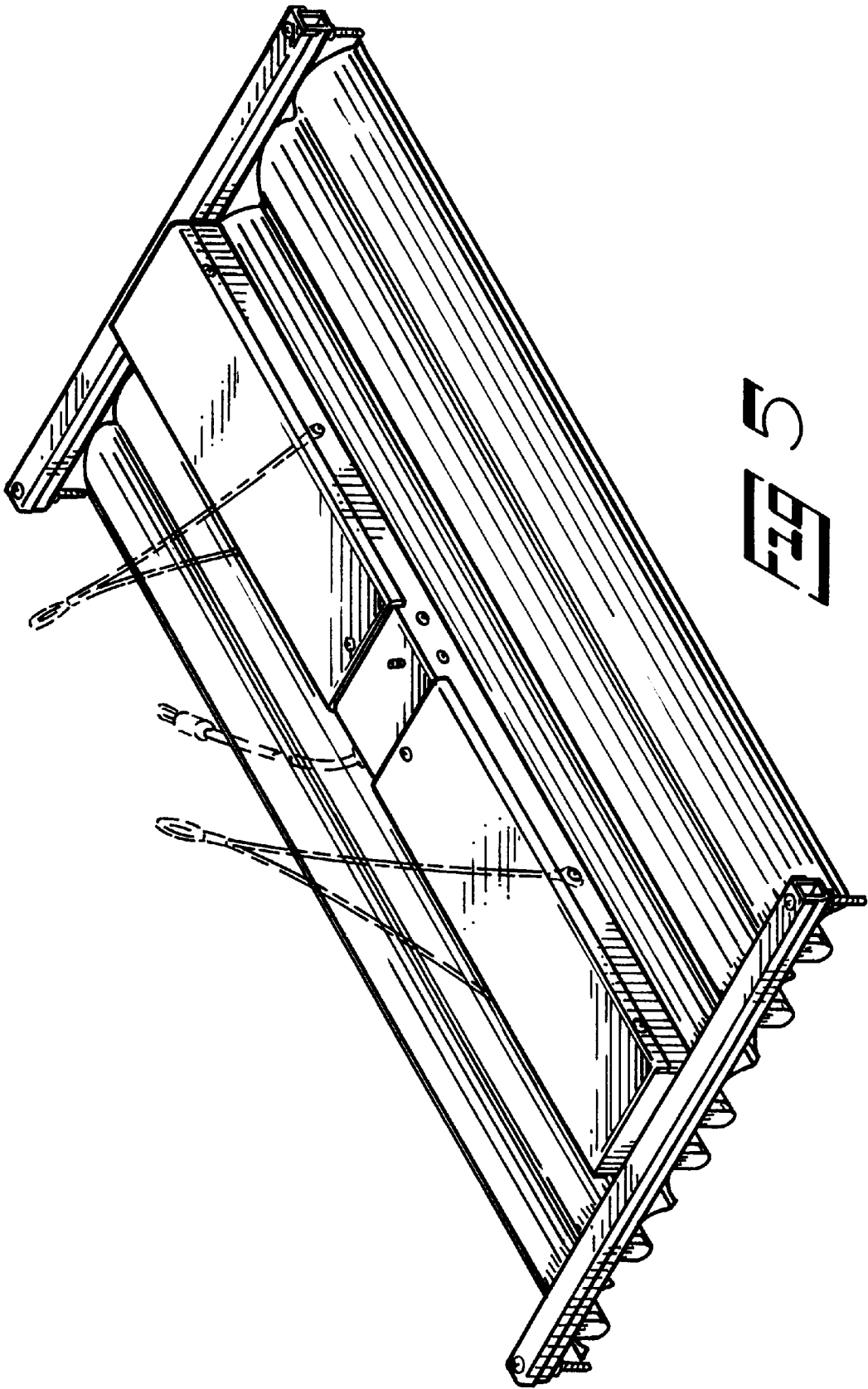


FIG 5