



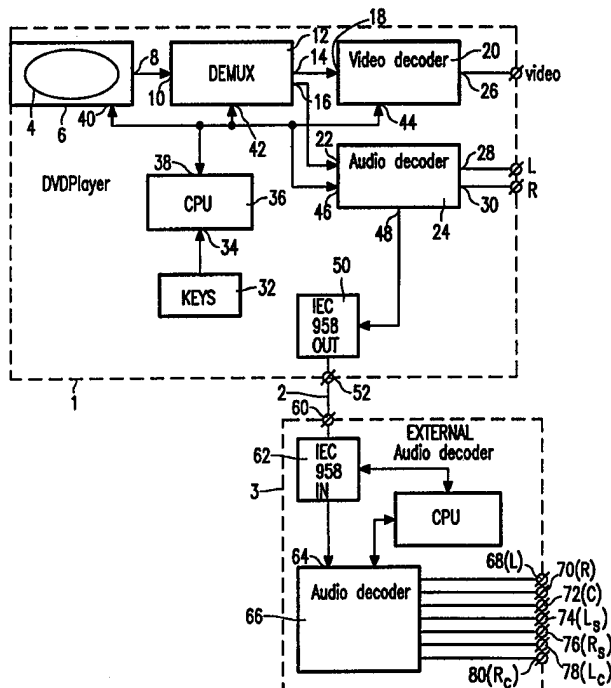
INTERNATIONAL APPLICATION PUBLISHED UNDER THE PATENT COOPERATION TREATY (PCT)

<p>(51) International Patent Classification ⁶ : G11B 20/22</p>	<p>A2</p>	<p>(11) International Publication Number: WO 98/55998 (43) International Publication Date: 10 December 1998 (10.12.98)</p>
<p>(21) International Application Number: PCT/IB98/00583 (22) International Filing Date: 20 April 1998 (20.04.98) (30) Priority Data: 97201658.8 3 June 1997 (03.06.97) EP (34) Countries for which the regional or international application was filed: NL et al. (71) Applicant: KONINKLIJKE PHILIPS ELECTRONICS N.V. [NL/NL]; Groenewoudseweg 1, NL-5621 BA Eindhoven (NL). (71) Applicant (for SE only): PHILIPS AB [SE/SE]; Kottbygatan 7, Kista, S-164 85 Stockholm (SE). (72) Inventor: VAN STEENBRUGGE, Bernard; Prof. Holstlaan 6, NL-5656 AA Eindhoven (NL). (74) Agent: VAN DER KRUK, Willem, L.; Internationaal Octrooibureau B.V., P.O. Box 220, NL-5600 AE Eindhoven (NL).</p>		<p>(81) Designated States: BR, CN, HU, JP, KR, SG, VN, European patent (AT, BE, CH, CY, DE, DK, ES, FI, FR, GB, GR, IE, IT, LU, MC, NL, PT, SE). Published <i>Without international search report and to be republished upon receipt of that report.</i></p>

(54) Title: APPARATUS AND METHOD FOR REPRODUCING A DIGITAL AUDIO SIGNAL FROM A RECORD CARRIER

(57) Abstract

A reproducing apparatus (1) is disclosed for reproducing an audio signal from a record carrier, the record carrier having a first digital audio signal (a PCM encoded audio signal) recorded on it in a first format and a second digital audio signal (an MPEG encoded multi channel audio signal) recorded on it in a second format. The apparatus comprises a read unit (6) for reading an information signal from the record carrier (4), a decoding unit (12) for channel decoding the information signal read from the record carrier into a decoded information signal, a keyboard (32) for receiving a selection signal and an output terminal (52) for supplying an output signal which comprises either the first digital audio signal or the second digital audio signal in response to said selection signal. An output circuit (50) is available to include an identification signal (bit b_1) into said output signal, said identification signal indicating that said output signal comprises either said first digital audio signal or another audio signal. Further, a muting circuit (24) is present for muting the first digital audio signal supplied by the output circuit (50) in response to an occurrence of said selection signal for selecting said second audio signal. Said muting circuit maintains said output circuit (50) in a muted situation from said moment of occurrence (t_0) of said selection signal until a certain time interval (t_2-t_1) after the corresponding change in said identification signal.



FOR THE PURPOSES OF INFORMATION ONLY

Codes used to identify States party to the PCT on the front pages of pamphlets publishing international applications under the PCT.

AL	Albania	ES	Spain	LS	Lesotho	SI	Slovenia
AM	Armenia	FI	Finland	LT	Lithuania	SK	Slovakia
AT	Austria	FR	France	LU	Luxembourg	SN	Senegal
AU	Australia	GA	Gabon	LV	Latvia	SZ	Swaziland
AZ	Azerbaijan	GB	United Kingdom	MC	Monaco	TD	Chad
BA	Bosnia and Herzegovina	GE	Georgia	MD	Republic of Moldova	TG	Togo
BB	Barbados	GH	Ghana	MG	Madagascar	TJ	Tajikistan
BE	Belgium	GN	Guinea	MK	The former Yugoslav Republic of Macedonia	TM	Turkmenistan
BF	Burkina Faso	GR	Greece			TR	Turkey
BG	Bulgaria	HU	Hungary	ML	Mali	TT	Trinidad and Tobago
BJ	Benin	IE	Ireland	MN	Mongolia	UA	Ukraine
BR	Brazil	IL	Israel	MR	Mauritania	UG	Uganda
BY	Belarus	IS	Iceland	MW	Malawi	US	United States of America
CA	Canada	IT	Italy	MX	Mexico	UZ	Uzbekistan
CF	Central African Republic	JP	Japan	NE	Niger	VN	Viet Nam
CG	Congo	KE	Kenya	NL	Netherlands	YU	Yugoslavia
CH	Switzerland	KG	Kyrgyzstan	NO	Norway	ZW	Zimbabwe
CI	Côte d'Ivoire	KP	Democratic People's Republic of Korea	NZ	New Zealand		
CM	Cameroon		Republic of Korea	PL	Poland		
CN	China	KR	Republic of Korea	PT	Portugal		
CU	Cuba	KZ	Kazakstan	RO	Romania		
CZ	Czech Republic	LC	Saint Lucia	RU	Russian Federation		
DE	Germany	LI	Liechtenstein	SD	Sudan		
DK	Denmark	LK	Sri Lanka	SE	Sweden		
EE	Estonia	LR	Liberia	SG	Singapore		

Apparatus and method for reproducing a digital audio signal from a record carrier.

The invention relates to an apparatus for reproducing a digital audio signal from a record carrier, the record carrier having a first digital audio signal recorded on it in a first format and a second digital audio signal recorded on it in a second format, the apparatus comprising

- 5 - read means for reading an information signal from the record carrier,
- decoding means for channel decoding the information signal read from the record carrier into a decoded information signal,
- input means for receiving a selection signal,
- output means for supplying an output signal which comprises either the first digital audio
- 10 signal or the second digital audio signal in response to said selection signal, said output means further being adapted to include an identification signal into said output signal, said identification signal indicating that said output signal comprises either said first digital audio signal or another audio signal, and to a method for reproducing said digital audio signal. An apparatus as defined in the opening paragraph is well known in the art in the form of a DVD
- 15 video reproducing apparatus, such as described in the JEI, December 1996, the publication titled 'Intriguing DVD technology opens broad possibilities', pp. 21 -25, document D1 in the list of related documents that can be found at the end of this description.

20 DVD video disks have a first digital audio signal stored on it in a first format, which is the well known linear PCM format. The first digital audio signal comprise the left and right hand signal components of a stereo audio signal. Further, the DVD disk has a second digital audio signal stored on it in a second format, which is in an MPEG encoded format. The second digital signal can be in a multi channel form and may comprise left and

25 right hand signal components, as well as a centre signal component and one or two surround signal components.

The apparatus has an IEC 958 output interface for supplying the audio signals to an external decoder, which comprise a multi channel decoder for decoding the second digital audio signal into said signal components.

The invention aims at providing an improved reproduction apparatus. The reproducing apparatus in accordance with the invention further comprises

- muting means for muting the first digital audio signal supplied by the output means in response to an occurrence of said selection signal for selecting said second audio signal, said muting means maintaining said output means in a muted situation from said moment of occurrence of said selection signal until a certain time interval after the corresponding change in said identification signal.

The invention is based on the following recognition. The prior art reproducing apparatus has the possibility to reproduce at least two digital audio signals. The first audio signal can be the audio signal that is encoded in linear PCM form. When reproducing the first digital audio signal, this audio signal is applied to the output means, such as the IEC 958 digital audio interface, and can be supplied to an external audio decoder apparatus. For decoding the linear PCM audio signal, the external apparatus comprise an D/A converter.

When switching over the prior art reproducing apparatus in a second reproduction mode, in which an MPEG encoded audio signal is reproduced, the MPEG encoded audio signal is supplied to the IEC 958 audio interface. The external apparatus further comprise an MPEG decoder in order to decode the MPEG encoded audio signal. Upon switching the prior art reproducing apparatus into the second reproduction mode, the information stream on the IEC 958 interface changes from a linear PCM encoded audio signal into an MPEG encoded audio signal. The external apparatus has to detect the change in contents of the information stream. This requires some time. During this time interval, however, the D/A converter receives information that it cannot decode. As a result, a severely distorted signal will be outputted by the external apparatus, which signal may destroy the loudspeakers coupled to the external apparatus.

By muting the audio signal supplied to the IEC 958 interface during the transition, it will be avoided that a severely distorted output signal will be generated by the external apparatus. This muting is realized by detecting the selection signal and generating a mute signal in response thereto. Further, the muting is maintained a certain time interval after the corresponding change in said identification signal. The identification signal is, in the example of the IEC 958 interface, the second bit (b_1) in the channel status signal channel on the IEC 958 interface. This bit identifies the interface to be in a 'normal audio mode' or in a 'non-audio mode'. In the 'normal audio mode', the audio signal present on the interface is a linear PCM encoded audio signal, that can be decoded by a standard D/A converter in the

external apparatus. When no linear PCM encoded audio signal, such as the MPEG encoded signal, is present on the interface, the interface is in the 'non-audio mode'. The length of the certain time interval identified above, has a relationship with the time interval that the external apparatus needs to detect the change in said identification signal.

5

These and other aspects of the invention will be apparent from and elucidated with respect to the embodiments described hereafter in the figure description, in which

figure 1 shows an embodiment of the reproduction apparatus of the invention,
10 coupled to an external decoder, and

figure 2 shows some timing diagrams.

Figure 1 shows the combination of a reproduction apparatus 1 in accordance
15 with the invention, which is coupled via an IEC 958 interface bus 2 with an external audio decoder apparatus 3. In the present example, the reproduction apparatus 1 is in the form of a DVD player for reproducing information from a DVD video disk 4. The reproduction apparatus 1 comprises a reading unit 6, comprising a read head (not shown), such as an optical read head, for reading the information from the disk 4 and for supplying the
20 information read from the disk 4 to an output 8. The output 8 is coupled to an input 10 of a demultiplexer 12, which has two outputs 14 and 16. The output 14 is coupled to an input 18 of a video decoder 20 and the output 16 is coupled to an input 22 of an audio decoder 24. An output 26 of the video decoder 20 forms a video output of the apparatus 1. The audio decoder 24 has two outputs 28 and 30 that form a stereo audio output of the apparatus 1.

25 The apparatus 1 further comprises keys 32 for inputting instructions to the apparatus by a user. The keys 32 are coupled to an input 34 of a central processing unit 36. An input/output terminal 38 of the processing unit 36 is coupled to corresponding control input/output terminals 40, 42, 44 and 46 of the reading unit 6, the demultiplexer unit 12, the video decoder 20 and the audio decoder 24 respectively. A further output 48 of the audio
30 decoder 24 is coupled to an output unit 50, for supplying an audio signal in accordance with the IEC 958 audio interface format to an output terminal 52.

The apparatus 1 is adapted to read the information recorded on the disk 4 and to supply the information read from the disk to the demultiplexer 12. In the demultiplexer some channel decoding will be carried out so as to obtain channel decoded information

.Further, the demultiplexer 12 derives video signal information from the channel decoded information and supplies this information to the output 14, for further processing in the video decoder 20, and derives audio signal information from the channel decoded information and supplies this information to the output 16, for further processing in the audio decoder 24.

5 In response to a selection made by the user via the keys 32, the central processing unit 36 generates a control signal for the audio decoder 24, which enables the audio decoder 24 to select either the linear PCM encoded signal or the MPEG encoded audio signal from the audio signal information and supplies the selected audio signal to the outputs 28,30.

10 When the linear PCM encoded audio signal is selected for further processing, the audio decoder 24 retrieves this PCM audio signal from the information supplied to its input 22 and supplies this PCM audio signal to a D/A converter (not shown) present in the decoder 24. As a result, a stereo audio signal is supplied to the outputs 28,30 of the apparatus 1.

15 When the MPEG encoded audio signal is selected, the audio decoder 24 retrieves the information corresponding to the MPEG encoded multi channel audio signal from the signal applied to its input 22 and derives a compatible stereo signal therefrom, which is supplied to the outputs 28,30.

20 It should thus be noted that, in the present example, for economical reasons, the apparatus 1 is not provided with a multi channel output, in order to supply the multi channel audio signal as such to an output.

In order to enable the reproduction of this multi channel audio signal, it is required to couple an external multi channel audio decoder, such as the decoder 3, to the apparatus 1. This is realized in figure 1 by coupling the apparatus 1 to the decoder 3 via the
25 IEC 958 audio interface 2.

The structure and the format of the IEC 958 audio interface is well known in the art. Reference is made in this respect to the IEC Standard 958, document D2 in the list of related documents. Further, reference is made to WO 97/133.339, which corresponds to US ser. no. 08/724,390, (PHN 15.503), document D3 in the list of related documents and
30 PCT international patent appln. no. IB96/1267 (PHN 15.603), document D4 in the list of related documents, which disclose an extended format for also transmitting multi channel audio signals.

The information stream on the IEC 958 interface is built up of successive blocks of 192 frames (denoted frame no. 0 to frame no. 191), each frame comprising two

subframes. Each subframe is divided into 32 time slots (or bits), numbered 0 to 31. One channel which is comprised in the information stream, is the channel comprising the 'channel status' signal. The 'channel status' signal is the signal comprised in the 31st time slot (bit no. 30) in each subframe. The 'channel status' signal is organized in 192-bit words, denoted b_0 to b_{191} inclusive. The bit b_1 indicates, when being '0', that the interface is in a 'normal audio' transmission mode. In this situation, regular linear PCM encoded audio signals are transmitted via the interface, so that a D/A converter coupled to the interface can decode the PCM encoded audio signals. The bit b_1 , when being '1', indicates that the interface is in a 'non-audio' transmission mode.

10 When the apparatus 1 is switched into the first reproduction mode, in which the linear PCM encoded audio signal is selected in the apparatus 1 for reproduction, the audio decoder 24 retrieves the left and right hand signal components of the stereo audio signal from the signal applied to its input 22 and is supplies them in the IEC 958 transmission format to the output 52. The bit b_1 in the channel status signal is now '0'.

15 When the MPEG encoded audio signal is selected, the audio decoder 24 retrieves the information corresponding to the MPEG encoded multi channel audio signal from the signal applied to its input 22 and supplies the multi channel audio signal in the IEC 958 transmission format to the output 52. The bit b_1 in the channel status signal is now '1'.

 The functioning of the reproduction apparatus 1 will now further be described with reference to the signal diagrams of figure 2a to 2c. It will be explained how the apparatus 1 functions under the influence of a selection made by the user via the keys 32, to select the MPEG encoded audio signal instead of the PCM encoded audio signal for reproduction. Prior to a time instant t_0 , the reproduction apparatus is in the first reproduction mode, in which the PCM encoded audio signal is reproduced. Figure 2a shows the selection signal supplied by the processing unit 36 to the audio decoder 24, which selection signal is 'low', prior to the time instant t_0 . Upon selecting the second reproduction mode, the selection signal supplied by the CPU 36 to the audio decoder 24 changes from a 'low' state to a 'high' state at the time instant t_0 , see figure 2a. In response to the change in the selection signal, as shown in figure 2a, the audio decoder 24 mutes its output during a time interval that follows the change in the selection signal. As an example, this mute period starts upon the change of the selection signal at the time instant t_0 , and lasts for a time period of t_2-t_0 , see figure 2b. More specifically, this time period is determined by the moment at which the bit b_1 in the channel status signal changes, namely at the time instant t_1 , see figure 2c, and lasts a time interval t_2-t_1 after this time instant. The time interval t_2-t_1 is determined by the

time required by the external audio decoder to detect the first time the bit b_1 in the channel status signal changes from '0' to '1'. As the rate of occurrence of the bit b_1 in the channel status signal is roughly 500 Hz, this time interval t_2-t_1 is 2 ms at minimum.

In order to safeguard a correct detection of the change of the bit b_1 in the
5 channel status signal, by the external audio decoder to be connected via the interface 2 to the apparatus 1, the time interval t_2-t_1 could have a substantially larger value, such as eg. 8.2 ms.

Thus, prior to the time instant t_0 , the audio decoder 48 supplies a PCM encoded stereo
10 audio signal via the interface 2, is in a muted mode in the time interval between t_0 and t_2 , so that zero amplitude audio samples are supplied via the interface 2 and supplies the multi channel audio signal in MPEG encoded form via the interface 2 after the time instant t_2 .

This avoids an external audio encoder coupled to the apparatus 1 to generate a severely distorted output signal at its audio output(s).

15 The external audio decoder 3 comprises an input terminal 60 for receiving the IEC 958 transmission signal. The terminal 60 is coupled to an input unit 62, for receiving an audio signal in accordance with the IEC 958 audio interface format. An output of the input unit 62 is coupled to an input 64 of an audio decoder 66. The audio decoder 66 can have various audio outputs, such as the outputs 68,70 for supplying the left (L) and right (R) hand
20 signal components of the PCM encoded stereo audio signal, the outputs 72, 74 and 76 for supplying the centre signal (C), the left surround signal (Ls) and the right surround signal (Rs), respectively, and further, if required, outputs 78,80 for supplying a centre left (Lc) and centre right (Rc) signal component.

When the apparatus 1 is in the first reproduction mode, prior to the time instant
25 t_0 (see figure 2a), it supplies a PCM encoded audio signal to the external decoder 3, via the IEC 958 interface 2. In response thereto, the decoder 3 supplies a stereo signal L,R via its outputs 68,70. Upon switching the apparatus 1 into the second reproduction mode, the decoder 3 receives a muted signal during the time interval between t_0 and t_2 and thus supplies no output signal (in fact a zero output signal) to its outputs. 'Somewhere' in the time
30 interval between the time instants t_1 and t_2 , the audio decoder 3 detects the change in value of the bit b_1 in the channel status signal, so that it switches the audio decoder 66 into an MPEG audio decoding mode.

After the time instant t_2 , the audio decoder 3 receives the MPEG encoded multi channel audio signal via the interface 2, which can be decoded by the decoder 3 in a correct

way.

Whilst the invention has been described with reference to preferred embodiments thereof, it is to be understood that these are not limitative examples. Thus, various modifications may become apparent to those skilled in the art, without departing
5 from the scope of the invention, as defined by the claims.

Further, the invention lies in each and every novel feature or combination of features.

Related documents

- (D1) JEI, December 1996, pp. 21 - 25, the publication titled 'Intriguing DVD technology opens broad possibilities'.
- 5 (D2) International Standard IEC 958, first edition, 1989-03.
- (D3) Published PCT patent application no. WO 97/133,339-A1, which corresponds to US ser. no. 08/724,390 (PHN 15.503)
- (D4) PCT international patent application no. IB 96/1267 (PHN 15.603)

CLAIMS

1. Apparatus for reproducing a digital audio signal from a record carrier, the record carrier having a first digital audio signal recorded on it in a first format and a second digital audio signal recorded on it in a second format, the apparatus comprising
- read means for reading an information signal from the record carrier,
 - 5 - decoding means for channel decoding the information signal read from the record carrier into a decoded information signal,
 - input means for receiving a selection signal,
 - output means for supplying an output signal which comprises either the first digital audio signal or the second digital audio signal in response to said selection signal, said output
 - 10 means further being adapted to include an identification signal into said output signal, said identification signal indicating that said output signal comprises either said first digital audio signal or another audio signal,
- wherein the apparatus further comprises
- muting means for muting the first digital audio signal supplied by the output means in
 - 15 response to an occurrence of said selection signal for selecting said second audio signal, said muting means maintaining said output means in a muted situation from said moment of occurrence of said selection signal until a certain time interval after the corresponding change in said identification signal.
2. Apparatus as claimed in claim 1, wherein said time interval has a length larger
- 20 than or equal to the time required in a receiver coupled to said apparatus via said output means to detect said change in the identification signal.
3. Apparatus as claimed in claim 2, wherein said time interval has a length larger than 2 ms.
4. Apparatus as claimed in claim 1, wherein said first digital audio signal is a
- 25 PCM encoded audio signal.
5. Apparatus as claimed in claim 1, wherein said second digital audio signal is an MPEG encoded audio signal.
6. Apparatus as claimed in claim 1, wherein said output means is adapted to supply said output signal on an IEC 958 interface channel.

7. Apparatus as claimed in claim 6, wherein said identification signal is the second bit (b_1) in the channel status signal on the IEC 958 interface
8. Method of reproducing a digital audio signal from a record carrier, the record carrier having a first digital audio signal recorded on it in a first format and a second digital audio signal recorded on it in a second format, the method comprising the steps of
- 5 - reading an information signal from the record carrier,
- channel decoding the information signal read from the record carrier into a decoded information signal,
- receiving a selection signal,
- 10 - supplying an output signal which comprises either the first digital audio signal or the second digital audio signal in response to said selection signal, and including an identification signal into said output signal, said identification signal indicating that said output signal comprises either said first digital audio signal or another audio signal, wherein the method further comprises
- 15 - muting the first digital audio signal in response to an occurrence of said selection signal for selecting said second audio signal,
and maintaining said muted situation from said moment of occurrence of said selection signal until a certain time interval after the corresponding change in said identification signal.

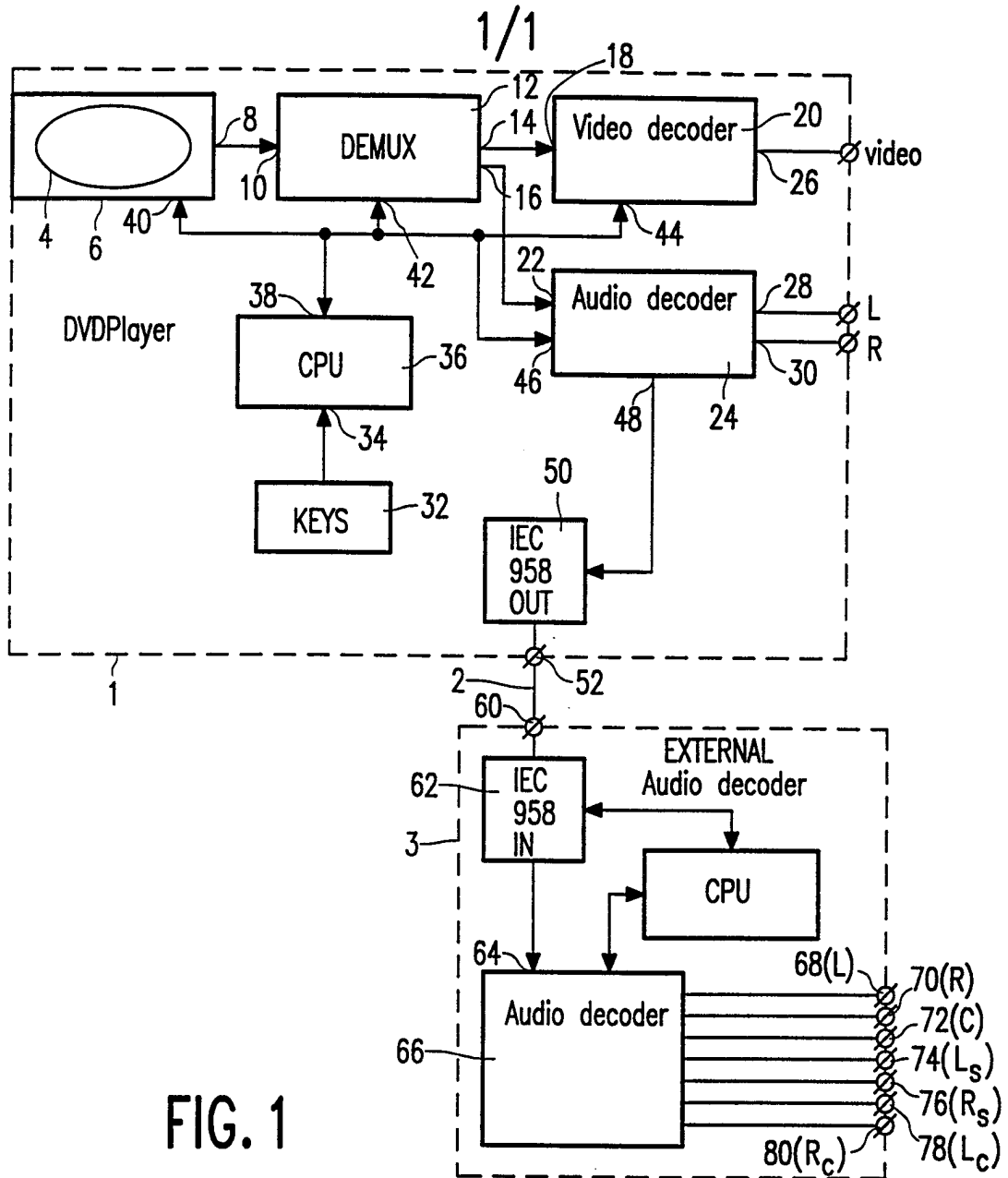


FIG. 1

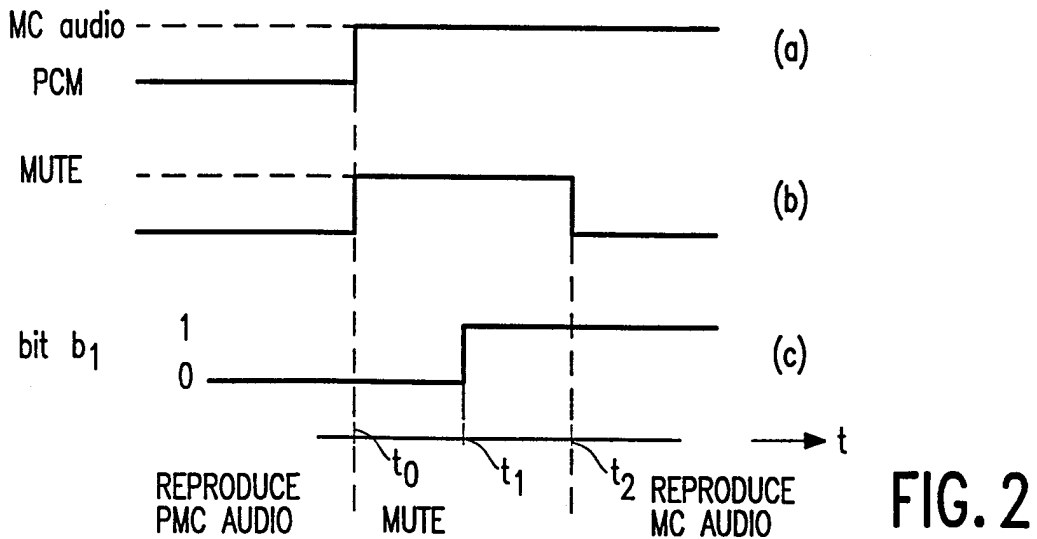


FIG. 2