

(19) World Intellectual Property Organization
International Bureau



(43) International Publication Date
5 January 2012 (05.01.2012)

PCT

(10) International Publication Number
WO 2012/001379 A3

(51) International Patent Classification:
F24F 12/00 (2006.01) *F25B 30/02* (2006.01)

(21) International Application Number:
PCT/GB2011/050645

(22) International Filing Date:
29 March 2011 (29.03.2011)

(25) Filing Language: English

(26) Publication Language: English

(30) Priority Data:
1010759.7 28 June 2010 (28.06.2010) GB

(71) Applicant (for all designated States except US):
SMITH'S ENVIRONMENTAL PRODUCTS LIMITED [GB/GB]; Blackall Industrial Estate, South Woodham Ferrers, Essex CM3 5UW (GB).

(72) Inventor; and

(75) Inventor/Applicant (for US only): **WEBSTER, Gary, Stanton** [GB/GB]; Hawkstone House, Priory Lane, Bicknacre, Essex CM3 4EZ (GB).

(74) Agents: **WALDER, Jeremy, Thomas et al;** Sanderson & Co., 34 East Stockwell Street, Colchester, Essex CO1 1ST (GB).

(81) Designated States (unless otherwise indicated, for every kind of national protection available): AE, AG, AL, AM,

AO, AT, AU, AZ, BA, BB, BG, BH, BR, BW, BY, BZ, CA, CH, CL, CN, CO, CR, CU, CZ, DE, DK, DM, DO, DZ, EC, EE, EG, ES, FI, GB, GD, GE, GH, GM, GT, HN, HR, HU, ID, IL, IN, IS, JP, KE, KG, KM, KN, KP, KR, KZ, LA, LC, LK, LR, LS, LT, LU, LY, MA, MD, ME, MG, MK, MN, MW, MX, MY, MZ, NA, NG, NI, NO, NZ, OM, PE, PG, PH, PL, PT, RO, RS, RU, SC, SD, SE, SG, SK, SL, SM, ST, SV, SY, TH, TJ, TM, TN, TR, TT, TZ, UA, UG, US, UZ, VC, VN, ZA, ZM, ZW.

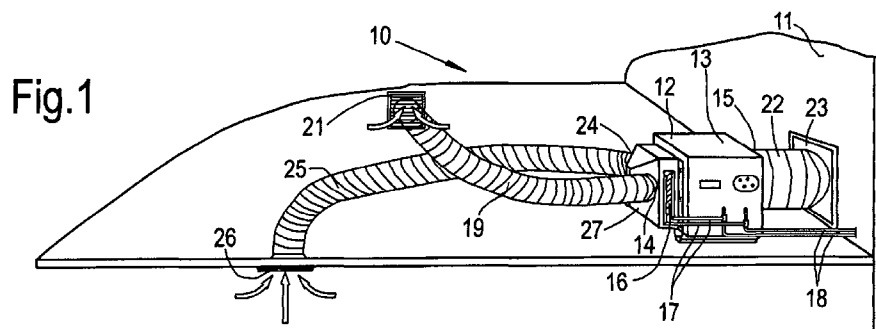
(84) Designated States (unless otherwise indicated, for every kind of regional protection available): ARIPO (BW, GH, GM, KE, LR, LS, MW, MZ, NA, SD, SL, SZ, TZ, UG, ZM, ZW), Eurasian (AM, AZ, BY, KG, KZ, MD, RU, TJ, TM), European (AL, AT, BE, BG, CH, CY, CZ, DE, DK, EE, ES, FI, FR, GB, GR, HR, HU, IE, IS, IT, LT, LU, LV, MC, MK, MT, NL, NO, PL, PT, RO, RS, SE, SI, SK, SM, TR), OAPI (BF, BJ, CF, CG, CI, CM, GA, GN, GQ, GW, ML, MR, NE, SN, TD, TG).

Published:

- with international search report (Art. 21(3))
- before the expiration of the time limit for amending the claims and to be republished in the event of receipt of amendments (Rule 48.2(h))

(88) Date of publication of the international search report:
12 April 2012

(54) Title: MODIFIED HEAT PUMP



(57) Abstract: A modified heat pump (12) comprises a closed circuit around which a refrigerant fluid is circulated, a plenum chamber (13) and an auxiliary heat exchanger (16). The closed circuit has a compressor, a condenser, an expansion valve and an evaporator. The evaporator is located within the plenum chamber (13). The plenum chamber (13) also has an inlet (14) adapted to receive a fluid heat source medium and direct it over the evaporator, thereby to extract heat from said medium, and an outlet (15) adapted to receive cooled medium expelled from the plenum chamber (13). The auxiliary heat exchanger (16) is located between the inlet (14) and the evaporator, and is adapted to warm said medium prior to it passing over the evaporator.



WO 2012/001379 A3

INTERNATIONAL SEARCH REPORT

International application No PCT/GB2011/05Q645

A. CLASSIFICATION OF SUBJECT MATTER
 INV. F24F12/00 F25B30/02
 ADD.

According to International Patent Classification (IPC) or to both national classification and IPC

B. FIELDS SEARCHED

Minimum documentation searched (classification system followed by classification symbols)
 F25B F24F

Documentation searched other than minimum documentation to the extent that such documents are included in the fields searched

Electronic data base consulted during the international search (name of data base and, where practical, search terms used)
 EPO-Internal

C. DOCUMENTS CONSIDERED TO BE RELEVANT

Category*	Citation of document, with indication, where appropriate, of the relevant passages	Relevant to claim No.
X	US 2 829 504 A (SCHLICHTIG RALPH C) 8 April 1958 (1958-04-08) column 2, line 25 - column 9, line 35; figure 2	1-22
X	GB 2 458 901 A (POWRMATIC LTD [GB]) 7 October 2009 (2009-10-07)	1,2,6, 9-14, 18-22
A	the whole document	3-5,7,8, 15-17
X	US 4 449 572 A (LAMBERT ROLAND [US]) 22 May 1984 (1984-05-22) the whole document	1,9-13, 18,19
X	US 5 309 732 A (SAMI SAMUEL [CA]) 10 May 1994 (1994-05-10) the whole document	1

<input checked="" type="checkbox"/> Further documents are listed in the continuation of Box C.	<input checked="" type="checkbox"/> See patent family annex.
--	--

* Special categories of cited documents :

<p>"A" document defining the general state of the art which is not considered to be of particular relevance</p> <p>"E" earlier document but published on or after the international filing date</p> <p>"L" document which may throw doubts on priority claim(s) or which is cited to establish the publication date of another citation or other special reason (as specified)</p> <p>"O" document referring to an oral disclosure, use, exhibition or other means</p> <p>"P" document published prior to the international filing date but later than the priority date claimed</p>	<p>"T" later document published after the international filing date or priority date and not in conflict with the application but cited to understand the principle or theory underlying the invention</p> <p>"X" document of particular relevance; the claimed invention cannot be considered novel or cannot be considered to involve an inventive step when the document is taken alone</p> <p>"Y" document of particular relevance; the claimed invention cannot be considered to involve an inventive step when the document is combined with one or more other such documents, such combination being obvious to a person skilled in the art.</p> <p>"&" document member of the same patent family</p>
--	--

Date of the actual completion of the international search 13 February 2012	Date of mailing of the international search report 24/02/2012
---	--

Name and mailing address of the ISA/ European Patent Office, P.B. 5818 Patentlaan 2 NL - 2280 HV Rijswijk Tel. (+31-70) 340-2040, Fax: (+31-70) 340-3016	Authorized officer de Graaf, Jan Douwe
--	---

INTERNATIONAL SEARCH REPORT

International application No
PCT/GB2011/05Q645

C(Continuation). DOCUMENTS CONSIDERED TO BE RELEVANT		
Category*	Citation of document, with indication, where appropriate, of the relevant passages	Relevant to claim No.
X	wo 02/065026 AI (MUSIAL BJOERN FABIAN [DE] ; H00SE HEINZ DI ETER [DE]) 22 August 2002 (2002-08-22) the whole document -----	1
X	FR 2 909 440 AI (MVM S0C PAR ACTIONS SIMPLI FI EE [FR] MVM [FR]) 6 June 2008 (2008-06-06) f i g u r e 3 -----	1
X	US 4 065 937 A (BURGER MANFRED R ET AL) 3 January 1978 (1978-01-03) the whole document -----	1
X	US 4 227 905 A (BURGER MANFRED ET AL) 14 October 1980 (1980-10-14) the whole document -----	1
A	us 4 510 762 A (RICHARTS FRITZ [DE]) 16 April 1985 (1985-04-16) the whole document -----	1
A	DE 20 2008 015494 UI (FRISCH GERHARD [DE]) 8 April 2010 (2010-04-08) the whole document -----	1

INTERNATIONAL SEARCH REPORT

Information on patent family members

International application No

PCT/GB2011/050645

Patent document cited in search report	Publication date	Publication date	Patent family member(s)	Publication date
US 2829504	A	08-04-1958	NONE	

GB 2458901	A	07--10--2009	NONE	

US 4449572	A	22--05--1984	NONE	

US 5309732	A	10--05--1994	CA 2093501 A1 US 5309732 A	08-10-1993 10-05-1994

WO Q2065026	A1	22--08--2002	DE 10106975 A1 WO 02065026 A1	26-09-2002 22-08-2002

FR 2909440	A1	06-06-2008	NONE	

US 4065937	A	03-01-1978	AR 208818 A1 AU 1787676 A FR 2325888 A1 GB 1532481 A IT 1054470 B JP 52041440 A NL 7600750 A SE 7600185 A US 4065937 A	28-02-1977 13-04-1978 22-04-1977 15-11-1978 10-11-1981 31-03-1977 29-03-1977 26-03-1977 03-01-1978

US 4227905	A	14--10--1980	CH 628416 A5 DE 2718265 A1 FR 2389081 A1 GB 1588682 A JP 54009043 A US 4227905 A	26-02-1982 02-11-1978 24-11-1978 29-04-1981 23-01-1979 14-10-1980

US 4510762	A	16-04-1985	DE 3222406 A1 US 4510762 A	15-12-1983 16-04-1985

DE 202008015494	U1	08-04-2010	NONE	
