



US00D826013S

(12) **United States Design Patent** (10) **Patent No.:** **US D826,013 S**  
**Cigarini et al.** (45) **Date of Patent:** **\*\* Aug. 21, 2018**

(54) **HEAD TRIMMER**  
(71) Applicant: **TECOMEC S.R.L.**, Reggio Emilia (IT)  
(72) Inventors: **Enrico Cigarini**, Reggio Emilia (IT);  
**Salvatore Longo**, Cadelbosco Sopra (IT)  
(73) Assignee: **TECOMEC S.R.L.**, Reggio Emilia (IT)  
(\*\*) Term: **15 Years**  
(21) Appl. No.: **29/598,194**  
(22) Filed: **Mar. 23, 2017**

5,979,064 A \* 11/1999 Kitz ..... A01D 34/4165  
30/276  
6,108,914 A \* 8/2000 Sheldon ..... A01D 34/4166  
30/276  
D460,904 S 7/2002 Riley et al.  
D465,975 S 11/2002 Iacona  
D479,961 S 9/2003 Iacona  
D482,581 S 11/2003 Nystrom  
D482,941 S 12/2003 Nystrom  
D502,368 S 3/2005 Nystrom et al.  
D532,263 S 11/2006 Iacona  
D560,107 S 1/2008 Grey  
D584,581 S 1/2009 Bradford  
D597,804 S 8/2009 Alliss  
D598,254 S 8/2009 Alliss  
D598,255 S 8/2009 Alliss  
7,640,668 B2 1/2010 Iacona  
(Continued)

(30) **Foreign Application Priority Data**  
Oct. 7, 2016 (EM) ..... 003410737-0001  
(51) **LOC (11) Cl.** ..... **08-01**  
(52) **U.S. Cl.**  
USPC ..... **D8/8**  
(58) **Field of Classification Search**  
USPC ..... D8/1, 7, 8, 9, 383, 499; D15/17  
CPC ..... A01D 34/01; A01D 34/4161; A01D  
34/4165; A01D 34/4166; A01D 34/4167;  
A01D 34/015; A01D 34/84; A01G 3/062  
See application file for complete search history.

**FOREIGN PATENT DOCUMENTS**

WO 2013179318 A1 12/2013  
*Primary Examiner* — Sandra S Snapp  
*Assistant Examiner* — Ieisha N Price  
(74) *Attorney, Agent, or Firm* — Pearme & Gordon LLP

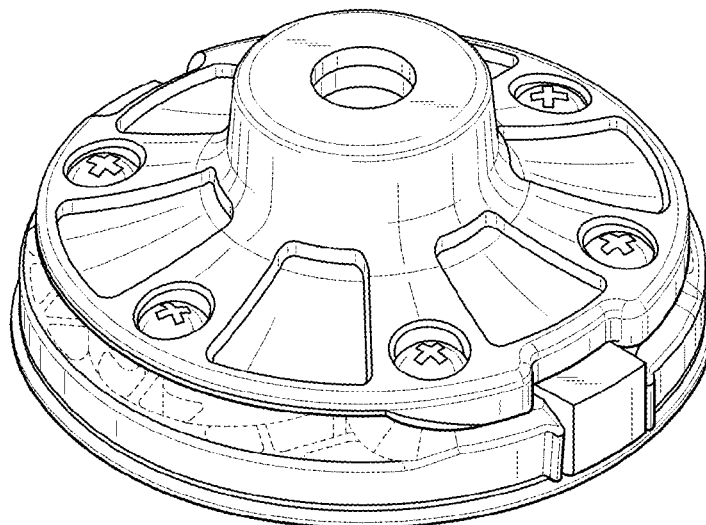
(57) **CLAIM**  
The ornamental design for a head trimmer, as shown and described.

**DESCRIPTION**

FIG. 1 is a perspective view of a head trimmer, showing our new design;  
FIG. 2 is a top view thereof;  
FIG. 3 is a bottom view thereof;  
FIG. 4 is a front view thereof, the back view thereof being identical thereto; and,  
FIG. 5 is a right side view thereof, the left side view thereof being identical thereto.  
The broken lines in the drawings illustrate portions of the head trimmer and form no part of the claimed design.

(56) **References Cited**  
**U.S. PATENT DOCUMENTS**  
4,152,832 A 5/1979 Akaike et al.  
D254,173 S 2/1980 Proulx  
4,195,408 A 4/1980 Palmieri et al.  
4,276,691 A 7/1981 Palmieri et al.  
4,349,962 A 9/1982 Itagaki et al.  
D346,727 S 5/1994 Eriksson  
D347,773 S \* 6/1994 Nash ..... D8/8  
D362,600 S 9/1995 Kiyooka et al.  
D370,489 S \* 6/1996 Taggett ..... D15/17  
D376,741 S 12/1996 Sadlowski

**1 Claim, 3 Drawing Sheets**



(56)

References Cited

U.S. PATENT DOCUMENTS

D630,068 S	1/2011	Proulx		2011/0119932 A1	5/2011	Pfaltzgraff et al.	
7,882,642 B2	2/2011	Proulx		2011/0214295 A1	9/2011	Proulx	
7,913,401 B2 *	3/2011	Iacona	..... A01D 34/4168 30/275.4	2011/0225832 A1	9/2011	Alliss	
D638,678 S	5/2011	Proulx		2011/0289785 A1 *	12/2011	Jerez .....	A01D 34/416 30/347
D638,679 S	5/2011	Proulx		2011/0302791 A1	12/2011	Proulx et al.	
D653,920 S	2/2012	Cigarini		2011/0302793 A1	12/2011	Alliss	
D668,517 S	10/2012	Landberg		2012/0131804 A1	5/2012	Cigarini	
8,510,960 B2	8/2013	Pfaltzgraff et al.		2012/0260508 A1 *	10/2012	Duvall .....	A01D 34/4166 30/347
8,567,073 B2	10/2013	Proulx		2014/0033546 A1 *	2/2014	Arnetoli .....	A01D 34/4166 30/347
8,689,451 B2	4/2014	Cigarini		2014/0215835 A1	8/2014	Racov et al.	
D715,608 S	10/2014	Cigarini		2014/0250699 A1	9/2014	Weimer et al.	
8,869,405 B2	10/2014	Codeluppi et al.		2014/0259692 A1	9/2014	Racov et al.	
D720,970 S	1/2015	Hermann		2015/0010199 A1	1/2015	Kim et al.	
8,925,206 B2	1/2015	Cigarini		2015/0101199 A1	4/2015	Cigarini	
D727,116 S	4/2015	Tinius		2015/0223395 A1	8/2015	Pellenc et al.	
D727,695 S	4/2015	Tinius		2015/0289446 A1	10/2015	Duvall	
D759,445 S	6/2016	Tinius		2015/0327436 A1	11/2015	Skinner et al.	
D763,640 S	8/2016	Cigarini et al.		2015/0366131 A1 *	12/2015	Skinner .....	A01D 34/4166 30/276
D776,995 S	1/2017	Schoch		2016/0106032 A1	4/2016	Cigarini et al.	
D776,997 S	1/2017	Tinius		2016/0106033 A1	4/2016	Longo et al.	
D796,293 S	9/2017	Alliss		2016/0106034 A1	4/2016	Arnetoli	
2002/0189107 A1	12/2002	Arnetoli		2016/0106035 A1	4/2016	Longo et al.	
2007/0214655 A1	9/2007	Arnetoli		2016/0143219 A1	5/2016	Yuan et al.	
2008/0053052 A1	3/2008	Cigarini		2016/0235001 A1	8/2016	Cigarini et al.	
2009/0172955 A1	7/2009	Morris et al.		2016/0330903 A1	11/2016	Miller et al.	
2010/0154229 A1	6/2010	Iacona		2017/0094900 A1	4/2017	Arnetoli	
2010/0180451 A1	7/2010	Reynolds et al.		2017/0208739 A1	7/2017	Arnetoli	
2011/0000091 A1	1/2011	Pfaltzgraff et al.					

\* cited by examiner

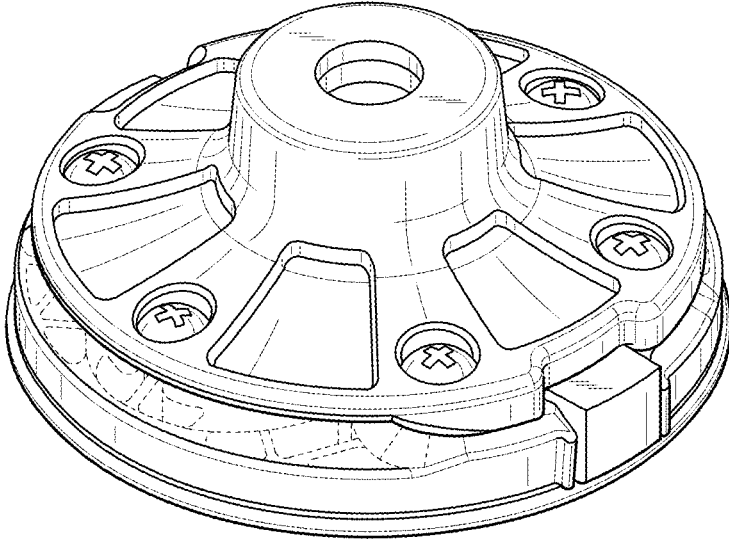


FIG. 1

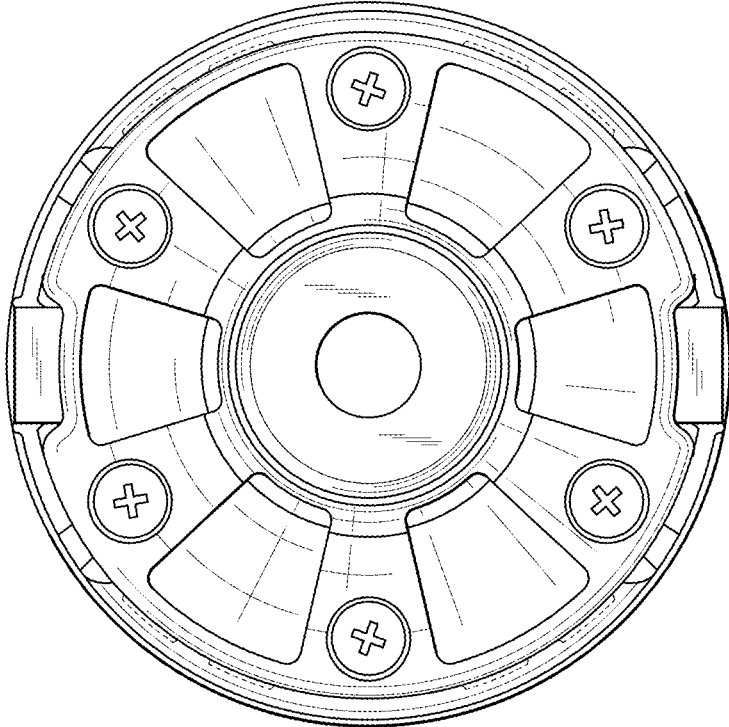


FIG. 2

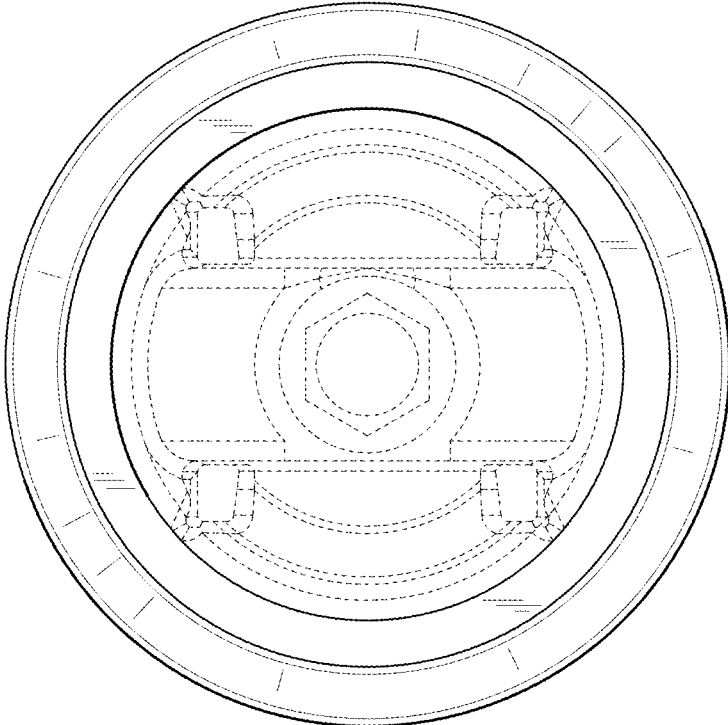


FIG. 3

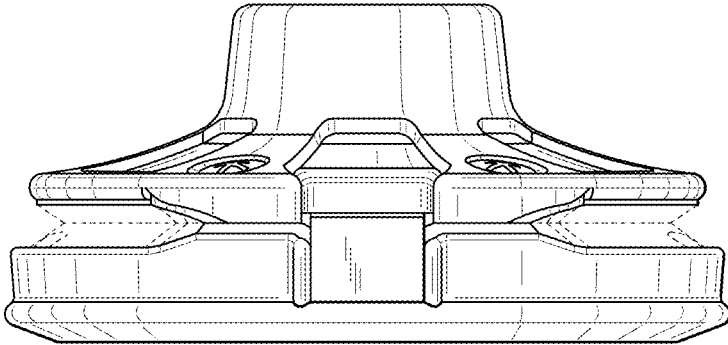


FIG. 4

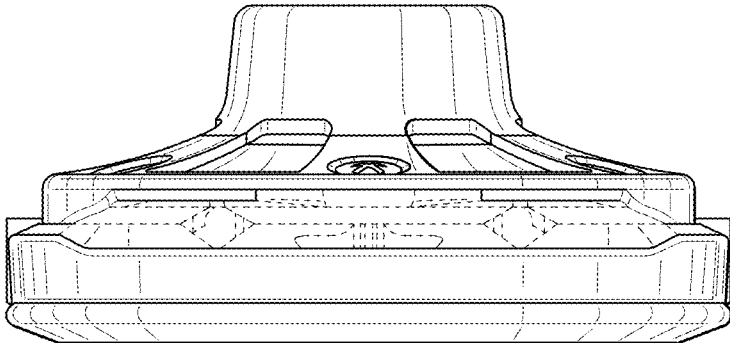


FIG. 5