



US00D702011S

(12) **United States Design Patent**
Whiteside et al.

(10) **Patent No.:** **US D702,011 S**

(45) **Date of Patent:** **** Apr. 1, 2014**

- (54) **FRAME FOR A CREEPER**
- (71) Applicant: **Whiteside Mfg. Co.**, Delaware, OH (US)
- (72) Inventors: **Kirt E. Whiteside**, Marion, OH (US); **Shane Obbitts**, Elyria, OH (US)
- (73) Assignee: **Whiteside Mfg. Co.**, Delaware, OH (US)
- (**) Term: **14 Years**
- (21) Appl. No.: **29/446,237**
- (22) Filed: **Feb. 21, 2013**
- (51) **LOC (10) Cl.** **12-02**
- (52) **U.S. Cl.**
USPC **D34/23**
- (58) **Field of Classification Search**
USPC D34/12-27; 280/32.6, 35, 79.11, 79.2, 280/47.36, 47.27; 108/57.28, 57.18; 248/129, 903; 16/38, 39
See application file for complete search history.

D521,206 S	5/2006	Obbitts et al.	
D521,708 S	5/2006	Obbitts et al.	
D525,007 S *	7/2006	Forbis	D34/23
7,293,783 B2	11/2007	Whiteside et al.	
D570,572 S *	6/2008	Whiteside et al.	D34/23
D576,373 S *	9/2008	Whiteside et al.	D34/23
D576,374 S *	9/2008	Whiteside et al.	D34/23
2002/0027331 A1 *	3/2002	Pool et al.	280/32.6
2006/0237922 A1 *	10/2006	Forbis	280/32.6
2008/0309035 A1 *	12/2008	Whiteside et al.	280/32.6

* cited by examiner

Primary Examiner — Cynthia Ramirez

(74) *Attorney, Agent, or Firm* — Renner, Kenner, Greive, Bobak, Taylor & Weber

(57) **CLAIM**

The ornamental design for a frame for a creeper, as shown and described.

DESCRIPTION

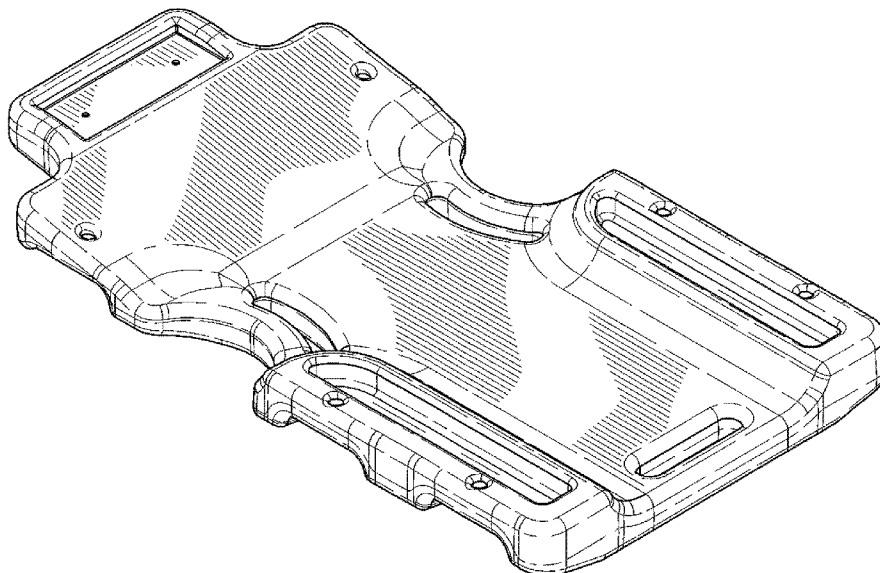
FIG. 1 is a top, rear, right side perspective view of a frame for a creeper showing our new design;
 FIG. 2 is a bottom, front, left side perspective view thereof;
 FIG. 3 is a top plan view thereof;
 FIG. 4 is a bottom plan view thereof;
 FIG. 5 is a left side elevational view thereof, the right side being a mirror image of FIG. 5;
 FIG. 6 is a rear elevational view thereof;
 FIG. 7 is a front elevational view thereof;
 FIG. 8 is a sectional view taken along line 8-8 of FIG. 3; and,
 FIG. 9 is a sectional view taken along line 9-9 of FIG. 4.

1 Claim, 6 Drawing Sheets

(56) **References Cited**

U.S. PATENT DOCUMENTS

D230,971 S *	3/1974	Shanklin	D34/23
D320,484 S *	10/1991	Wallin	D34/23
D325,799 S *	4/1992	Chen	D34/23
D354,599 S *	1/1995	Young	D34/23
D396,920 S	8/1998	Whiteside et al.	
D401,714 S	11/1998	Whiteside et al.	
6,345,828 B1 *	2/2002	Pool et al.	280/32.6
D469,592 S *	1/2003	Brimhall et al.	D34/23



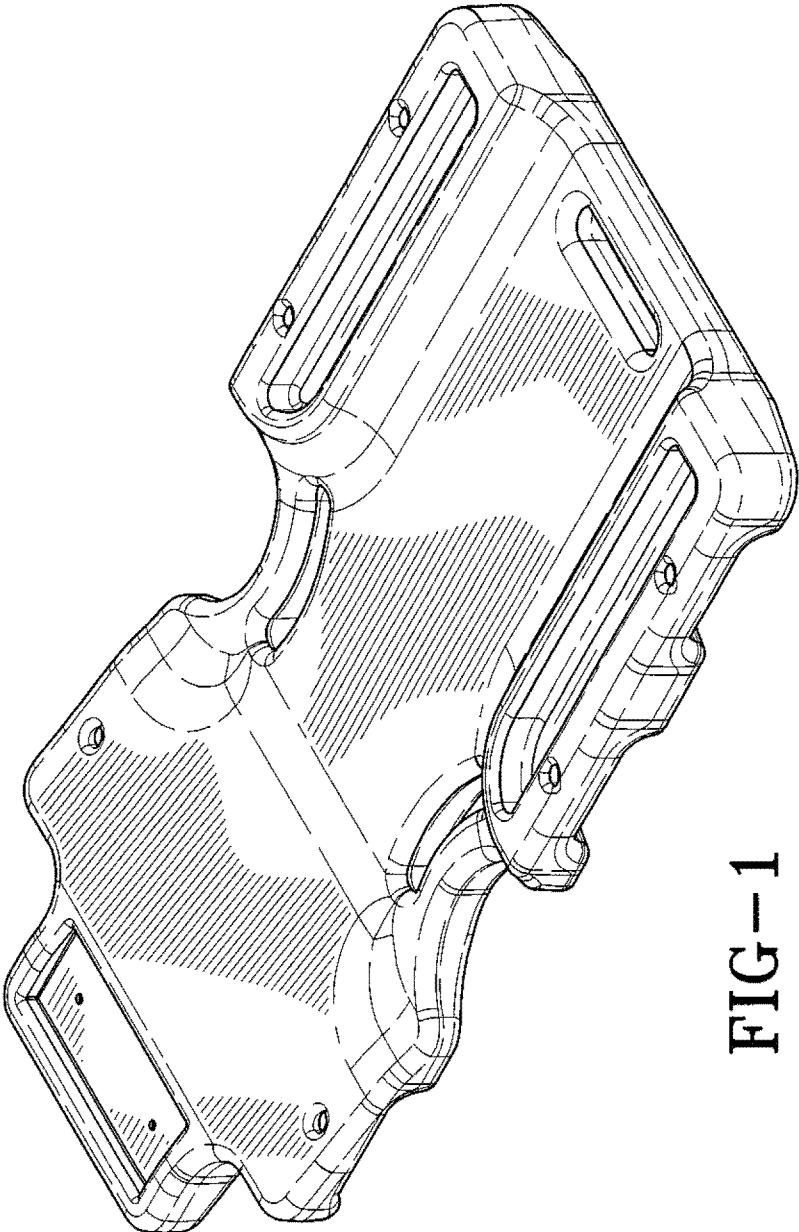


FIG--1

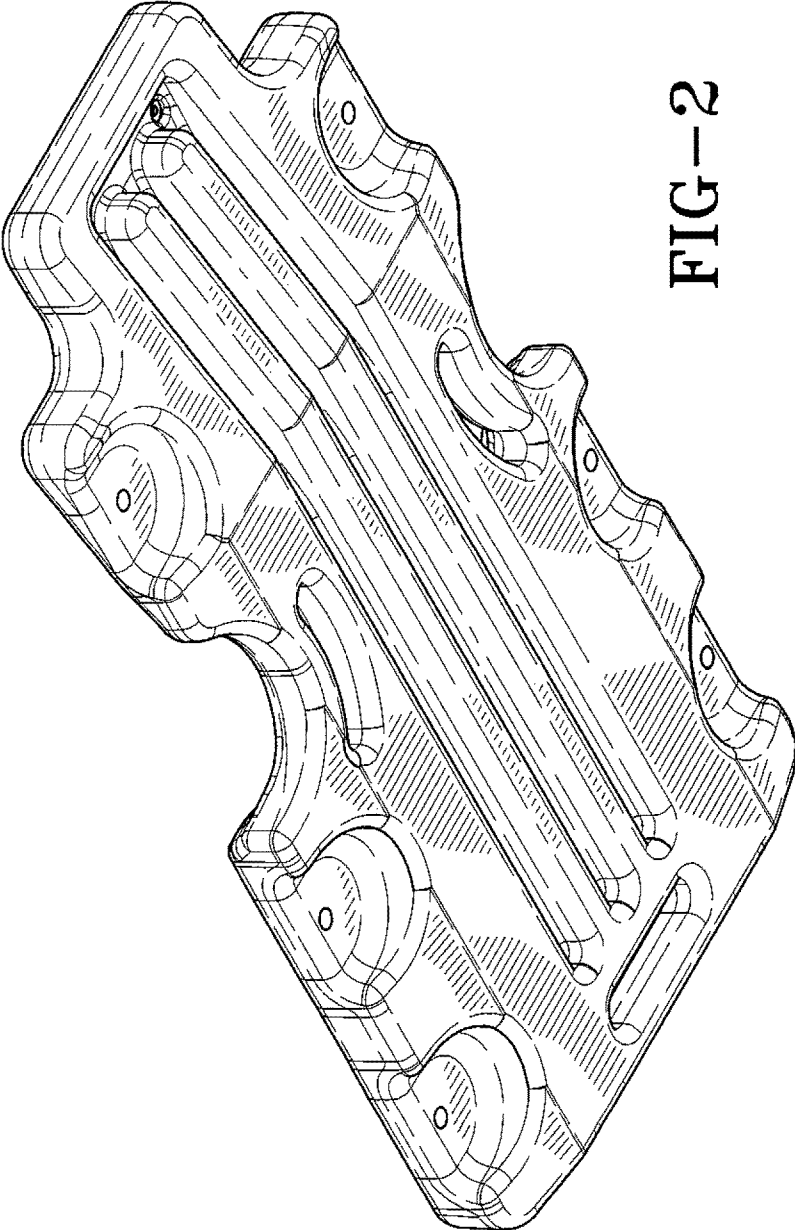


FIG-2

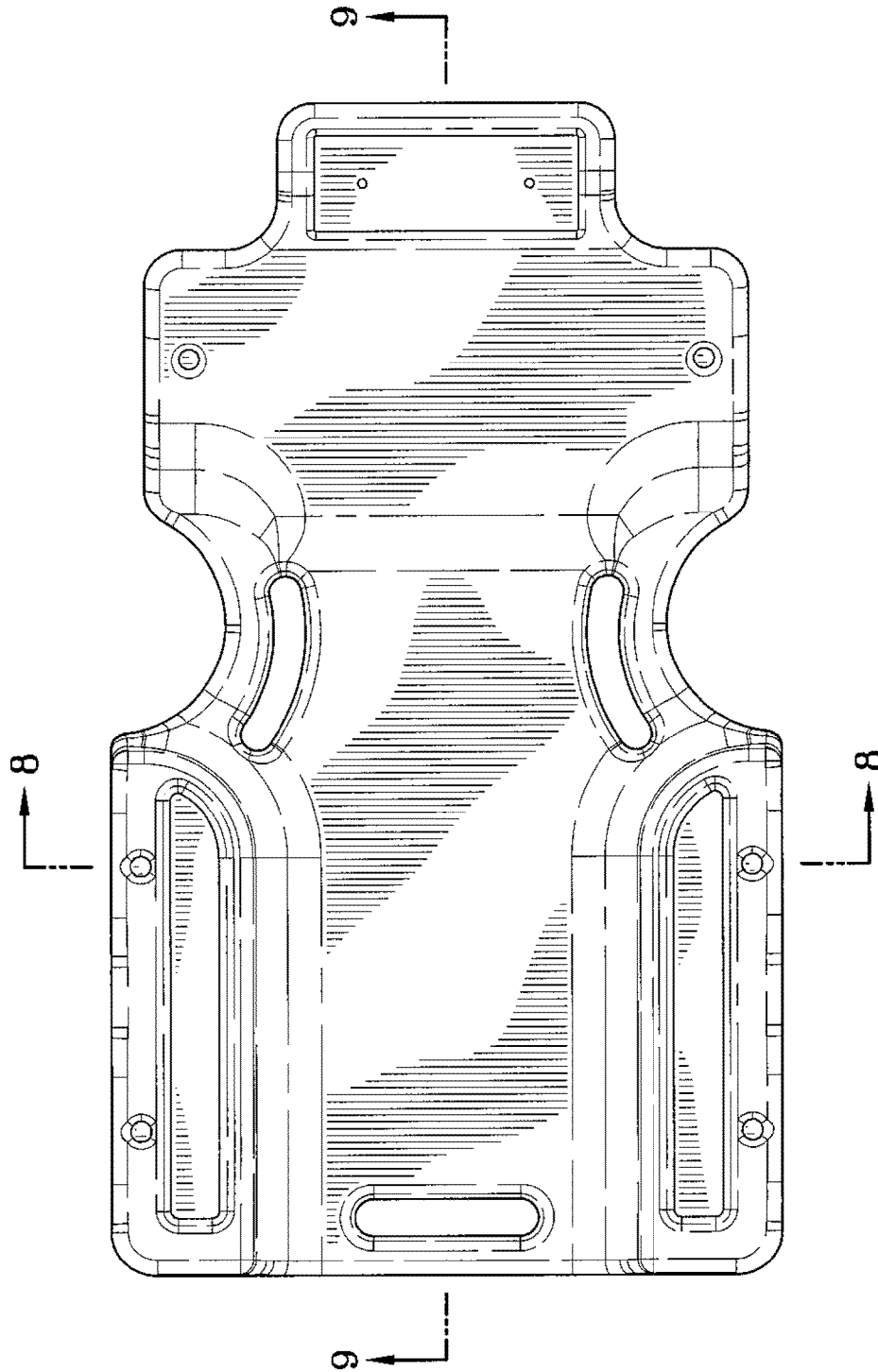


FIG-3

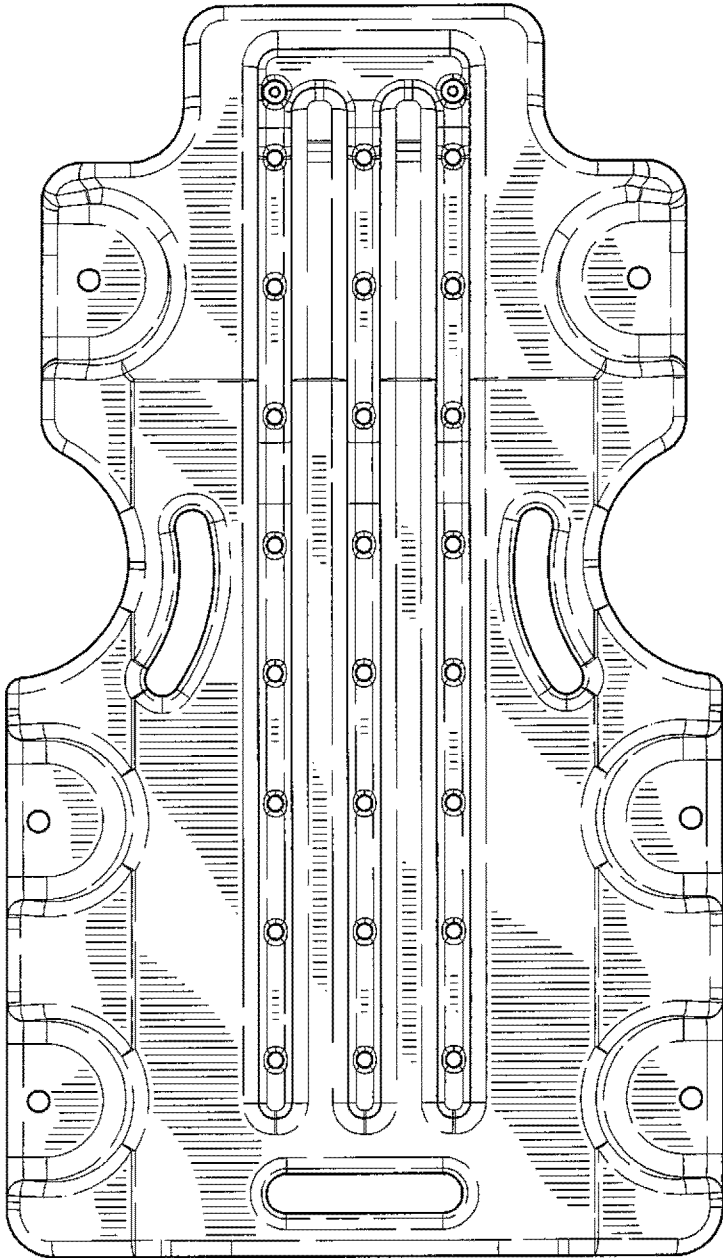


FIG-4

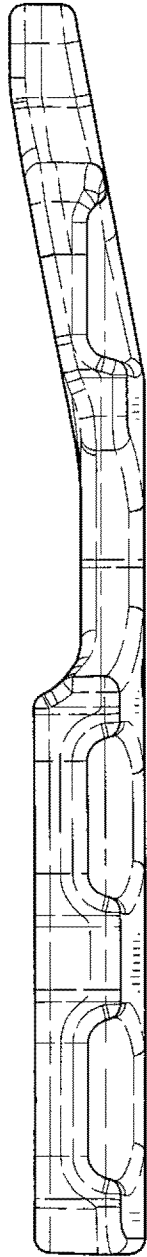


FIG-5

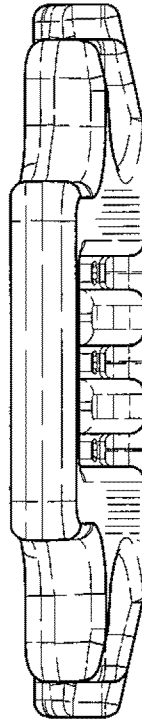


FIG-7

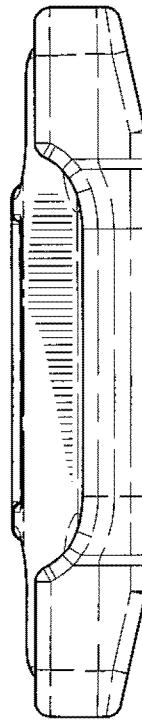


FIG-6

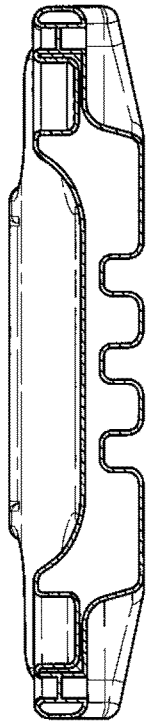


FIG-8

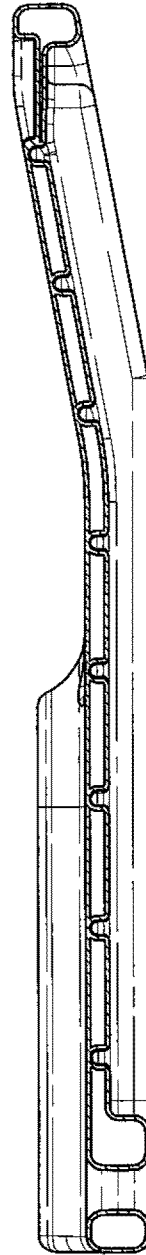


FIG-9