



US00D760394S

(12) **United States Design Patent**
Pieroni et al.

(10) **Patent No.:** **US D760,394 S**

(45) **Date of Patent:** **** *Jun. 28, 2016**

- (54) **DENTAL MATERIAL DISPENSER
CARTRIDGE AND TIP**
- (71) Applicant: **DENTSPLY International Inc.**, York,
PA (US)
- (72) Inventors: **Robert J. Pieroni**, Milford, DE (US);
Andrew J. Coste, Swarthmore, PA (US)
- (*) Notice: This patent is subject to a terminal dis-
claimer.
- (**) Term: **14 Years**
- (21) Appl. No.: **29/470,442**
- (22) Filed: **Oct. 22, 2013**

D300,561 S *	4/1989	Asa et al.	D24/112
D324,267 S *	2/1992	Smitt	D24/112
5,324,273 A *	6/1994	Discko, Jr.	433/90
6,095,814 A *	8/2000	Petrich et al.	433/90
6,135,771 A *	10/2000	Dragan et al.	433/90
D456,078 S *	4/2002	Peterson et al.	D24/152
D460,822 S *	7/2002	Dragan et al.	D24/152
6,510,970 B2 *	1/2003	McLean et al.	433/80
D504,948 S *	5/2005	Dragan et al.	D24/152
8,602,260 B2 *	12/2013	Pierson	A61C 9/0026 222/102
8,616,879 B2 *	12/2013	Dubey et al.	433/80
D711,542 S *	8/2014	Pierson	D24/176
D737,958 S *	9/2015	Pieroni	D24/112
9,283,059 B2 *	3/2016	Pierson	A61C 9/0026
2007/0015106 A1 *	1/2007	Bertl et al.	433/80
2013/0260335 A1 *	10/2013	Peuker et al.	433/90

* cited by examiner

Related U.S. Application Data

- (63) Continuation of application No. 29/468,521, filed on
Oct. 1, 2013.
- (51) **LOC (10) Cl.** **24-02**
- (52) **U.S. Cl.**
USPC **D24/176**
- (58) **Field of Classification Search**
USPC D24/152, 176, 112, 127, 133; 433/80,
433/89-90, 141; 604/232
CPC A61C 5/062; A61C 5/064; A61C 5/066;
A61C 9/0026; A61C 19/004
See application file for complete search history.

References Cited

U.S. PATENT DOCUMENTS

D224,655 S *	8/1972	Dragan	D24/112
4,813,871 A *	3/1989	Friedman	433/90

Primary Examiner — Wan Laymon

(74) *Attorney, Agent, or Firm* — McNees Wallace & Nurick
LLC

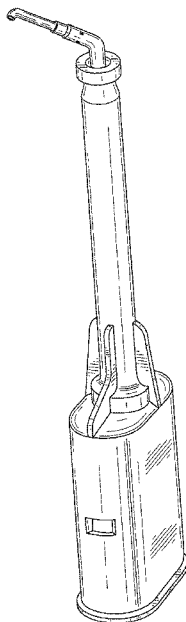
CLAIM

(57) The ornamental design for a dental material dispenser car-
tridge and tip, as shown and described.

DESCRIPTION

FIG. 1 is an isometric view of a dental material dispenser
cartridge and tip showing our new design;
FIG. 2 is a rear view thereof;
FIG. 3 is a front view thereof;
FIG. 4 is a first side view thereof;
FIG. 5 is a second side view thereof;
FIG. 6 is a top view thereof; and,
FIG. 7 is a bottom view thereof, portions shown in broken
lines forming no part of the claimed design.

1 Claim, 5 Drawing Sheets



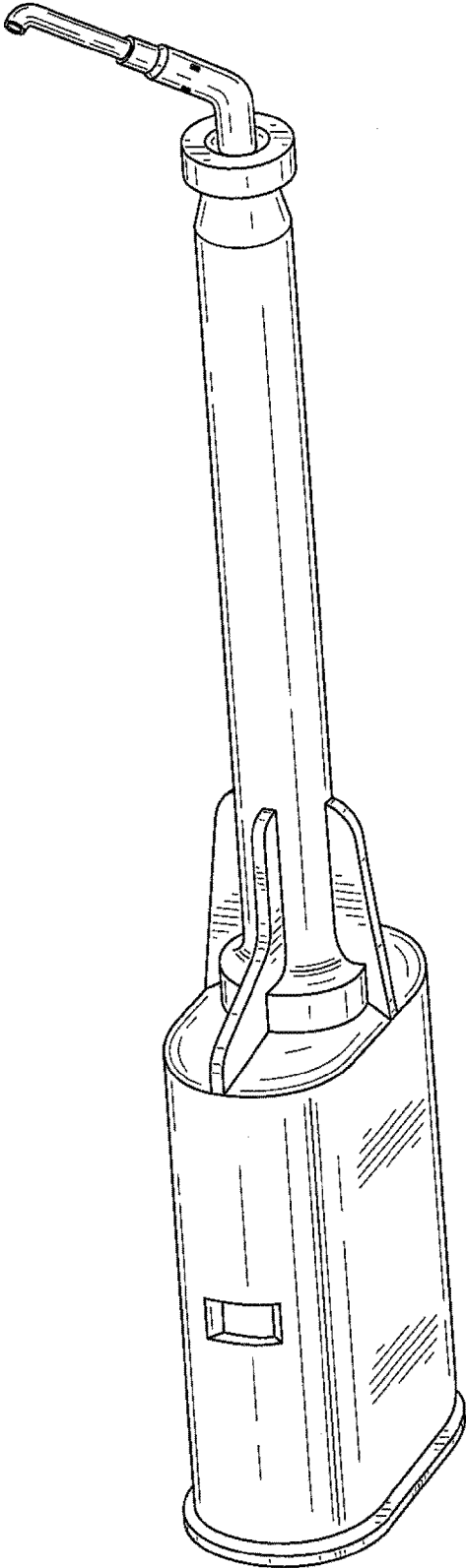


FIG. 1

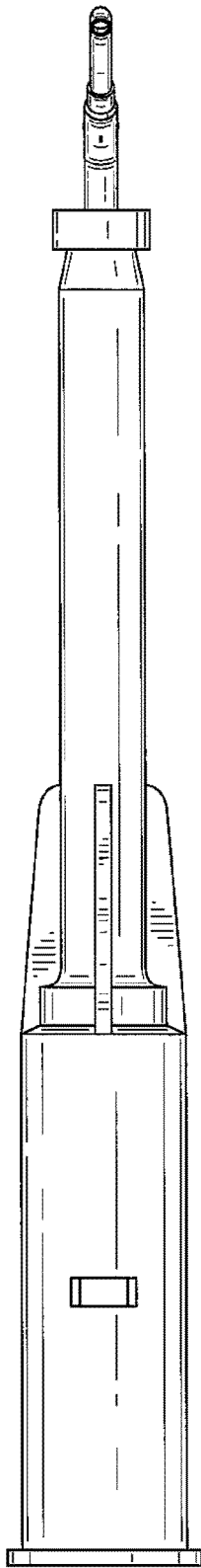


FIG. 2

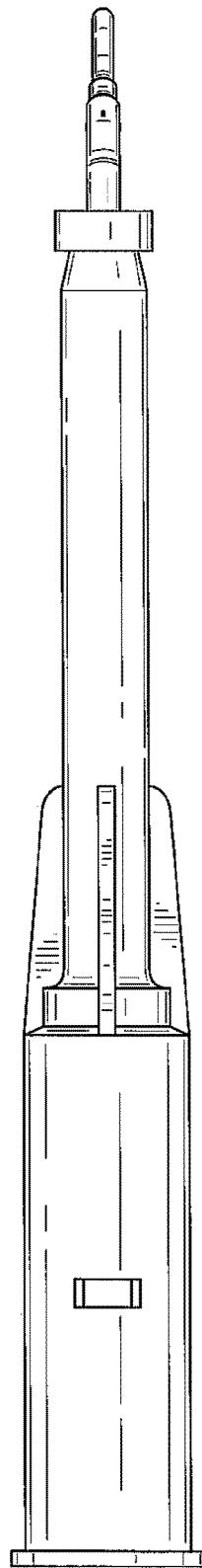


FIG. 3

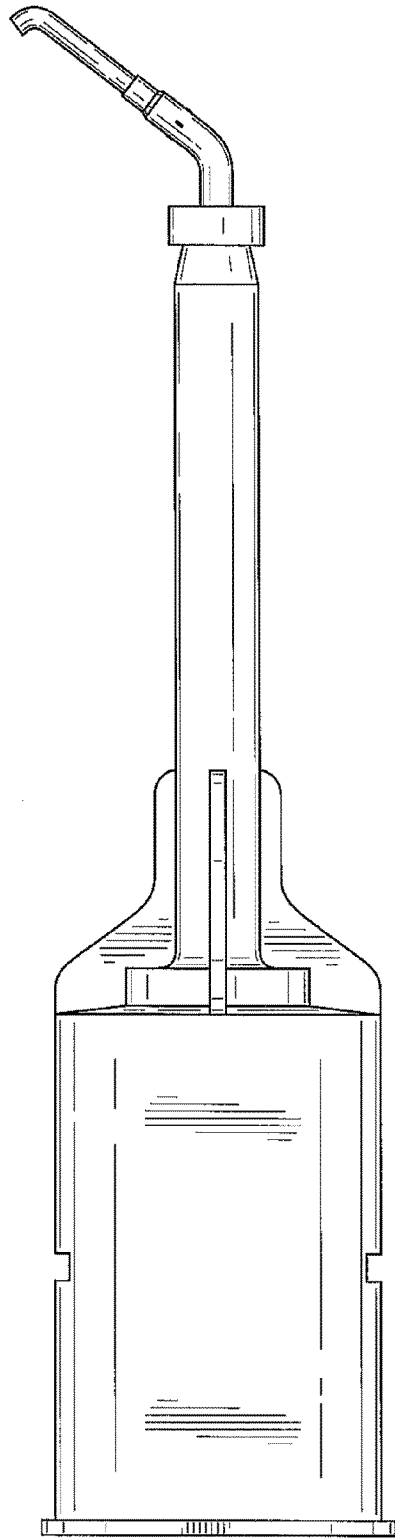


FIG. 4

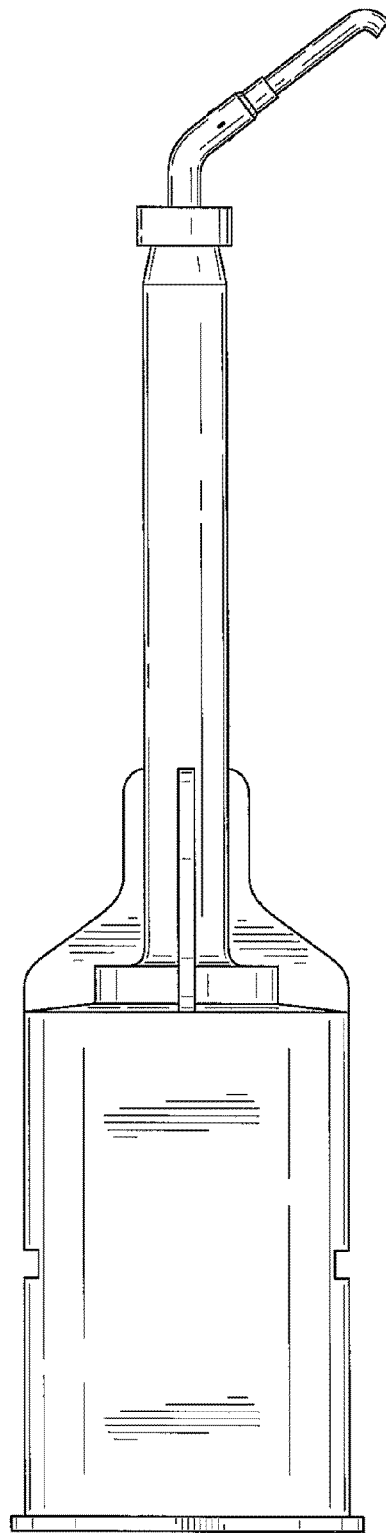


FIG. 5

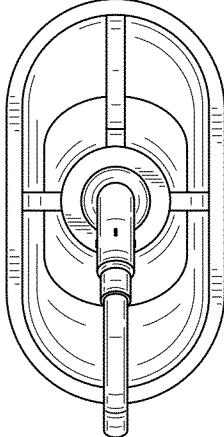


FIG. 6

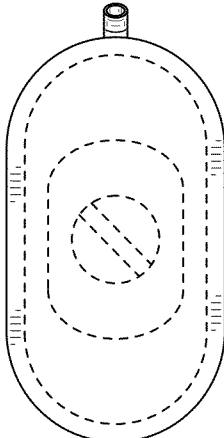


FIG. 7