



US00D726620S

(12) **United States Design Patent**  
**Lickliter**

(10) **Patent No.:** **US D726,620 S**

(45) **Date of Patent:** **\*\* Apr. 14, 2015**

(54) **VEHICLE WHEEL**

(71) Applicant: **Wheel Pros, LLC**, Greenwood Village,  
CO (US)

(72) Inventor: **Hans Lickliter**, Lake Hughes, CA (US)

(73) Assignee: **Wheel Pros, LLC**

(\*\*) Term: **14 Years**

(21) Appl. No.: **29/504,362**

(22) Filed: **Oct. 5, 2014**

(51) **LOC (10) Cl.** ..... **12-16**

(52) **U.S. Cl.**

USPC ..... **D12/209**

(58) **Field of Classification Search**

CPC ..... B60B 7/00; B60B 7/02; B60B 7/04;  
B60B 7/01; B60B 7/06; B60B 3/02; B60B  
3/04; B60B 3/06; B60B 3/10; B60B 1/00;  
B60B 1/08; B60B 1/10; B60B 1/12

USPC ..... D12/204–213

See application file for complete search history.

(56) **References Cited**

U.S. PATENT DOCUMENTS

D286,145 S *	10/1986	Sandberg	.....	D12/211
D395,031 S *	6/1998	Timm	.....	D12/209
D429,206 S *	8/2000	Ito	.....	D12/211
D461,444 S *	8/2002	Bernoni	.....	D12/211
D499,061 S *	11/2004	Echazabal	.....	D12/209
D513,218 S *	12/2005	Fitzgerald	.....	D12/209
D516,004 S *	2/2006	Hernandez	.....	D12/211
D547,709 S *	7/2007	James	.....	D12/209
D575,716 S *	8/2008	Chung	.....	D12/209
D586,715 S *	2/2009	Cortes	.....	D12/211
D590,758 S *	4/2009	Chen	.....	D12/209
D683,292 S *	5/2013	Woolley et al.	.....	D12/209

\* cited by examiner

*Primary Examiner* — Stacia Cadmus

(74) *Attorney, Agent, or Firm* — KC Bean

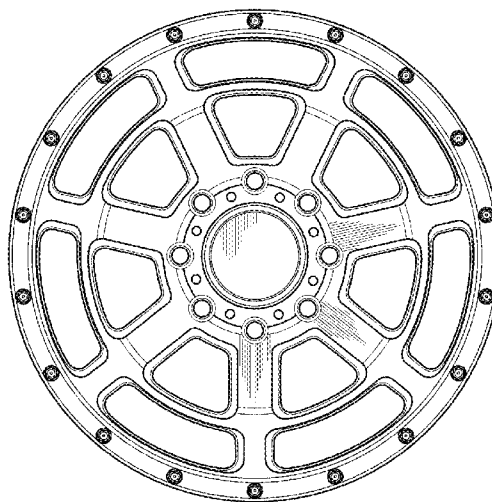
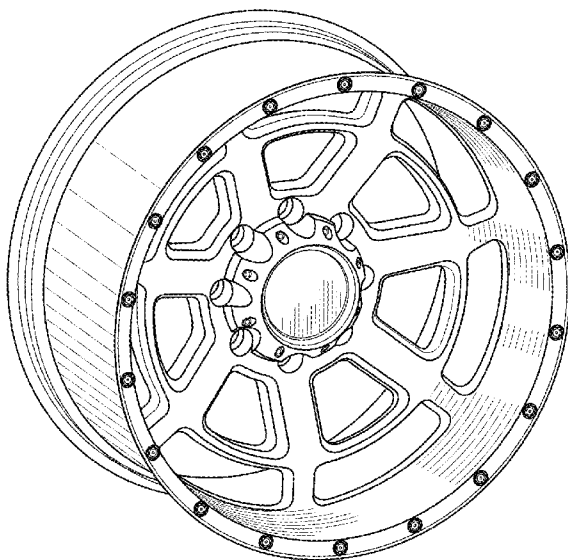
(57) **CLAIM**

The ornamental design for a vehicle wheel, as shown and described.

**DESCRIPTION**

FIG. 1 is a perspective view of the vehicle wheel showing the new design; and, FIG. 2 is the front view thereof.

**1 Claim, 2 Drawing Sheets**



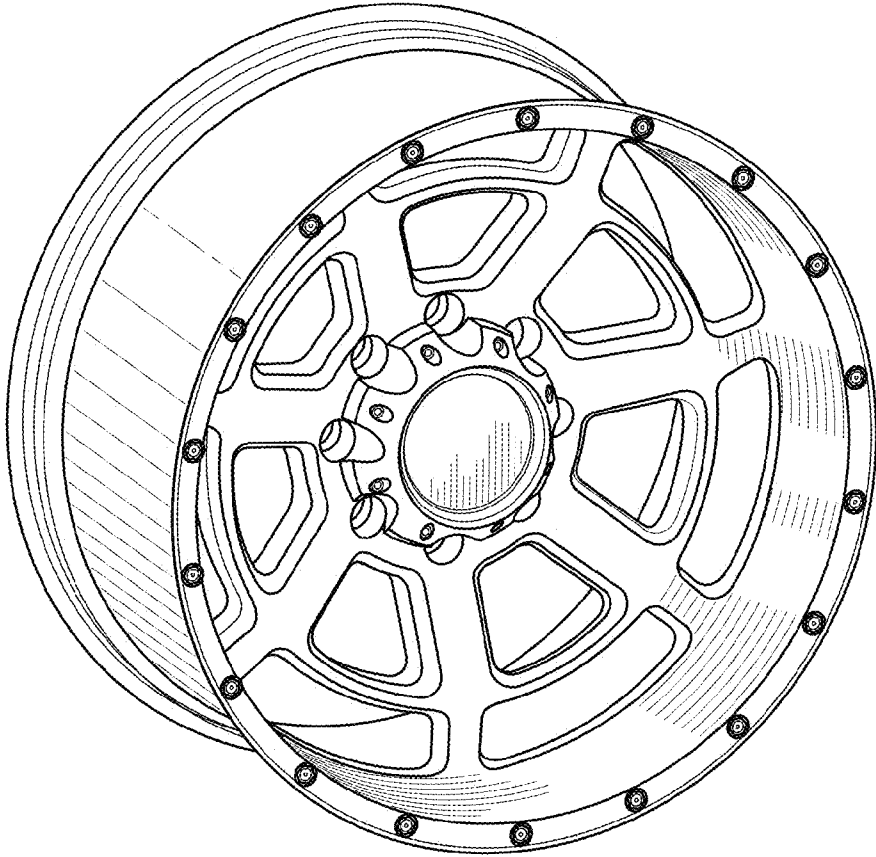


FIG. 1

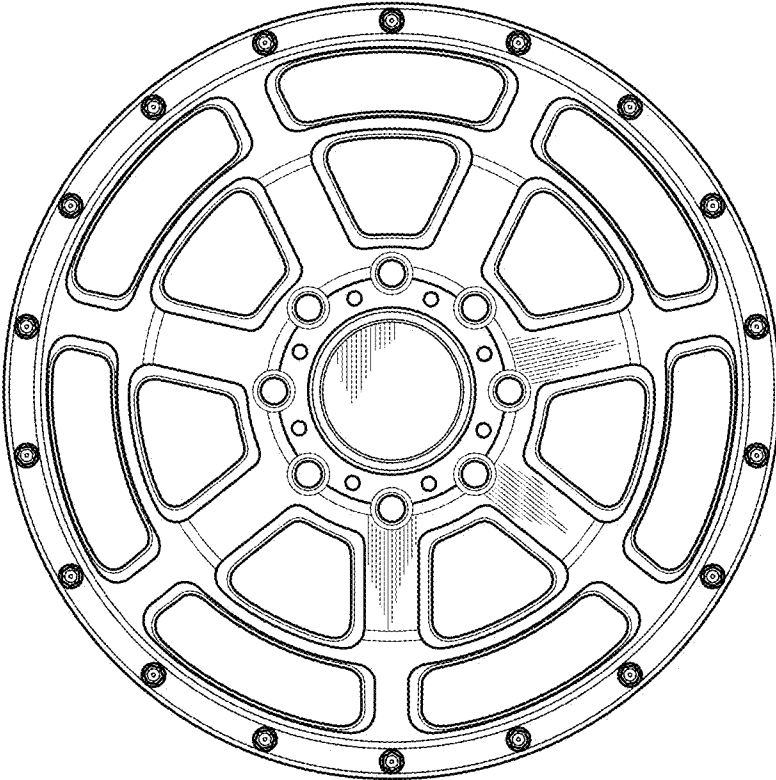


FIG. 2