



US00D588317S

(12) **United States Design Patent**  
**Spence**

(10) **Patent No.:** **US D588,317 S**

(45) **Date of Patent:** **\*\* Mar. 10, 2009**

(54) **CLEANING APPLIANCE**

(75) Inventor: **Nicholas Timothy Spence**, Hampshire (GB)

(73) Assignee: **Dyson Limited**, Wiltshire (GB)

(\*\*) Term: **14 Years**

(21) Appl. No.: **29/287,015**

(22) Filed: **Jun. 19, 2007**

(30) **Foreign Application Priority Data**

Dec. 22, 2006 (GB) ..... 4000939

(51) **LOC (9) Cl.** ..... **15-05**

(52) **U.S. Cl.** ..... **D32/31**

(58) **Field of Classification Search** ..... D32/21-24, D32/31, 34, 16, 30; 15/320-321, 323, 327.1-327.7, 15/329, 335, 340.2, 351, 353, 361, 410-412, 15/246.2, 246.5, DIG. 10, 347, 350; 285/7; 55/DIG. 3, 345, 337, 459.1, 418, 471, 318, 55/429; 95/271

See application file for complete search history.

(56) **References Cited**

**U.S. PATENT DOCUMENTS**

D518,611 S \* 4/2006 Hare ..... D32/21  
D555,849 S \* 11/2007 Choi et al. .... D32/21  
D555,851 S \* 11/2007 Shin et al. .... D32/21  
D555,852 S \* 11/2007 Shin et al. .... D32/21

D556,962 S \* 12/2007 Choi et al. .... D32/21  
D557,469 S \* 12/2007 Choi et al. .... D32/21  
D557,470 S \* 12/2007 Choi et al. .... D32/21

\* cited by examiner

*Primary Examiner*—Ruth McInroy

(74) *Attorney, Agent, or Firm*—Morrison & Foerster LLP

(57) **CLAIM**

I claim the ornamental design for a cleaning appliance, as shown and described.

**DESCRIPTION**

FIG. 1 is a perspective view from above, front and one side of a cleaning appliance showing my new design;

FIG. 2 is a top plan view thereof;

FIG. 3 is a bottom view thereof;

FIG. 4 is a side view thereof;

FIG. 5 is a side view of the opposite side of FIG. 4;

FIG. 6 is a front view thereof;

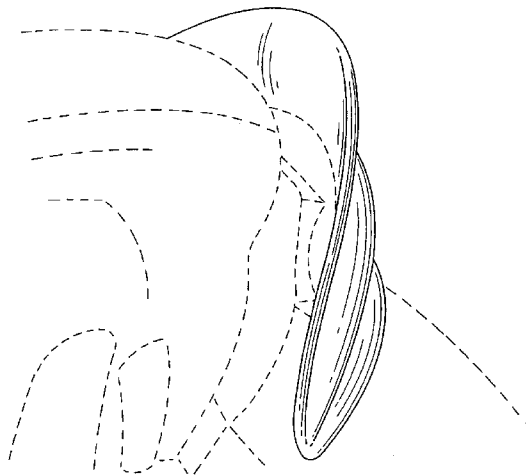
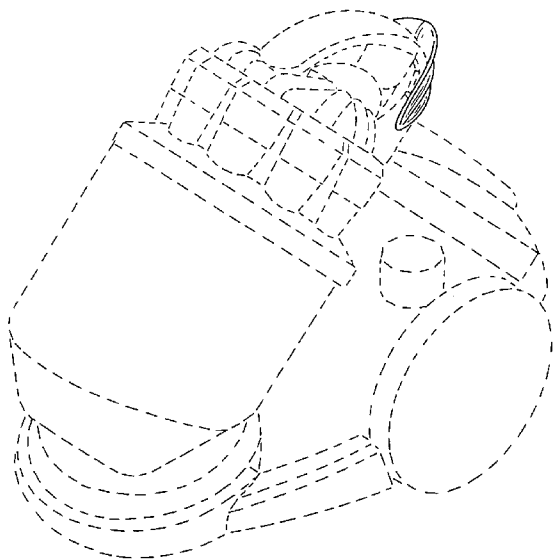
FIG. 7 is a rear view thereof;

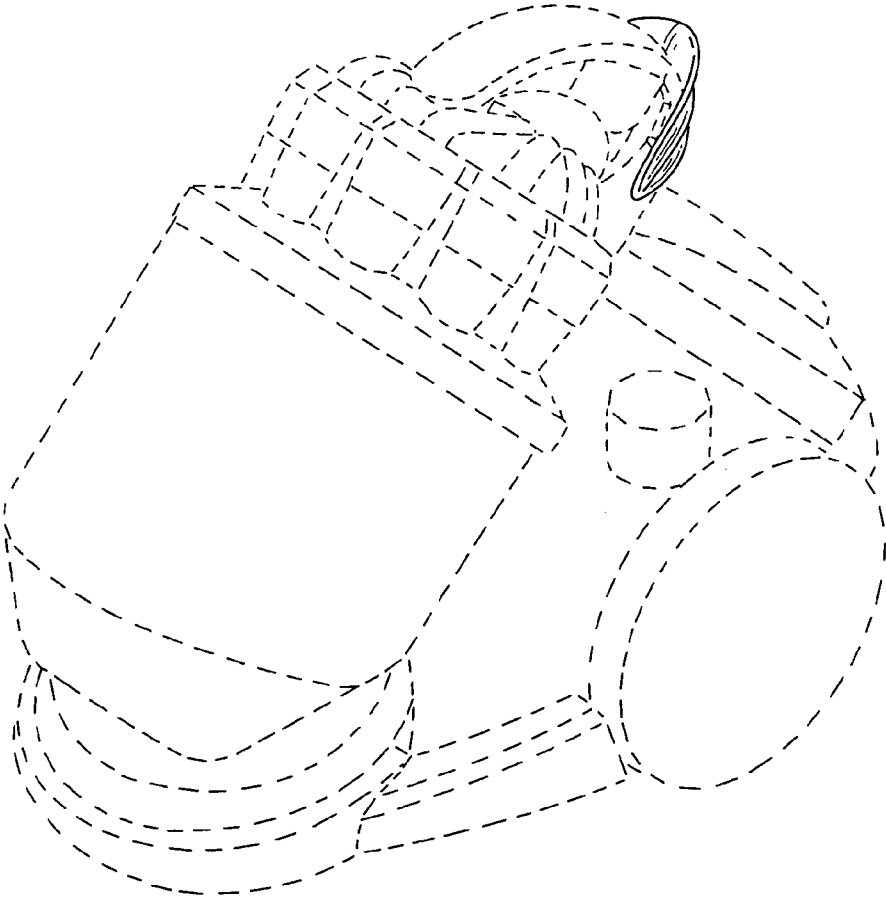
FIG. 8 is an enlarged perspective view from above, rear and one side; and,

FIG. 9 is an enlarged perspective view from above, front and one side.

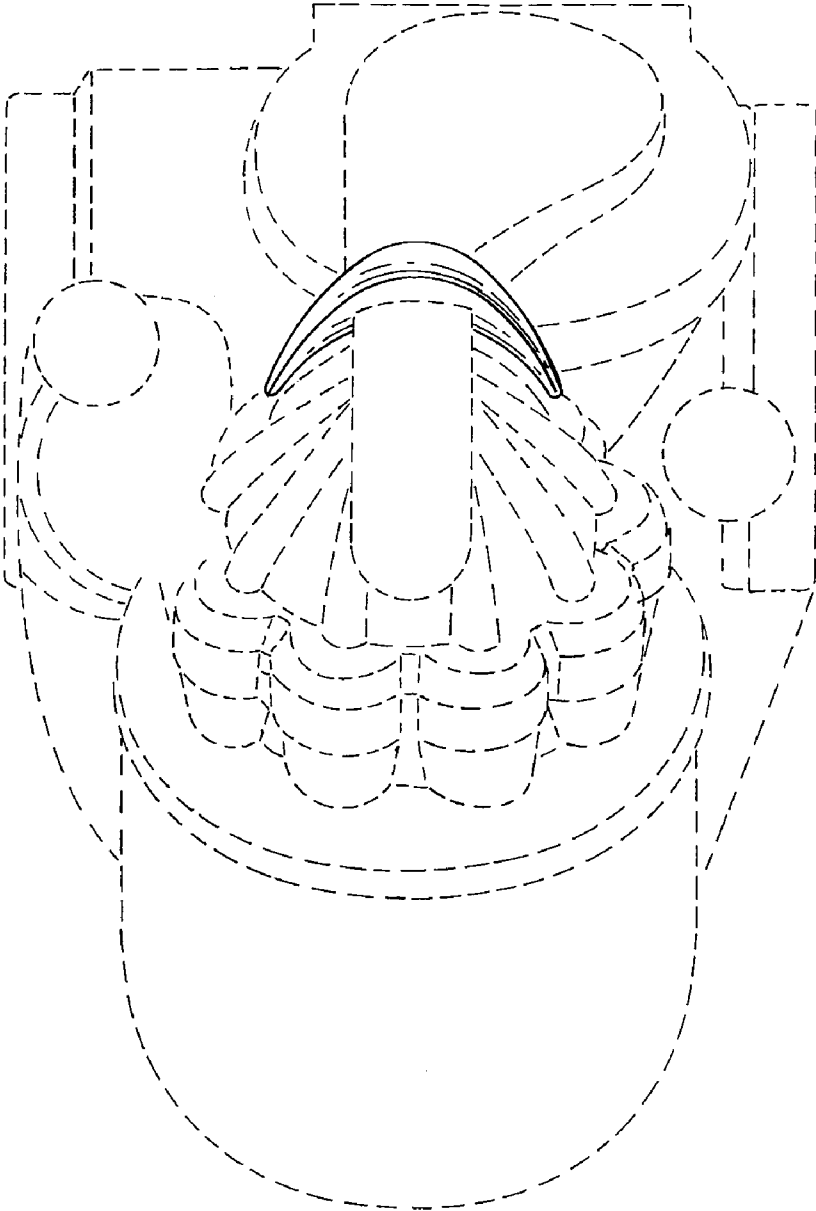
The details shown in broken lines form no part of the claimed design.

**1 Claim, 9 Drawing Sheets**

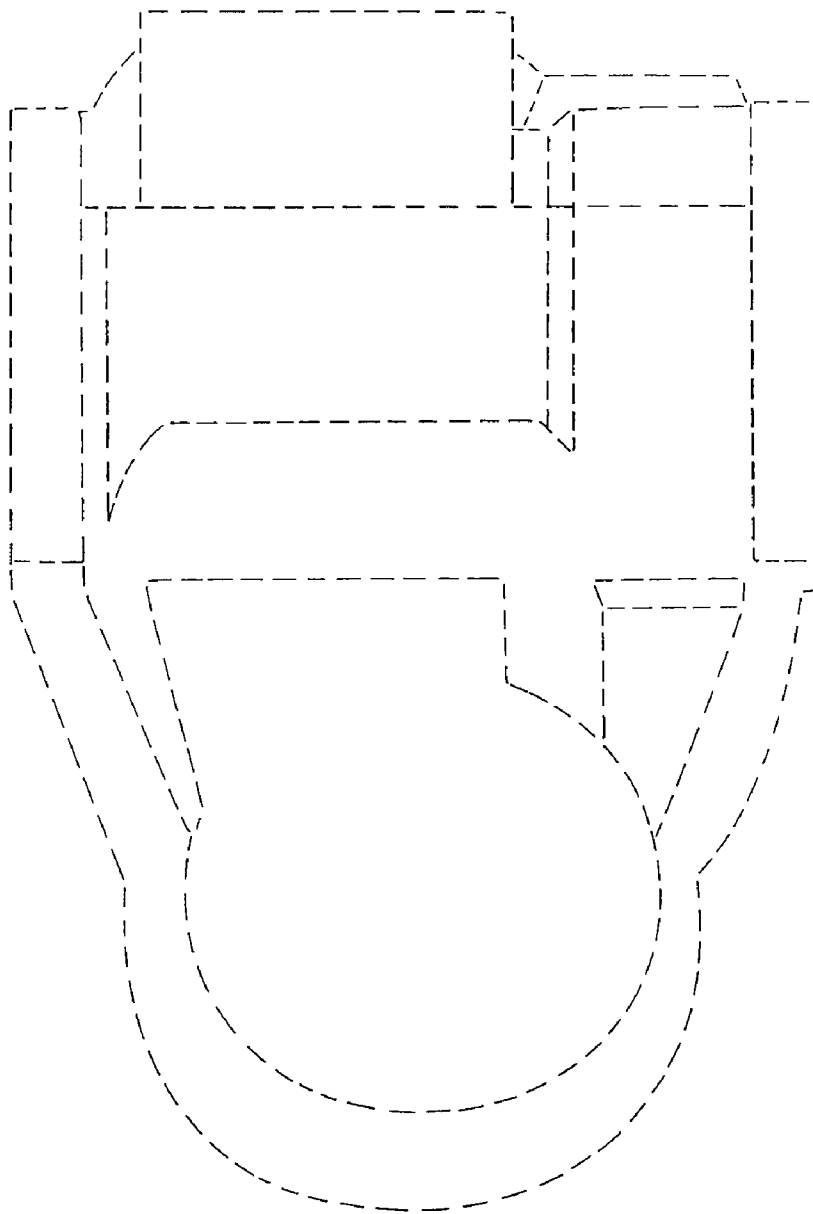




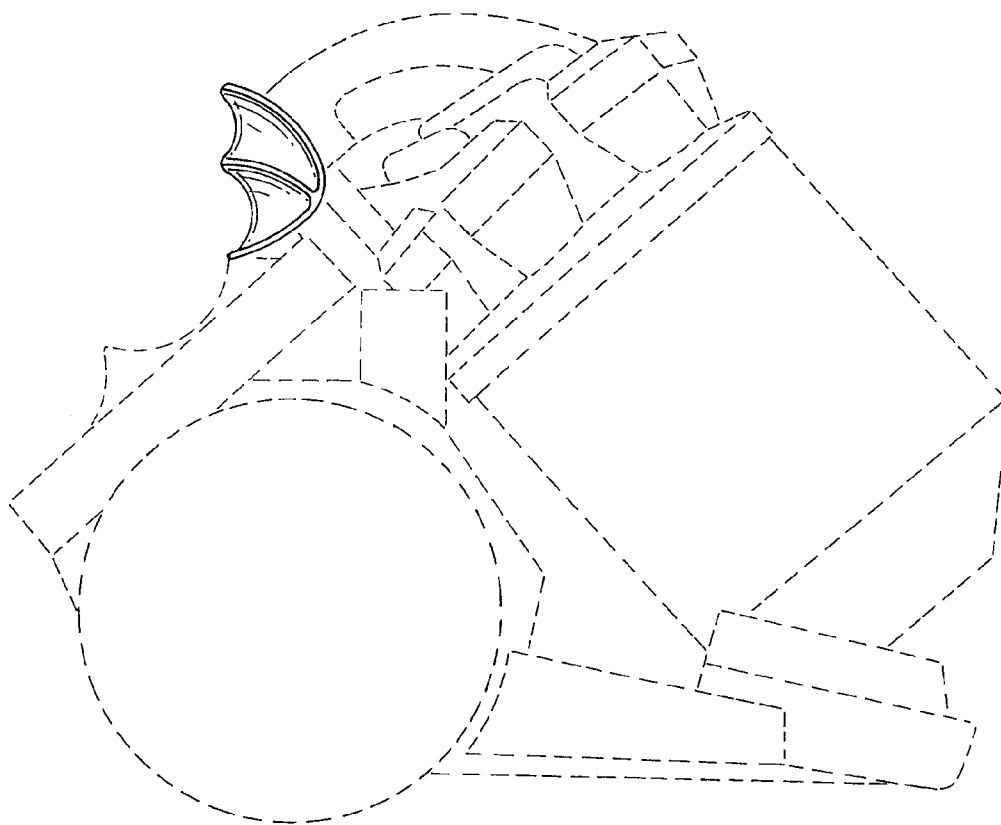
*Fig. 1*



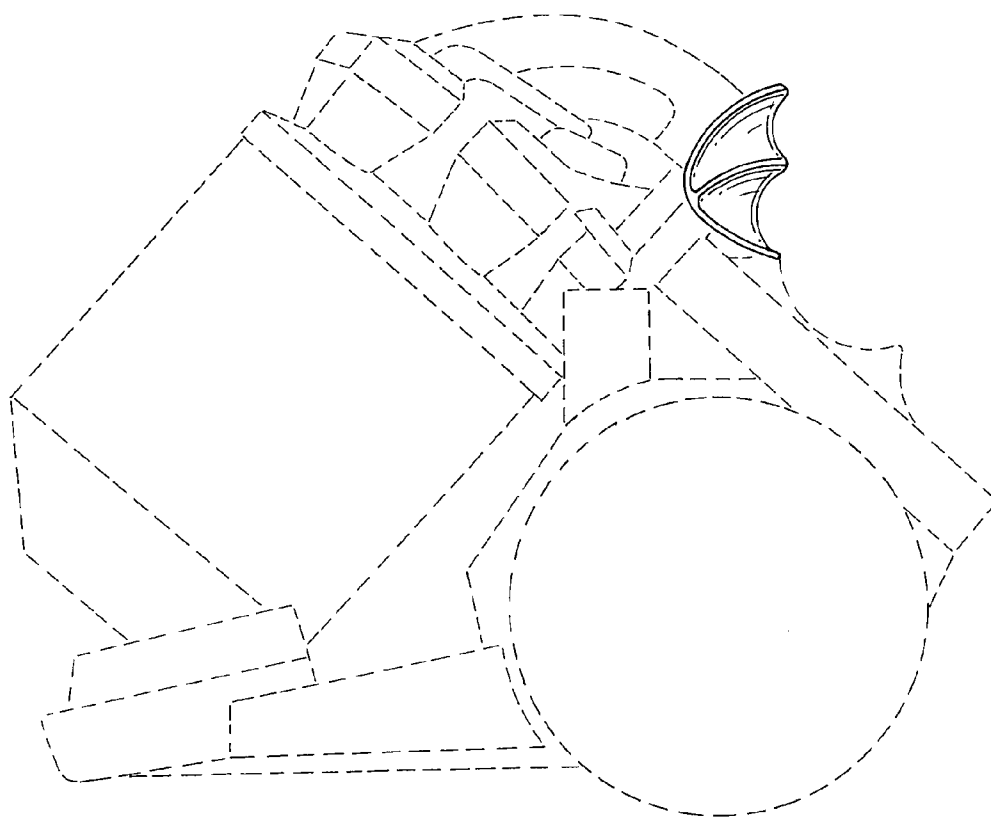
*Fig. 2*



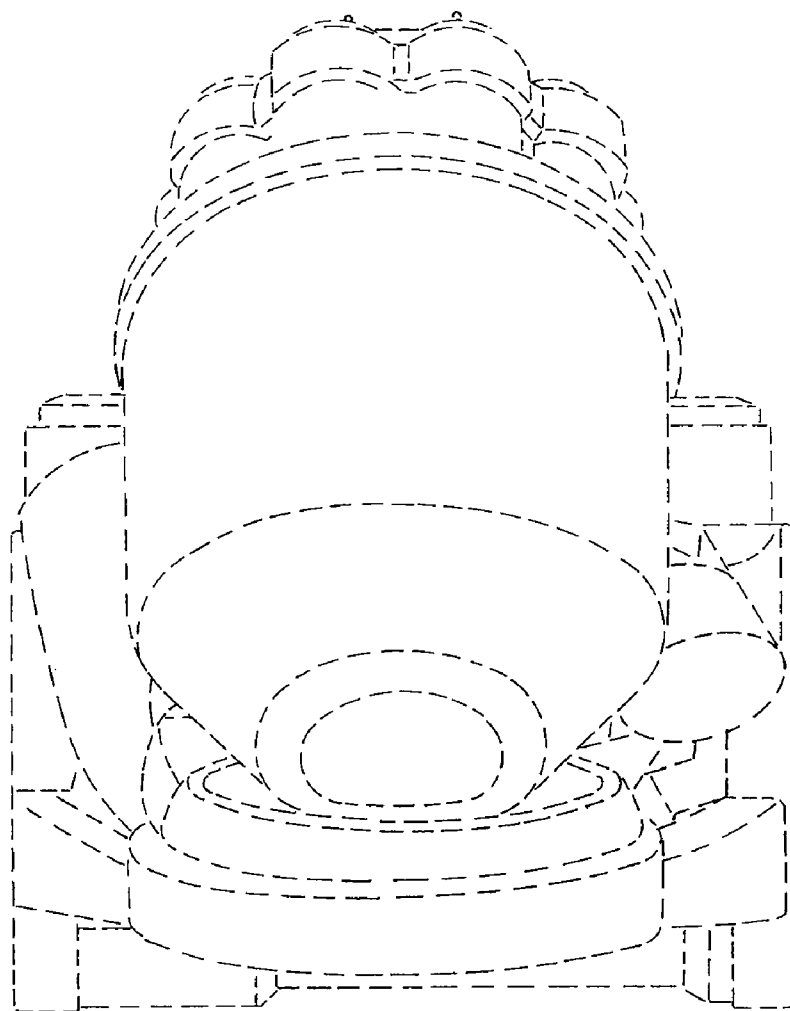
*Fig. 3*



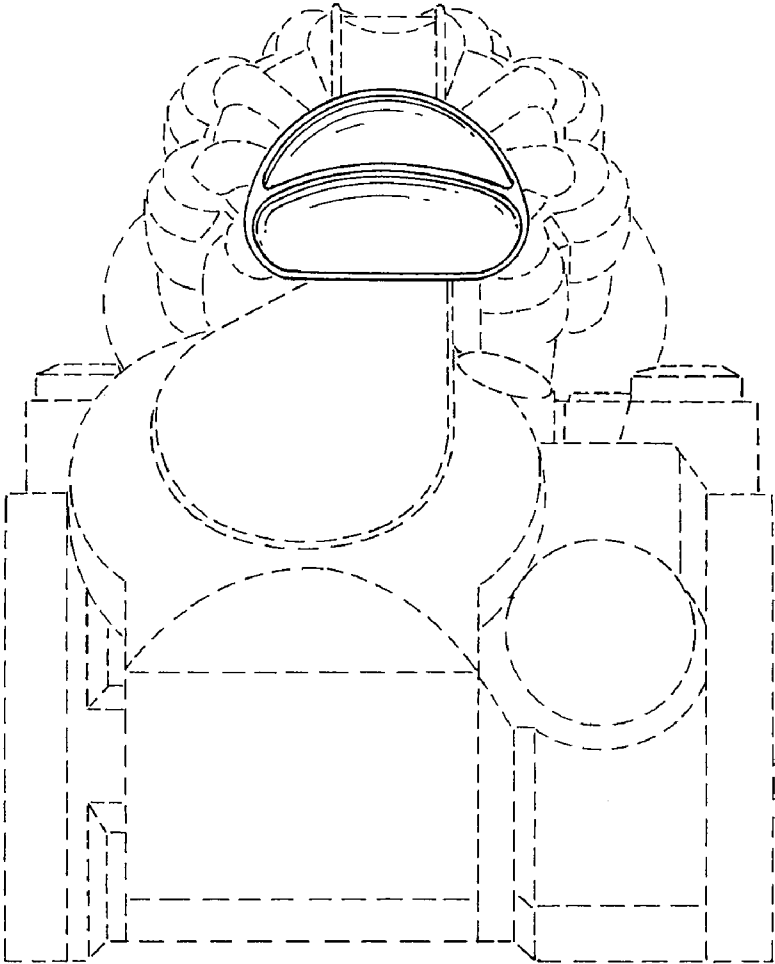
*Fig. 4*



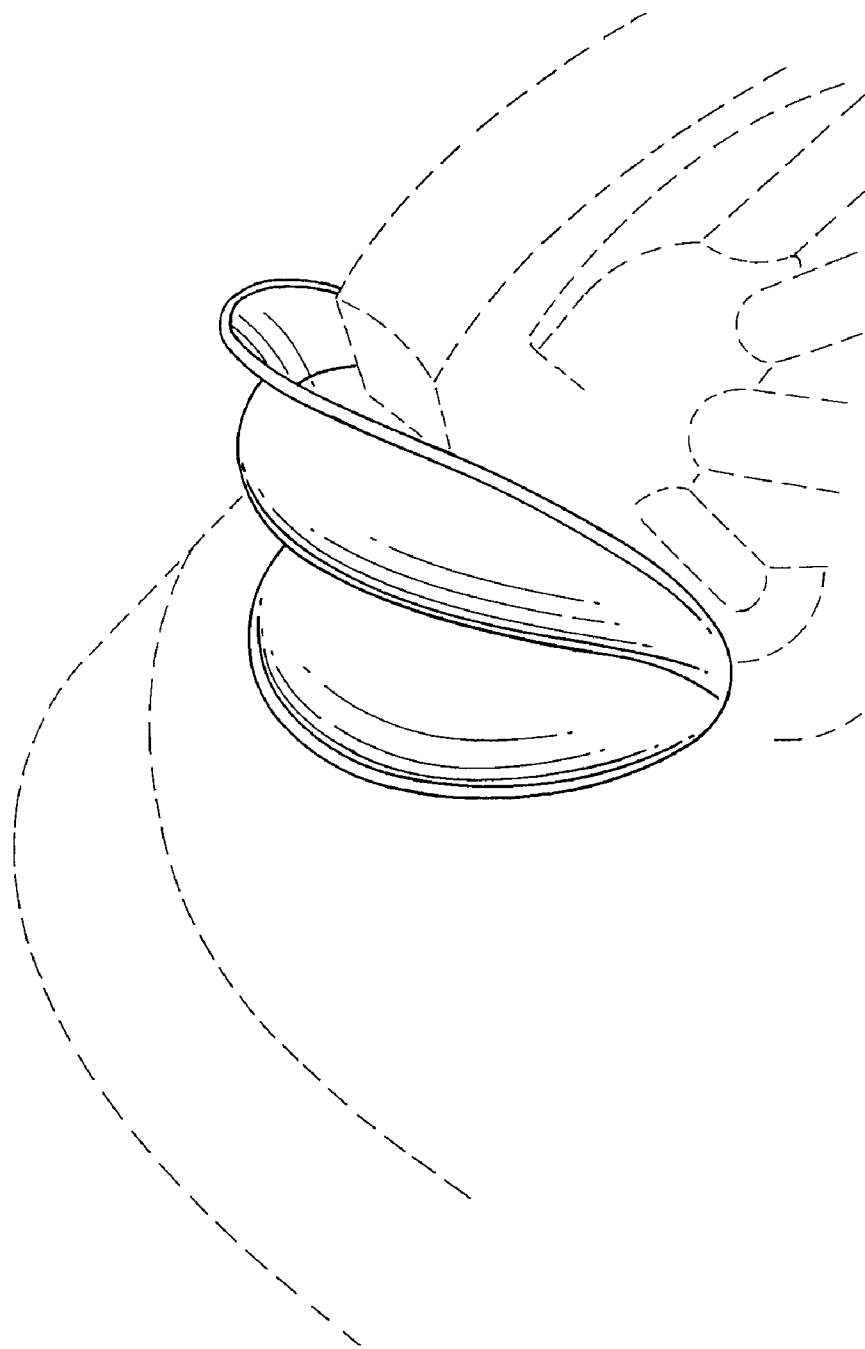
*Fig. 5*



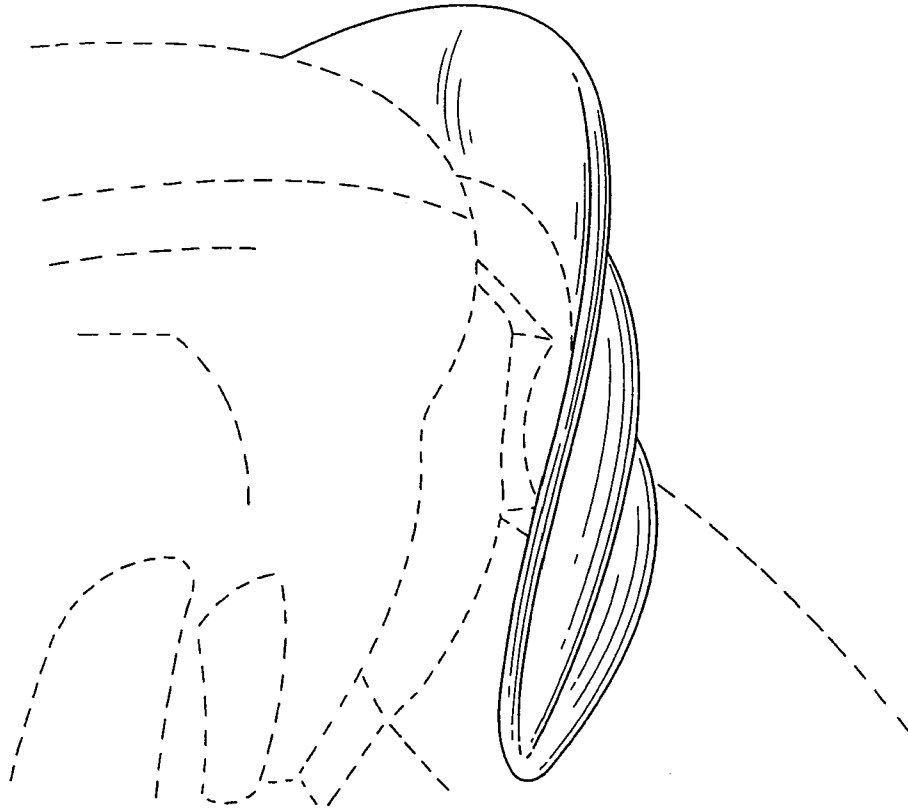
*Fig. 6*



*Fig. 7*



*Fig. 8*



***Fig. 9***