



US00D457367S

(12) **United States Design Patent**
Ong

(10) **Patent No.:** **US D457,367 S**

(45) **Date of Patent:** **** May 21, 2002**

(54) **FILIGREED TISSUE BOX COVER**

D372,387 S * 8/1996 Kuchenbecker D6/518
D424,342 S * 5/2000 Pasquale D6/519

(76) Inventor: **Bon S. Ong**, Box 4247, Torrance, CA
(US) 90510

OTHER PUBLICATIONS

(**) Term: **14 Years**

Ma Leck Catalogue (1980) p. 31.*

* cited by examiner

(21) Appl. No.: **29/140,418**

Primary Examiner—Brian N. Vinson

(22) Filed: **Apr. 19, 2001**

(74) *Attorney, Agent, or Firm*—Charles H. Thomas

(51) **LOC (7) Cl.** **20-02**

(57) **CLAIM**

(52) **U.S. Cl.** **D6/518**

I claim the ornamental design for the article filigreed tissue box cover, as shown and described.

(58) **Field of Search** D6/515, 518, 523;
217/5; 312/34.1; 206/233, 812, 824; 221/26,
33, 45, 282, 284; 222/173

DESCRIPTION

(56) **References Cited**

FIG. 1 is a top, front, and left side perspective view of a filigreed tissue box cover showing my new design; FIG. 2 is a top plan view thereof; FIG. 3 is a bottom plan view thereof; FIG. 4 is a front elevational view thereof; FIG. 5 is a rear elevational view thereof; FIG. 6 is a left side elevational view thereof; and, FIG. 7 is a right side elevational view thereof.

U.S. PATENT DOCUMENTS

- 2,433,587 A * 12/1947 Wentowrth 206/494 X
- D201,462 S * 6/1965 Klein D6/518
- D205,629 S * 8/1966 Hartley D6/518
- D205,721 S * 9/1966 O'Neil D6/518
- D334,498 S * 4/1993 Romme et al. D6/515
- D348,389 S * 7/1994 Nigro D9/319
- D372,386 S * 8/1996 Kuchenbecker D6/518

1 Claim, 4 Drawing Sheets

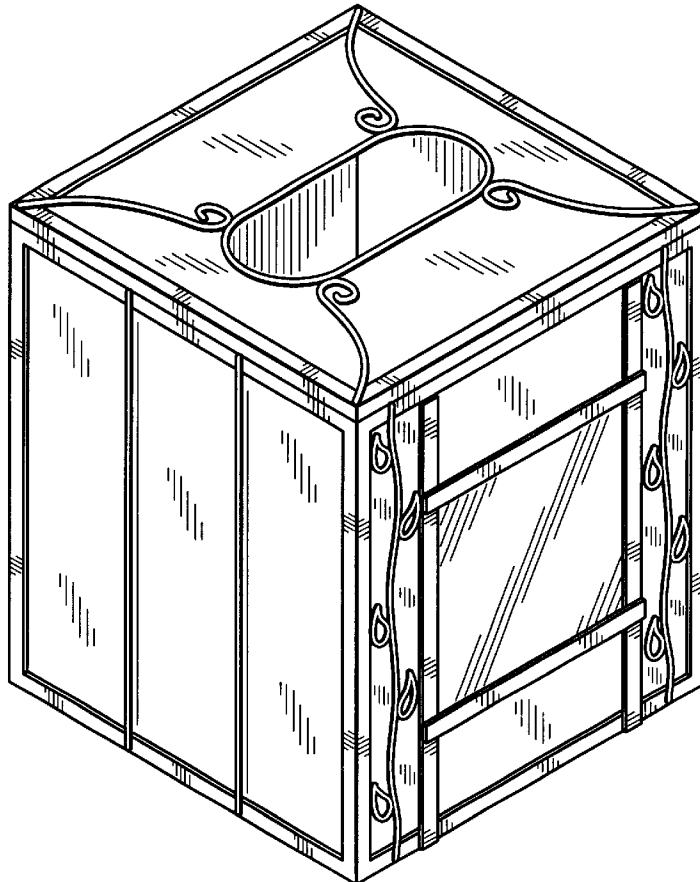


FIG. 1

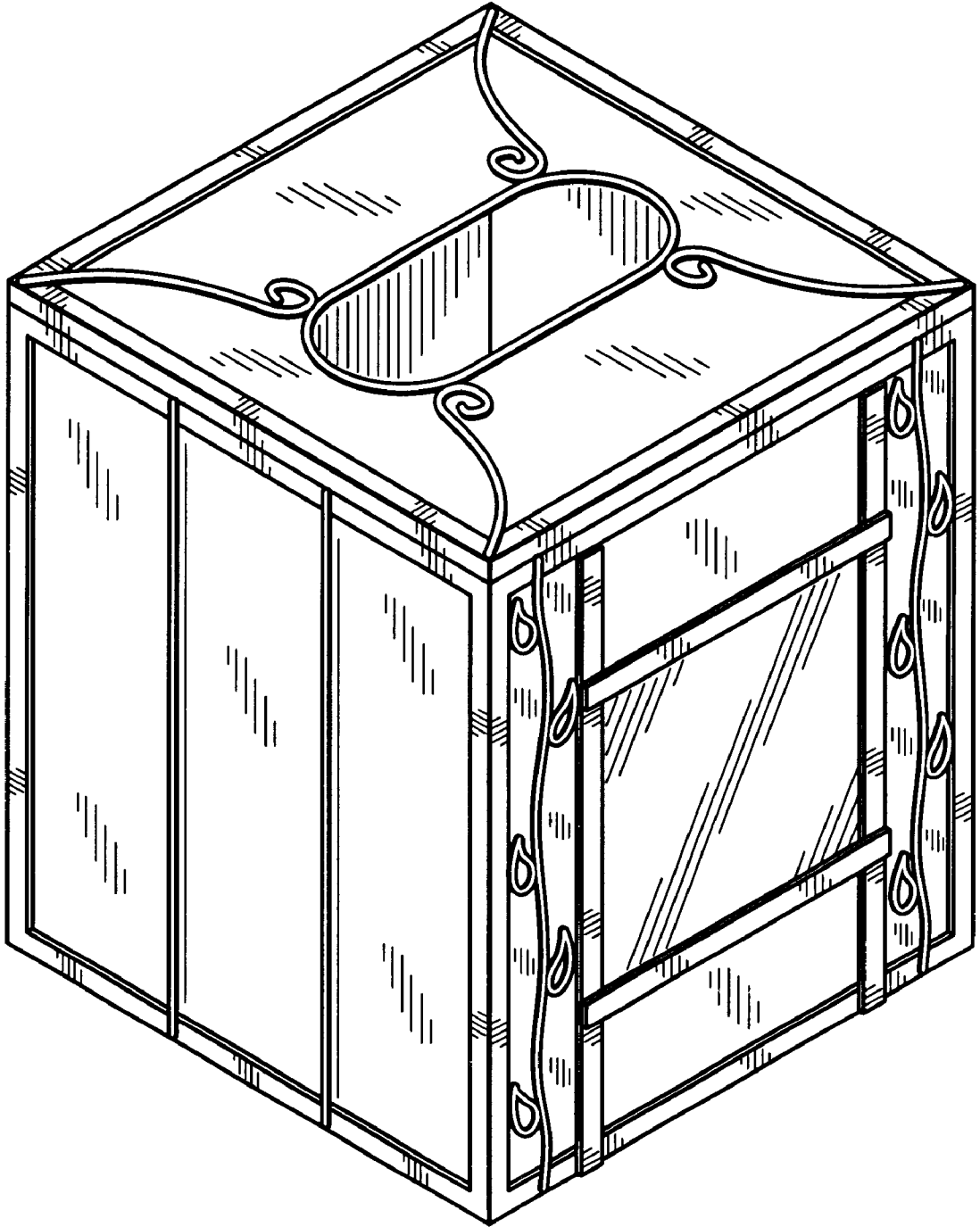


FIG. 2

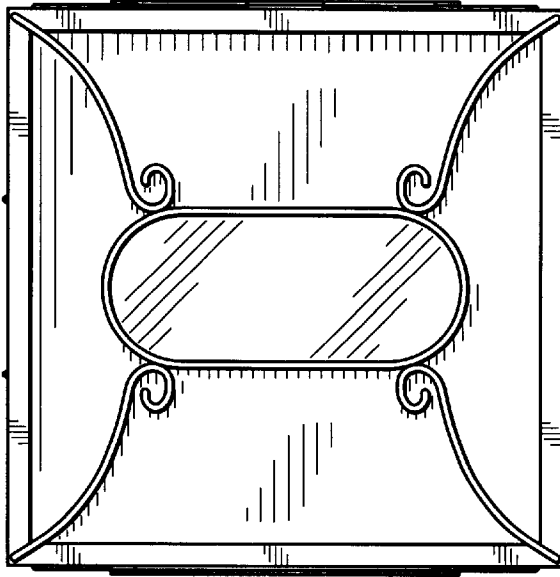


FIG. 3

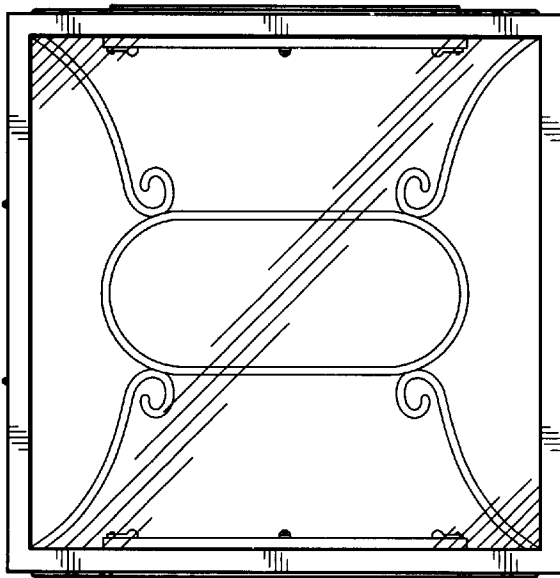


FIG. 4

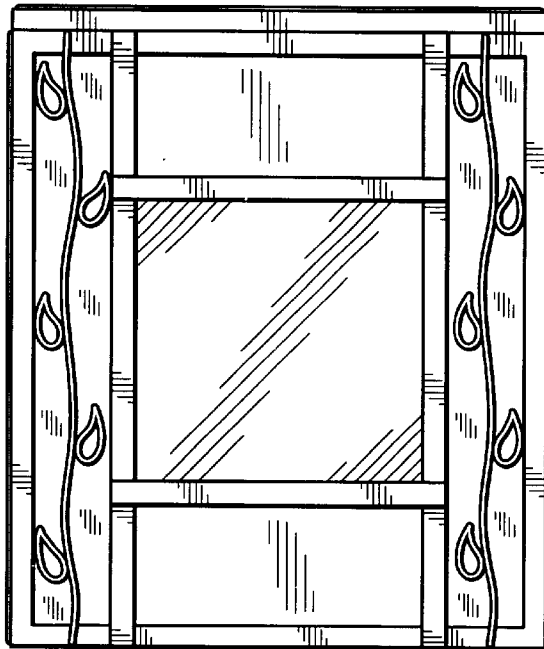


FIG. 5

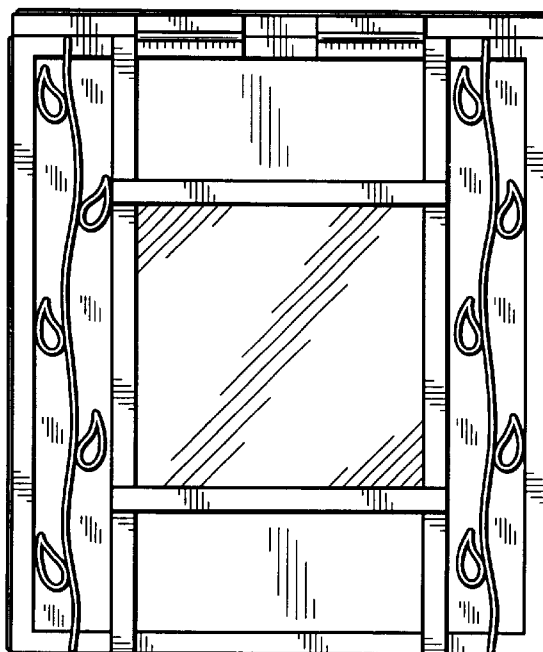


FIG. 6

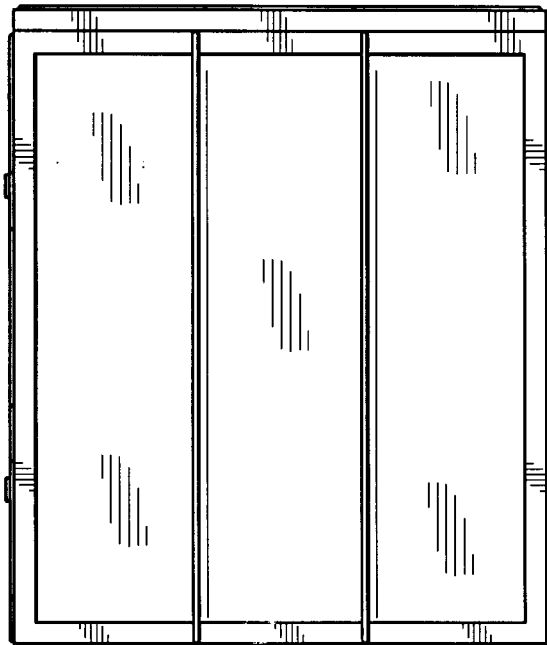


FIG. 7

