



US00D734306S

(12) **United States Design Patent**  
**Appleton**

(10) **Patent No.:** **US D734,306 S**

(45) **Date of Patent:** **\*\* Jul. 14, 2015**

(54) **APPARATUS FOR WIRELESS COMMUNICATION**

(71) Applicant: **Draeger Safety UK Limited**, Blyth, Northumberland (GB)

(72) Inventor: **John J. Appleton**, Northumberland (GB)

(73) Assignee: **Draeger Safety UK Limited**, Blyth (GB)

(\*\*) Term: **14 Years**

(21) Appl. No.: **29/479,168**

(22) Filed: **Jan. 13, 2014**

(30) **Foreign Application Priority Data**

Jul. 22, 2013 (EM) ..... 002278887

(51) **LOC (10) Cl.** ..... **14-03**

(52) **U.S. Cl.**  
USPC ..... **D14/240**

(58) **Field of Classification Search**  
USPC ..... D14/135, 137, 139, 140-140.9, 155, D14/167, 240, 242, 243, 348, 349, 351, 354, D14/355, 356, 357, 358, 385, 433, 435, D14/435.1, 436, 474, 480, 496; D13/103, D13/108, 110, 147; D10/75  
CPC ..... H04L 12/00; H03K 17/00; H04W 88/00; H04W 88/005; H04W 88/02; H04W 88/08; H04W 88/085; H04W 88/10; H04W 88/12; H04W 88/14; H04B 1/38

See application file for complete search history.

(56) **References Cited**

U.S. PATENT DOCUMENTS

D420,361 S *	2/2000	Lutz et al.	.....	D14/242
D438,199 S *	2/2001	Arpe	.....	D14/240
D478,580 S *	8/2003	Schmidt et al.	.....	D14/240
D548,731 S *	8/2007	Liu et al.	.....	D14/240
D598,449 S *	8/2009	Landry et al.	.....	D14/358
D605,643 S *	12/2009	Landry et al.	.....	D14/240
D633,495 S *	3/2011	Yoon et al.	.....	D14/356
D656,126 S *	3/2012	Choi et al.	.....	D14/218
D694,233 S *	11/2013	Hoofnagle et al.	.....	D14/356
D711,359 S *	8/2014	Marzynski et al.	.....	D14/240
D719,939 S *	12/2014	Liang et al.	.....	D14/240

\* cited by examiner

*Primary Examiner* — Eric Goodman

*Assistant Examiner* — Sanjeev Paul

(74) *Attorney, Agent, or Firm* — DLA Piper LLP (US)

(57) **CLAIM**

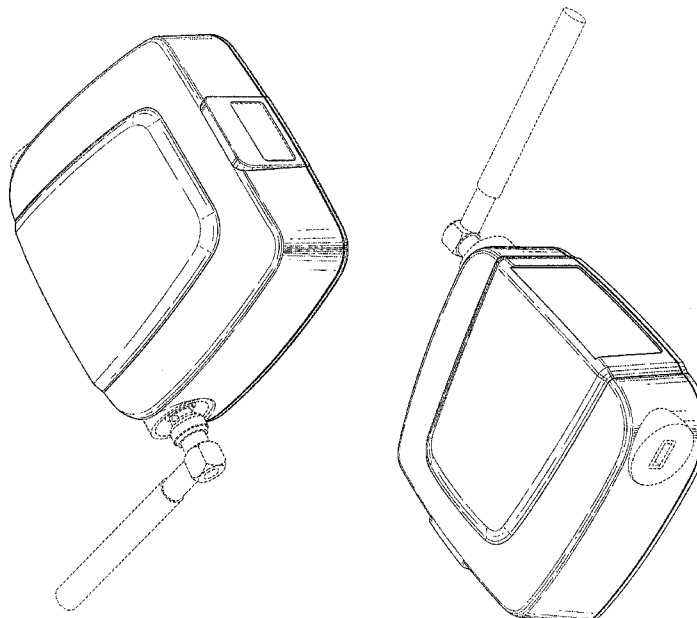
The ornamental design for an apparatus for wireless communication, as shown and described.

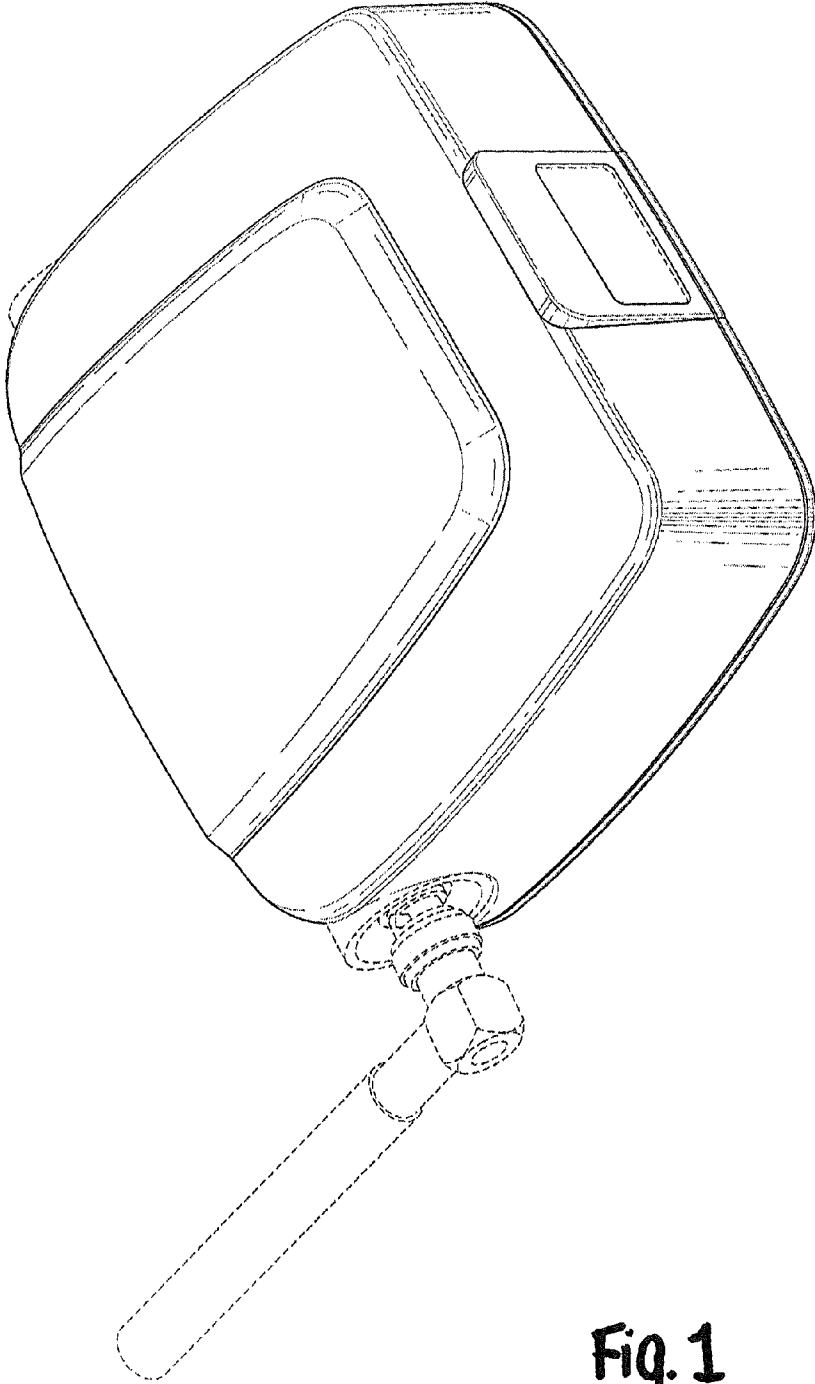
**DESCRIPTION**

FIG. 1 is a bottom perspective view of an apparatus for wireless communication;  
FIG. 2 is a top perspective view thereof;  
FIG. 3 is a right view thereof;  
FIG. 4 is a top view thereof;  
FIG. 5 is a front plan view thereof;  
FIG. 6 is a bottom plan view thereof; and,  
FIG. 7 is a left view thereof.

The broken lines shown in the drawings that are immediately adjacent to the shaded areas, and define an unshaded region, represent the bounds of the claim, while the broken lines within the boundaries are directed to environment. The broken lines and the unshaded regions form no part of the claimed design.

**1 Claim, 7 Drawing Sheets**





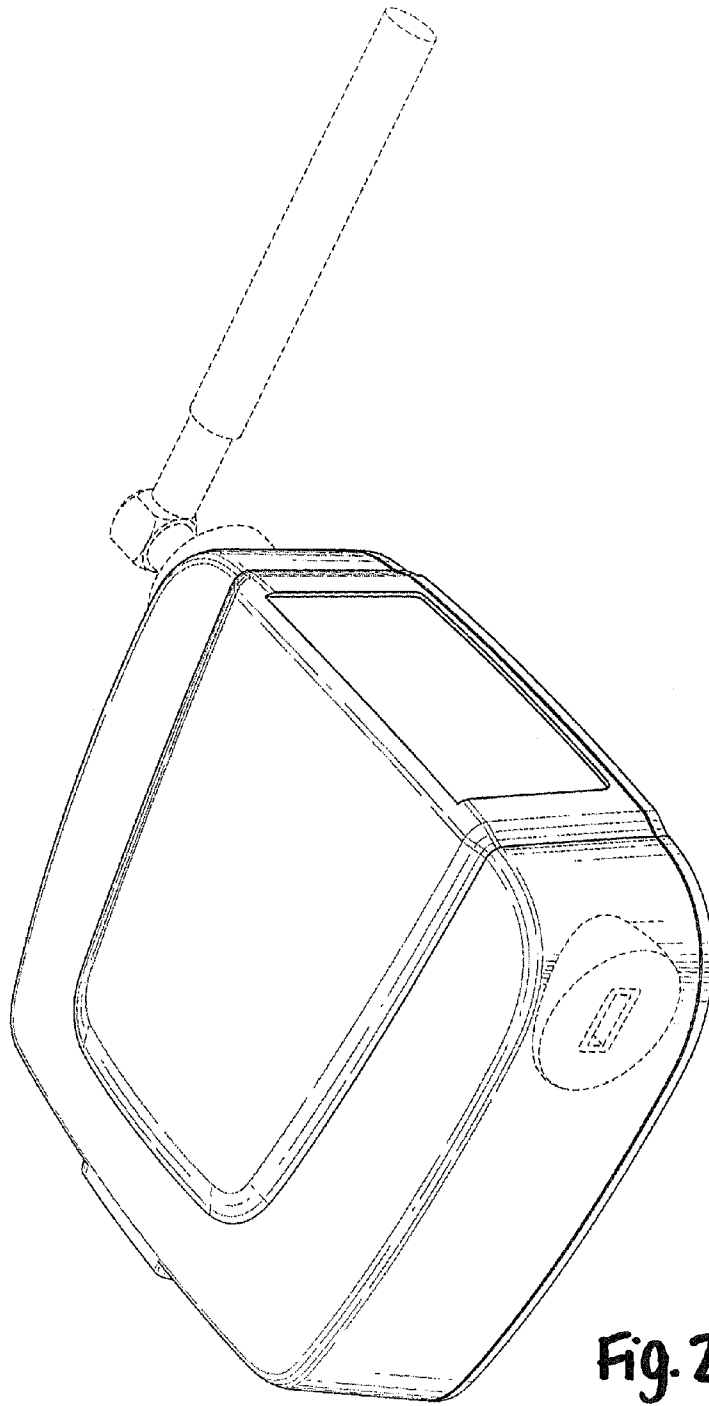


Fig. 2

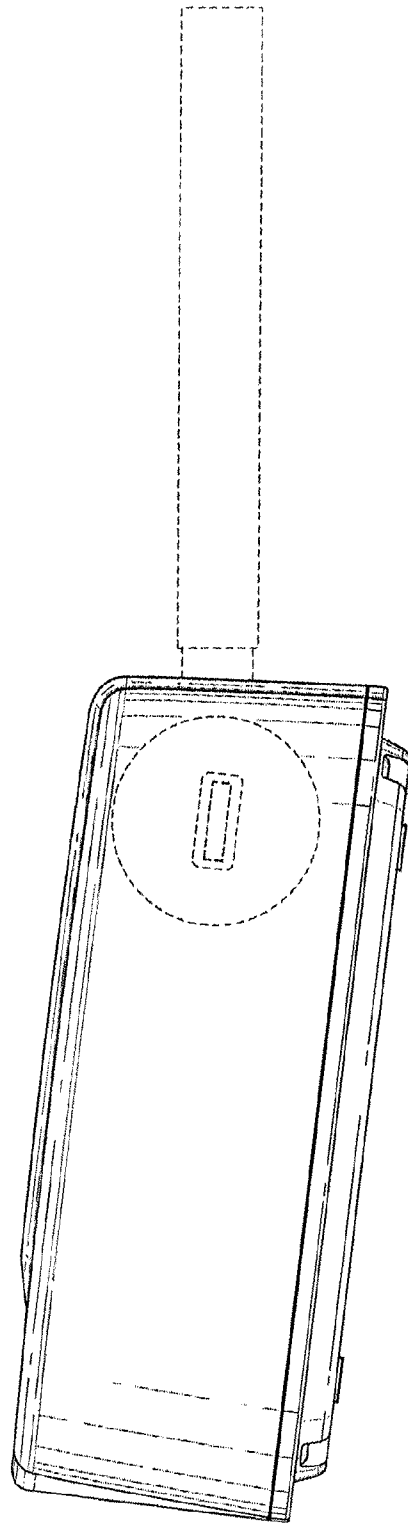
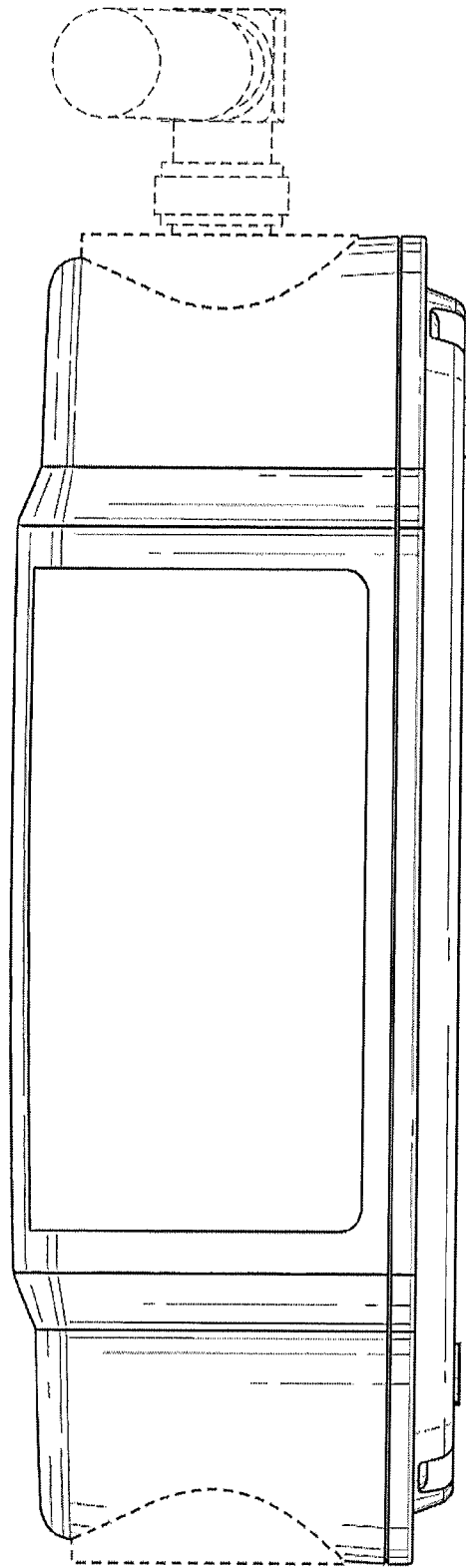


Fig. 3



**Fig. 4**

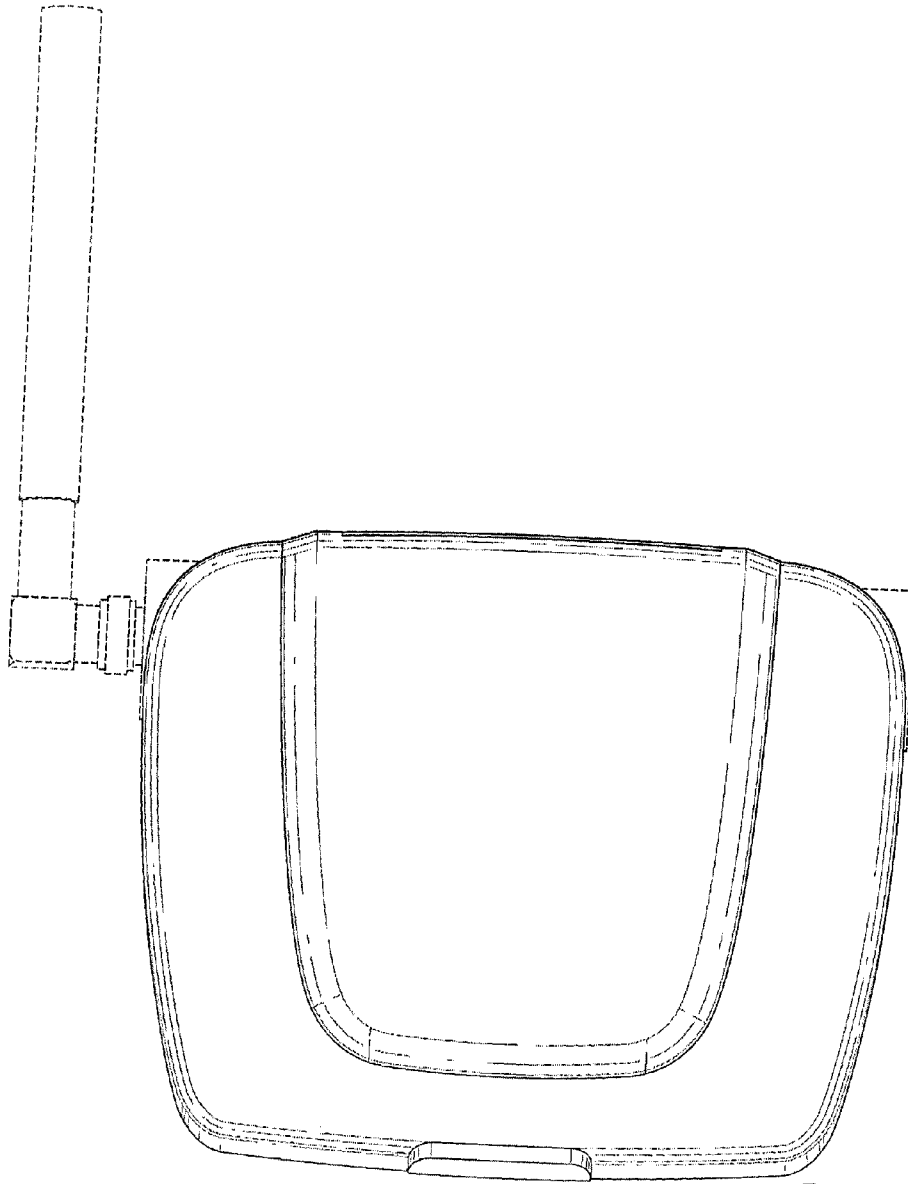


Fig. 5

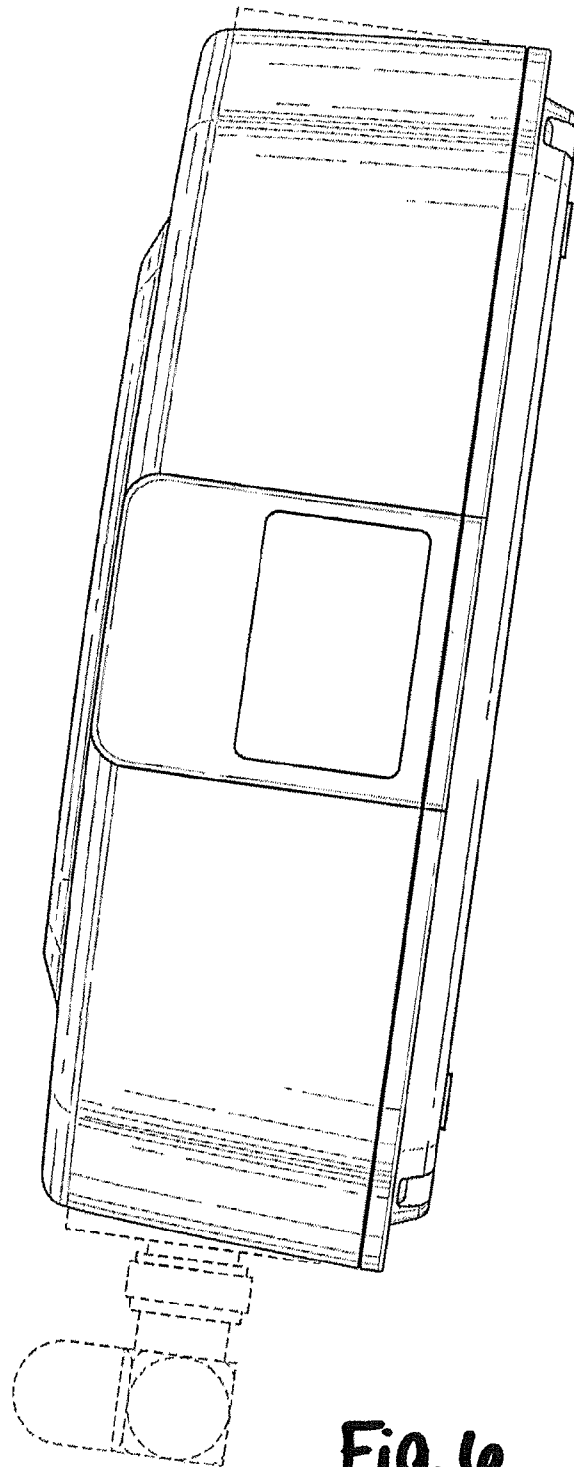


Fig. 6

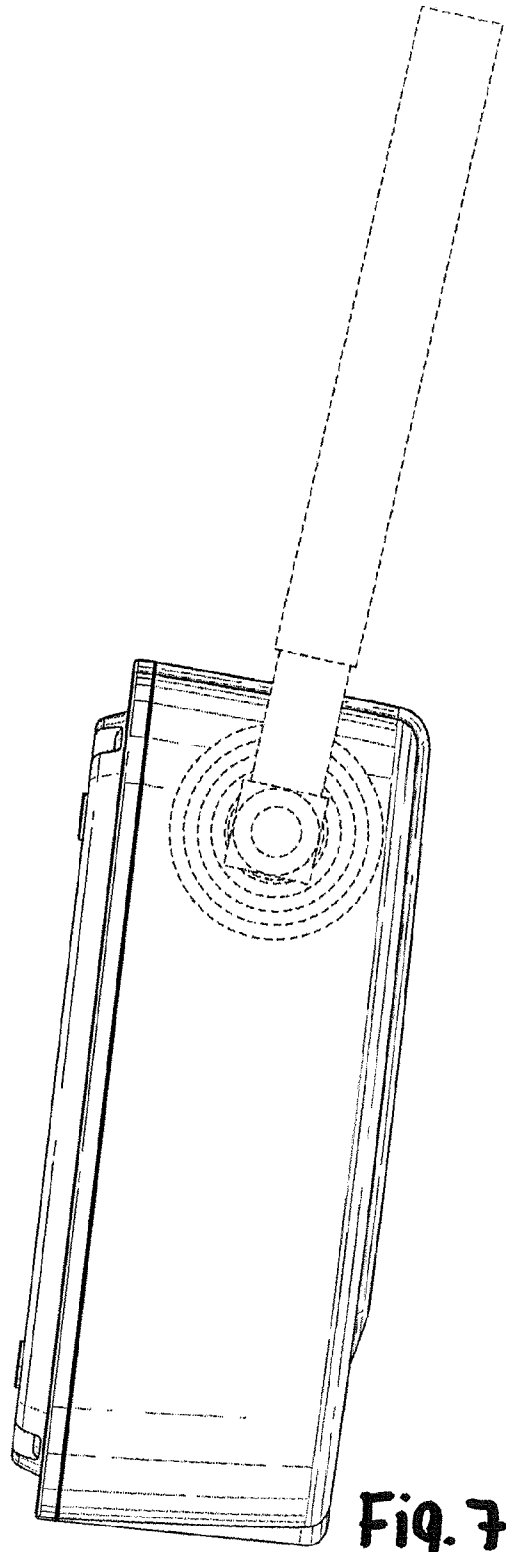


Fig. 7